



**THERE'S ALWAYS ROOM
FOR A COMFORTABLE SEAT**
COMPACTO

*Compact Seats
for Small Tractors*



GRAMMER

New Zealand Sole Distributor | www.retwine.co.nz

REID & TWINAME

IMPORTERS & DISTRIBUTORS



OPTIMUM SEATING COMFORT IN A MINIMUM OF SPACE



All Varieties of Comfort

In small tractor models such as vineyard vehicles and minidiggers, seat comfort often falls by the wayside. The Compacto series is tailor-made to solve this, with three cushion widths available. Despite their small dimensions, they boast all standard GRAMMER suspension, seat and operating features: 80 mm suspension travel, individual weight adjustment, and fore/aft suspension. And to round out the picture: All seats feature an adjustable backrest and mechanical lumbar supports. Additional sitting comfort is provided by optionally available integrated backrest extensions and armrests.

The Simplest Solution is in the Air

The Compacto series with vertical pneumatic suspension features a combined weight-height adjuster: an easy-to-read display lets you make sure that, whatever you weigh, suspension travel stays in the green zone. Seat adjustment is stepless, straightforward, and servo-supported – so you can count on sitting correctly, comfortably and safely, even on bumpy terrain. And it goes without saying that it's ergonomically designed, with comfy, hard-wearing seat covers.

Optimum Sitting – the Mechanical Way

The Compacto range has mechanical rather than pneumatic suspension, but still doesn't skimp on individually adjustable comfort. Simply turn a readily accessible knob to set the seat height to any of three different positions. It's also easy to adjust the weight while sitting, using the front-mounted lever. There's a clear display to let you check your position and ensure that you'll always have adequate suspension travel.

Compacto Comfort W

- 1 Practical, attractive design.
- 2 Tapered seat back for greater freedom of movement.
- 3 Adjustable lumbar support – a feature that not only makes you feel comfortable, but also prevents damage to your spinal disks by optimally supporting your back.
- 4 Adjustable seatback angle.
- 5 Seatbelt (optional).
- 6 Pneumatic suspension with 80 mm travel.
- 7 Lockable fore/aft isolator for improved vibration absorption, especially for situations involving high speeds, auxiliary equipment, trailers or difficult terrain (optional).
- 8 Stepless, servo-supported height adjustment, combined with weight adjustment.
- 9 Fore/aft adjustment over 180 mm range.
- 10 Folding armrests (optional).
- 11 Adjustable seatback height (optional): The height adjusters of the integrated seatback extension can be extended or fully collapsed as required. This prevents back problems caused by bad posture, and keeps you relaxed during long stretches behind the wheel.

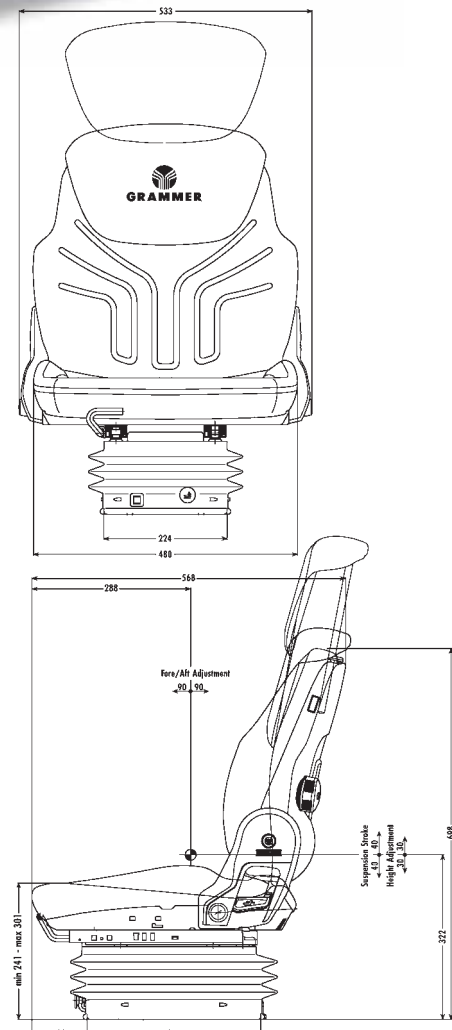


COMPACTO COMFORT W

Pneumatic suspension

FEATURES	Compacto Comfort W	Compacto Comfort M	Compacto Comfort S
Art. no. fabric	1047336	1081367	1081369
Art. no. imitation leather	1047335	1081366	1081368
Suspension			
Pneumatic suspension with 12V compressor	●	●	●
Suspension travel			
80 mm	●	●	●
Weight adjustment			
50-130 kg range (110-286 lbs)	●	●	●
Height adjustment			
60 mm stepless (pneumatic)	●	●	●
Fore/aft adjustment			
Fore/aft isolator	●	○	○
Lumbar support			
Mechanical	●	●	●
Adjustable seatback angle			
Seatback extension	●	●	●
Attachable	○	○	○
Seat width	480 mm	450 mm	400 mm
OPTIONAL FEATURES			
Armrests			
65 mm x 270 mm	○	○	○
Seatbelt	○	○	○

● Standard ○ Optional



Compacto Comfort W

The photographs shown can differ from the serial models.

All measurements in figures in mm. We reserve the right to make technical and dimensional changes.



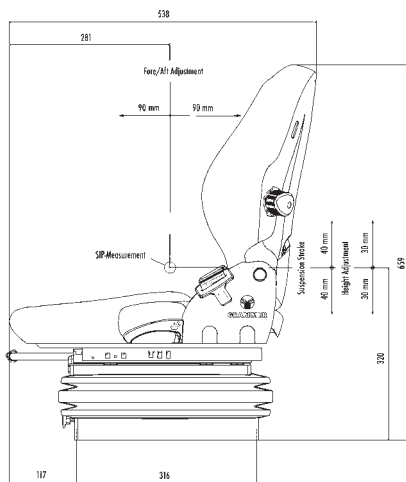
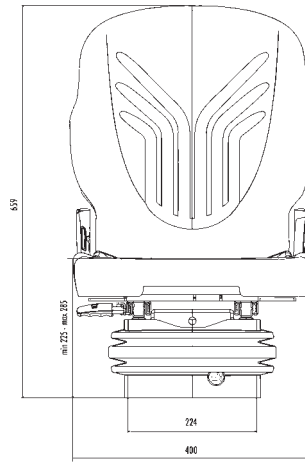
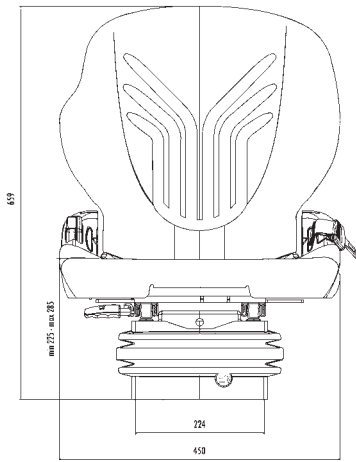
Compacto Comfort W



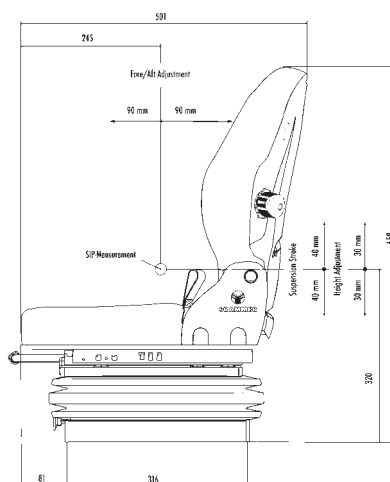
Compacto Comfort M



Compacto Comfort S



Compacto Comfort M



Compacto Comfort S

Compacto Basic W

- 1 Practical, attractive design.
- 2 Tapered seat back for greater freedom of movement.
- 3 Adjustable lumbar support – a feature that not only makes you feel comfortable, but also prevents damage to your spinal disks by optimally supporting your back.
- 4 Adjustable seatback angle.
- 5 Seatbelt (optional).
- 6 Mechanical suspension with 80 mm travel.
- 7 Weight adjustment
- 8 Three-step adjustable height.
- 9 Fore/aft adjustment
- 10 Folding armrests (optional).
- 11 Adjustable seatback height (optional):
The height adjusters of the integrated seatback extension can be extended or fully collapsed as required. This prevents back problems caused by bad posture, and keeps you relaxed during long stretches behind the wheel.



COMPACTO BASIC W

Mechanical Suspension

COMPACTO FEATURES	Compacto Basic W	Compacto Basic M	Compacto Basic S
Art. no.fabric	1047332	1081363	1081365
Art. no. imitation leather	1047331	1081362	1081364
Suspension			
Mechanical suspension	●	●	●
Suspension travel			
80 mm	●	●	●
Weight adjustment			
50-130 kg range (110-286 lbs)	●	●	●
Height adjustment			
60 mm range, 3-step (mechanical)	●	●	●
Fore/aft adjustment	●	●	●
Lumbar support			
Mechanical	●	●	●
Adjustable seatback angle	●	●	●
Seatback extension			
Attachable	○	○	○
Seat width	480 mm	450 mm	400 mm
OPTIONAL FEATURES			
Armrests			
65 mm x 270 mm	○	○	○
Lateral suspension	○	○	○
Seatbelt	○	○	○

● Standard ○ Optional

The dimensions of the pneumatic and mechanical Compacto models are identical.

**Seating systems that keep you fit:
GRAMMER offers state-of-the-art
products for all mobile work-
places - from tractors, construction
machines, and forklift trucks all
the way to trucks, buses, vans,
and trains. Ergonomically de-
signed, they set new standards
of sitting comfort and operating
convenience. Just ask us - we'll be
happy to advise you.**



**Choose the Original
Choose Success!**



GRAMMER

GRAMMER AG Seating Systems • P.O. Box 14 54 • 92204 Amberg, Germany

www.grammer.com