



**SITTING DOESN'T HAVE TO
BE TOUGH ON YOU**

UNIVERSO[®]

*The Universal
Tractor Seat to Suit Every Driver*



GRAMMER

New Zealand Sole Distributor | www.retwine.co.nz

REID & TWINAME

IMPORTERS & DISTRIBUTORS



FIRST, SIT WELL. THEN WORK.



Comfort isn't a luxury — it's vital to your well-being.

The Universo® has all the features that make sitting a pleasure: a tapered seatback for greater freedom of movement, improved lateral support, an optimum seat cushion angle and multi-function ventilation channels. Plus easycare, replaceable cushions, available in waterproof imitation leather or heavy-duty fabric. And optional folding armrests, straightforward weight and height adjustment, and individual fore-aft adjustment — in short, everything you need for a relaxed working posture.

Suspension so good you don't know it's there.

The secret of comfortable, correct suspension is individual adjustment to suit your own weight. The Universo's weight range of 50-130 kg (110-286 lbs) with 80 mm suspension travel minimizes vibrations, while the new hardwearing guide system guarantees a long, reliable service life. There's also a fore/aft isolator to cut vibrations and prevent potentially damaging jolts to your back.

Comfortable sitting is a personal affair. We make it easy for you.

It's easy to adjust the operator weight from a sitting position by turning a crank. Changing the seat height is also straightforward: you simply activate a handle on the rear of the backrest to move the spring-supported adjuster in 20 mm steps, up to a maximum of 80 mm. The fore/aft adjuster makes it simple for you to optimize the seat's position in the vehicle.

Seatback extension

New cover design

In fully waterproof imitation leather or attractive fabric.

Replaceable cushions

Tapered back support

For greater freedom of movement.

Folding armrests (optional)

The wide, cushioned armrests promote a relaxed arm posture and boost your performance.



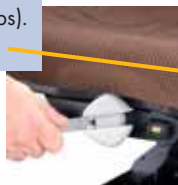
UNIVERSO® BASIC PLUS

Optimum cushion angle

For maximum support.

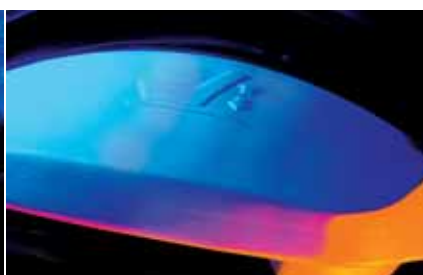
Weight adjustment

The crank is easy to use, and in an ergonomically ideal position. It can be steplessly adjusted from a sitting position to suit operator weights between 50 and 130 kg (110 and 286 lbs). The weight display can be easily read from the front.



Fore/aft isolator

A new dimension in spring suspension. Fore/aft isolator for noticeably improved comfort: separate glide rails with integrated shock absorber units and asymmetrical spring suspension (lockable), to reduce vibrations from high-speed travel, auxiliary equipment, trailers and tough terrain. This minimizes jolting that can damage your back, and promotes safer driving.





Height adjustment

Raise and lower the seat instantly and easily. Height adjustment in 20 mm steps: The handle is in an ergonomically ideal position, letting you adjust the seat with minimum effort – and optimize your sitting position, whatever your height.

Ventilation channels

Multifunction vents for maximum sitting comfort.

Optional seatbelt

Suspension comfort

Customized comfort. 80 mm suspension travel to cut vibrations to a minimum. Plus individual weight adjustment for the ultimate in relaxed, stress-free driving and a truly comfortable ride.

Fore/aft adjustment

Highly stable, hardwearing rails. 210 mm range.

Illustration may deviate from series.





UNIVERSO® BASIC

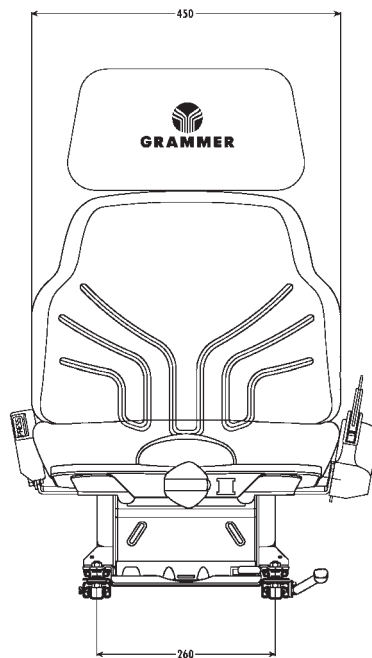
UNIVERSO® BASIC PLUS

Illustration may deviate from series.

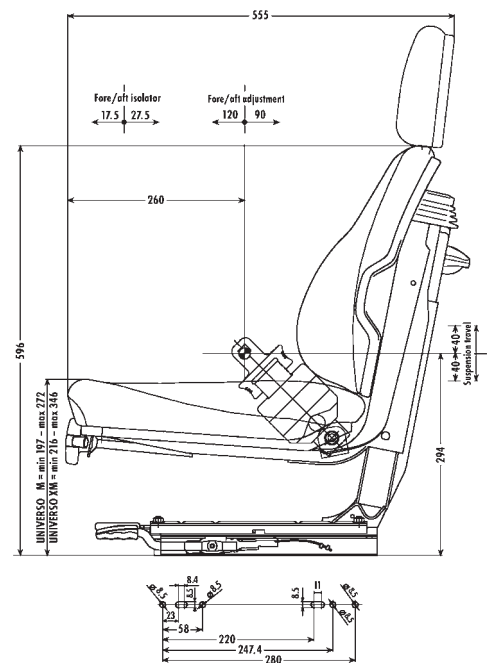
UNIVERSO FEATURES	Basic	Basic Plus
Art. no. fabric	1047388	1047387
Art. no. imitation leather	140578	1047386
Suspension		
Mechanical suspension	●	●
Suspension travel		
80 mm	●	●
Height adjustment		
80 mm	●	●
Fore/aft adjustment over 210 mm range		
Glide rail	●	
Ball rail		●
Fore/aft isolator		●
OPTIONAL FEATURES		
Armrests	○	○
Lap belt	○	○
Mount for angled installation	○	○
Seatback extension	○	○
Seat switch	○	○

● Standard

○ Optional



Front view



Side view

**Seating systems that keep you fit:
GRAMMER offers state-of-the-art
products for all mobile work-
places - from tractors, construction
machines, and forklift trucks all
the way to trucks, buses, vans,
and trains. Ergonomically de-
signed, they set new standards
of sitting comfort and operating
convenience. Just ask us - we'll be
happy to advise you.**

