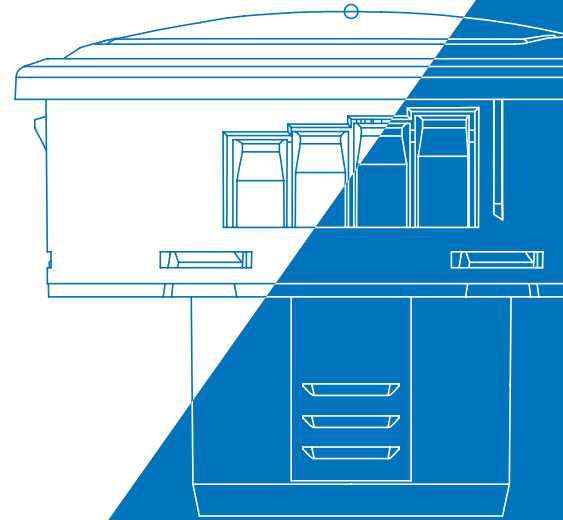




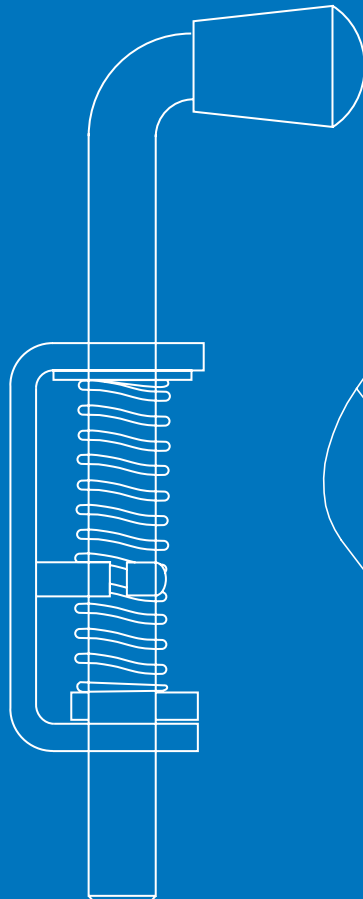
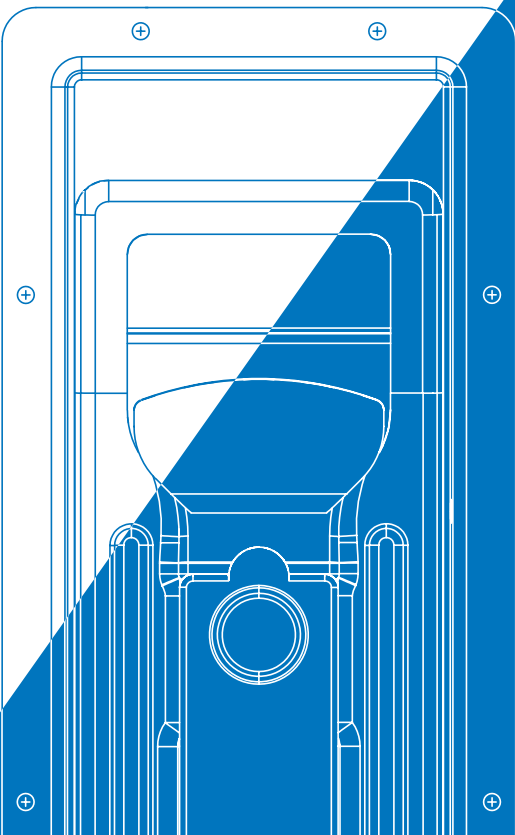
Industrial
& Transport
Engineering
Supplies



INDUSTRIAL & TRANSPORT ENGINEERING SUPPLIES CATALOGUE VERSION 3

MARKET CATEGORIES

- Transport Engineering
- Bus & Coach Builders
- Marine Engineering
- General Engineering
- Industrial Textile Supplies
- Recreational Vehicle Manufacturers
- Sheetmetal
- Agriculture & Industrial Seating



CONTENTS

A	LOCKS	6
B	HINGES	40
C	CATCHES & FASTENERS	58
D	HANDLES	74
E	REDFLAG TOOLBOXES & HYDRAULIC TANKS	78
F	LADDERS	90
G	GAS STAYS	92
H	DRAWERSLIDES	98
I	RUBBER PRODUCTS, SEALS & EDGETRIMS	102
J	WATER TANKS & PUMPS	120
K	VENTILATION	122
L	SEATING & SEATBELTS	142
M	BLINDS	174
N	EMERGENCY PRODUCTS	178
O	MIRRORS	180
P	ELECTRICAL	185
Q	TRANSPORT FABRICS	190
R	MATTING, FLOORING & LINING	202
S	CONSUMABLES	210

ICON KEY

	Universal left & right		Powder Coated		Voltage
	Fire Retardant		Zinc Finished		Opening Degree Angle
	IP65 Water Resistant		Stainless Steel		Warranty
			Aluminium		CAD file available



HISTORY

Reid and Twiname Limited was founded in 1924 as an importer of motor body hardware for the horse & coach, trucking, bus & automotive industries.

The company grew around a range of seat cover fabrics, motor car toppings & leather upholstery fabrics to become a major supplier to the OE & after market in the 1950's. It expanded into canvas & outdoor textiles in the 1970's.

The present owners purchased the business in 1990, grew the business alongside other interests for 10 years then merged all the operations in 2000; expanding further into the marine & outdoor textile market to turn the company into the leader that it is today.



ACTIVITY

R&T is New Zealand's foremost importer & distributor in motor body hardware, automotive, marine & outdoor textiles. It has a range of over 3,000 SKUs from eyelets & washers, through all the fittings & fabric accessories for trucks, buses & cars, to canvas, PVC and outdoor textiles for homes, farms, boats, animals, recreation & industry. It has over 1,000 active customers in any one month, with an average 200 dispatches a day. Its customers are auto, marine & furniture upholsterers, bus, coach, truck & recreational vehicle manufacturers, horse rug manufacturers, clothing & industrial manufacturers and outdoor textile manufacturers like tarpaulin, shade, canvas & horticultural fabricators.

BUSINESS PHILOSOPHY

R&T's core beliefs are around transparency & honesty; working with like-minded customers & suppliers, growing reputable, ethical & sustainable businesses. It has embraced the digital business environment and strives to brand itself as providing unbeatable customer service.

COMPANY STRUCTURE

R&T's head office & principal warehouse is in the central Auckland industrial suburb of Mt Wellington, It also has a substantial branch operation in Sockburn, Christchurch. The company is the most substantial in the industry and employs between 24 & 28 people, has 7 area managers on the road supported by 5 customer service personnel in Auckland & Christchurch. It has the largest operating facilities of any in the industry & in 2012 relocated to a larger warehouse in Auckland. Grant Stewart was appointed Managing Director early in 2012, & Dennis Thorn retains his shareholding and directorship. Pat Hales is Operations Manager & Bernard Rooza, Finance & Administration Manager. Grant Barlow manages the South Island operations.

OPERATIONS

R&T imports its range of products from all around the world as well as trading in locally sourced accessories & trims. It has supply arrangements with over 300 suppliers & manufacturers representing some of the trade's foremost brands. Companies like Spal, GRAMMER, Happich, Albert Jagger, Camira, Kalori, Robbins Auto Tops, & Velcro. These company's products are run alongside a large range of house brands in the automotive & marine fabric & outdoor textile sectors that have over the years become the first choice in the industry. R&T has a 30,000 square foot facility in Auckland & a 10,000 square foot facility in Christchurch, making it the largest in the sector, by some measure. Its import & shipping service providers are the best available, giving R&T a competitive edge. Shipping to New Zealand is worry free with minimal restraints to trade. R&T is a 100% New Zealand owned private company with substantial private backing.



Truck Rear Door Lock Set 27mm Bushed

LKCD27B

- 27mm zinc plated rear door lock set with dee handle and bushed saddles.
- Ideally pair with HG12471ZP hinges.
- Supplied in loose parts without bolts or tube.
- Plastic covered D handle.
- Bushed saddles.



Bloxwich Door Gear 27mm Stainless Steel with D Handle Bushed

LKB2533SS

- 27mm Stainless Steel door lock set
- Grade 304.
- Bushed with D grip handle



Bloxwich Container/Truck Door Bushed Lock 2000 27mm

LKB2000

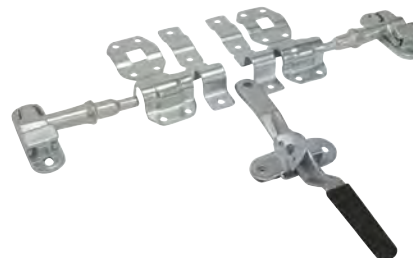
- Bushed 27mm container lock.
- Similar to the B2000 Bloxwich lock set. Quality cam and keeper castings.
- Weight 5.2kgs.
- Supplied in loose parts without bolts or tube.
- Black sleeved handle.
- Zinc plated steel.
- Nylon bushes for saddle points eliminates the chance of rust through metal to metal contact.



Container/Truck Door Lock 2000 27mm

LK2000

- Non - bushed version of the LKB2000, has same cam and keepers. 27mm OD tube.
- Supplied in loose parts without bolts or tube.
- Zinc plated.
- Black sleeved handle.



Container/Truck Door Lock 2500 34mm

LK2500

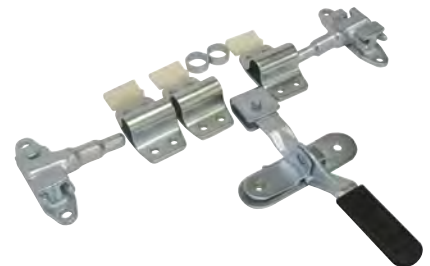
- Heavy duty 34mm lock set mainly used for containers.
- Similar to Boxwich B2500.
- Used with 34 mm OD tube.
- Supplied in loose parts without bolts or tube.
- Zinc plated.
- Used for truck doors or container doors.



Container/Truck Door Lock 1000 22mm

LKBCP1000

- Used with 22mm OD tube.
- Low profile bolt on with robust handed cam & keepers for positive location and strength.
- Black straight handle.
- Zinc plated.
- Low profile, sits 36mm off surface.



Container/Truck Door Lock 1000 22mm

LKBCP1000D

- Used with 22mm OD tube.
- Low profile bolt on robust handed cam & keepers for positive location and strength.
- Black “dee” handle.
- Zinc plated.
- Low profile, sits 36mm off surface.



Recessed Lock Stainless Steel

LKRDL340

- 1.5mm stainless steel recesses door lock.
- Dimensions 340mmL x 160mmW x 35mmH.
- Cut out size 300mm x 125mm.
- Suit 16mm tube.
- Cam and keepers included.
- Lockable.





Products designed and manufactured for van and isothermal vehicles

Products that reach -40°C .

Suppliers to leading commercial vehicle manufacturers, for whom they constantly develop and produce hinges and latches for isothermal vehicles.

They produce recessed and external locks for all pipe diameters universally used; all their locks are made of stainless steel, high-quality finish and great resilience, usable for all purposes.

External locks in stainless steel.

External Push-handle locks.

External locks with seamless external anchors.

Why recessed door locks?

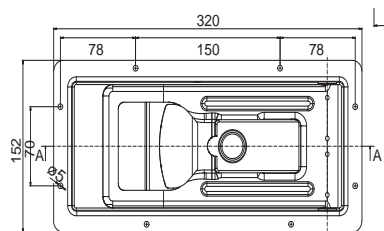
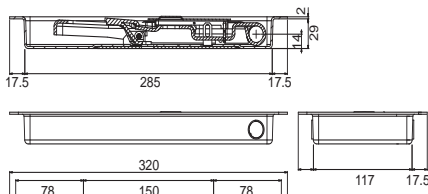
Main advantages of recessed lock for isothermal vehicles manufactured by De Molli

1. No welding
2. High stainless steel thickness
3. Base Anchoring
4. Increased strength

De Molli Recessed Lock Stainless Steel

LKSS90C15101A

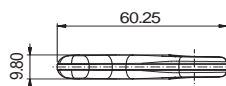
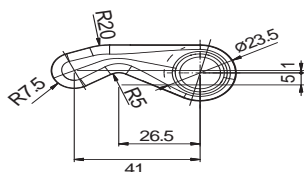
- Designed for 16 mm Pipe. length = 320mm, width = 152mm, recess depth = 29mm.
- Made in Italy.
- Cut out 285mm x 119mm
- Cams and Keepers sold separately.
 - Cam LKSS90A15100
 - Keeper Right LKSS90B15100
 - Keeper Left LKSS90B15101



De Molli Cam For Recessed Lock Stainless Steel

LKSS90A15100

- Made in Italy.



De Molli Keeper for Recessed Lock Stainless Steel

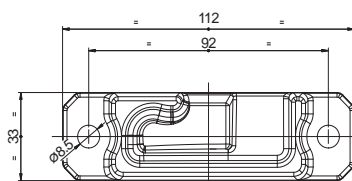
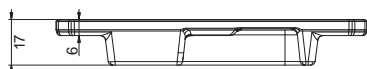
LKSS90B1510_

- Length = 115mm, Thickness = 17mm hole centres = 92mm.
Made in Italy.

Products in the range

Right Hand LKSS90B15100 (shown)

Left Hand LKSS90B15101



De Molli locks replacement Spring Kit

LKSSDMSPRINGS

- De Molli spring kit Stainless steel - Kit works for all De Molli locks stocked by Reid & Twiname.
- Includes 1 x push button spring (shaped), 2 x 35mm lock flap springs, 2 x 90mm lock handle springs.



De Molli Surface Mount SS Lock Handle 27mm

LKSSDSM

- This high quality lockable stainless steel handle is surface mounted to suit 27mm OD tube.
- The key barrel is protected by a spring loaded flap to reduce dirt and moisture build-up. To release the handle press the PUSH flap and pull the black plastic handle.
- Driver friendly closure operation which can be closed when drivers arms are full by leaning against the handle. Cams, Keepers and Saddles sold as a kit separately refer LKSSDSMK .
- Truck door lock designed for freezer/chiller bodies but can be used on most hard surface vehicle doors.
- From De Molli Isothermal range.



De Molli Stainless Steel Cam, Keeper and 27mm Saddle Kit for LKSSDSM

LKSSDSMK

- LKSSDSMK Stainless Steel Cam, keeper, saddle and rings kit to suit LKSSDSM.
- Truck door lock designed for freezer/chiller bodies but can be used on most hard surface vehicle doors.
- From De Molli Isothermal range.



De Molli Surface Mount SS Push Lock Kit 27mm

LKSSDSMK27

- This high quality lockable stainless steel handle is surface mounted to suit 27mm OD tube.
- The key barrel is protected by a spring loaded flap to reduce dirt and moisture build up.
- To release the handle press the PUSH flap and pull the black plastic handle.
- Kit includes cams, keepers and saddles.
- Driver friendly closure operation which can be closed when drivers hands are full by leaning against the handle.
- Truck door lock designed for freezer/chiller bodies but can be used on most hard surface vehicle doors.
- From De Molli Isothermal range.



De Molli Surface Mount SS Push Lock Kit 22mm

LKSSDSMK22

- This high quality lockable stainless steel handle is surface mounted to suit 22mm OD tube.
- The key barrel is protected by a spring loaded flap to reduce dirt and moisture build up.
- To release the handle press the PUSH flap and pull the black plastic handle.
- Kit includes cams, keepers and saddles.
- Driver friendly closure operation which can be closed when drivers hands are full by leaning against the handle.
- Truck door lock designed for freezer/chiller bodies but can be used on most hard surface vehicle doors.
- From De Molli Isothermal range.



De Molli Push Button Stainless Steel

LKSSDSPB

- Replacement push button to work with De Molli recessed and surface mounted lock sets.



De Molli SS D Handle Lever Stay/Holder

LKSSDDHL

- Stainless steel lever stay/holder, lockable, mounts on to door to hold handle in place while vehicle is moving.
- Pair with D handle LKSSDDH27 or LKSSDDH22.



De Molli SS D Handle for 27mm Tube

LKSSDDH27

- D shaped handle to work with lock kit LKSSDSMK or any 27mm tube. Stainless steel, 354mm long 130mm wide handle.
- Pair with fittings LKSSDDHL.



Products in the range

for 22mm Tube LKSSDDH22



Happich Luggage Compartment Lock

LKLUG

- Dimensions: Handle: 158 mm x 94 mm.
- Cut out size: 145 mm x 81 mm.
- Lock depth 47 mm.
- Connects to two rods which operate 2 two stage rotary locks - LKSPL and LKSPR. Rods LKSPCR, Strikers LKSPP. (all sold separately).
- Mostly used for coach luggage compartments, other applications on service vehicle doors. Very secure locking system.
- EPDM moulded rubber seal.
- Complete with barrel and one key.
- Extra keys can be supplied Code LKHLK.
- Replacement barrels Code LKHLC.
- Replacement clips Code LKSPC.



Happich Luggage Compartment Central Locking

LKLUG_V

- Dimensions: Handle: 158 mm x 94 mm.
- Cut out size: 145 mm x 81 mm.
- Lock depth 47 mm.
- Connects to two rods which operate 2 two stage rotary locks - LKSPL and LKSPR. Rods LKSPCR, Strikers LKSPP. (all sold separately).
- Mostly used for coach luggage compartments, other applications on service vehicle doors. Very secure locking system.
- EPDM moulded rubber seal.
- Complete with barrel and one key.
- Extra keys can be supplied Code LKHLK.
- Replacement barrels Code LKHLC.
- Replacement clips Code LKSPC.



Products in the range

12 Volt LKLUG12V

24 Volt LKLUG24V



Happich Luggage Compartment Lock Oval

LKLUGO

- Dimensions: Handle: 203mm x 133mm.
- Cut out size: 145mm x 81mm.
- Lock depth 47mm.
- Connects to two rods which operate 2 two stage rotary locks - LKSPL and LKSPR. Rods LKSPCR, Strikers LKSPP. (all sold separately).
- Mostly used for coach luggage compartments, other applications on service vehicle doors. Very secure locking system.
- EPDM moulded rubber seal.
- Complete with barrel and one key
- Extra keys can be supplied Code LKHLK
- Replacement barrels Code LKHLC
- Replacement clips Code LKSPC



Happich Luggage Compartment Central Locking Oval

LKLUGO24V

- 24 Volt.
- Dimensions: Handle: 203mm x 133mm.
- Cut out size: 145mm x 81mm.
- Lock depth 47mm.
- Connects to two rods which operate 2 two stage rotary locks - LKSPL and LKSPR. Rods LKSPCR, Strikers LKSPP. (all sold separately).
- Mostly used for coach luggage compartments, other applications on service vehicle doors. Very secure locking system.
- EPDM moulded rubber seal.
- Complete with barrel and one key.
- Extra keys can be supplied Code LKHLK.
- Replacement barrels Code LKHLC.
- Replacement clips Code LKSPC.



24v

Happich Lock Key 8888

LKHLK

- Replacement key for Happich locks, key code 8888.
Suits LKLUG, LKLUGO, LKLUG12V, LKLUG24V, LKLUGO24V.



Happich Luggage Lock Cylinder To Suit Key 8888

LKHLC

- Replacement lock cylinder for Happich locks, key code 8888.
Suits LKLUG, LKLUGO, LKLUG12V, LKLUG24V, LKLUGO24V.



Happich Rotary End Catch

LKSP_

- Two stage slam operated rotary lock. For coach luggage compartments. 675kg load rating.

Products in the range

Right Hand LKSPR (shown)

Left Hand LKSPL



Happich Rod clips for Compartment Locks and End Catches

LKSPC

- Plastic rod clips for spagnolet and compartment locks.



Happich Luggage Compartment Lock - Striker Pin

LKSPP

- Striker pin for LKSPL, LKSPP and LKSPPS.
- 60mmL x 25mmW x 23mmH. hole centres 40mm.
- Pin mounted centre of base.



Happich Luggage Compartment Lock Rods

LKSPCR

- Zinc plated connecting rods for luggage compartment locks and rotary end catches.
- 720mm long.



Happich Caravan Door Lock Black

LKCDL2

- Black polypropylene. NZs most popular caravan & motor home door lock. Lockable internally. Handle opens one direction only.
- Cut out Size: 92 mm x 92 mm.
- Exterior Handle: 102 mm x 102 mm.
- Interior: 116 mm x 55 mm.
- Door Thickness: 25 mm up to 39 mm.



Mobile Home Door Lock

LK60250_

- Southco R3 push to close lock. Separate dead bolt, lockable from the inside. Very secure. Max working load 560N.
- Recessed Exterior Handle. Die Cast, Zinc Alloy with a Powder Coat Finish. Lockable deadbolt from the inside as well as the outside.
- Width = 94mm. Height = 114mm. Suitable for door thickness's between 32 and 38mm. Cut out 68mmW x 92mmH, 32mm back from door edge.

Products in the range

White LK60250

Black LK60250BLK



Cast Tipper Locks

LKTL_ _

- Quality European cast tipper lock.
- Used in conjunction with tipper pivots.
- Common on swing hinge doors on tipper truck bodies.



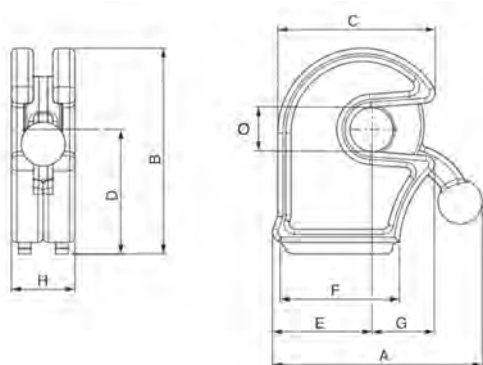
Products in the range

21mm LKTL21

24mm LKTL24

30mm LKTL30

40mm LKTL40



	Dimensions (mm)									KG
	Ø	A	B	C	D	E	F	G	H	
21mm	21	74	88	69	50	42	54	35	26	0.7
24mm	25	104	115	88	69	52	61	32	39	1.67
30mm	31	122	122	97	72	60	82	39	40	2.13
40mm	40	145	138	105	80	58	96	48	46	2.68

Cast Tipper Lock Pivots

LKTL_ _P

- Quality cast steel European tipper lock pivot.
- Used in conjunction with tipper locks.
- Common on swing hinge doors on tipper truck bodies.

Products in the range

21mm LKTL21P

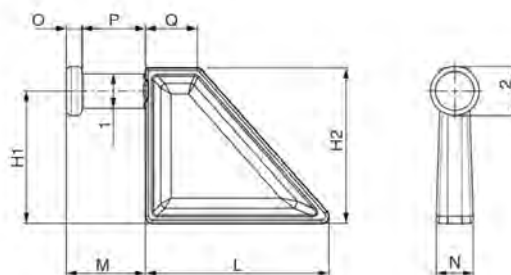
24mm LKTL24P

30mm LKTL30P

40mm LKTL40P



	Dimensions (mm)										KG
	Ø1	Ø2	L	M	N	O	P	Q	H1	H2	
21mm	20	30	94	42	21	10	32	32	62	79	0.60
24mm	24	34	130	55	25	10	45	31	94	110	1.10
30mm	30	41	133	57	34	12	45	50	102	117	2.01
40mm	40	52	132	67	32	14	53	36	100	120	2.30



Light Duty Drop Tee Handle Stainless Steel

LKSS500

- Light duty stainless steel drop tee handle.
- 120mm W x 125mm H locking. Depth 58mm.
- Front fixing pre drill mounting holes.
- Covered lock barrel to prevent debris entering.



Drop T Handle Latch Stainless Steel Stud Fixing

LKSS501

- Heavy duty drop tee.
- 120mmW x 125mmH.
- Locking Depth 68mm.
- Clean face with no mounting holes.
- Studs fixed to rear of pan. 15mm long M6 thread.
- Handle turns clockwise.



Drop T Handle Latch Stainless Steel Heavy Duty

LKSS504

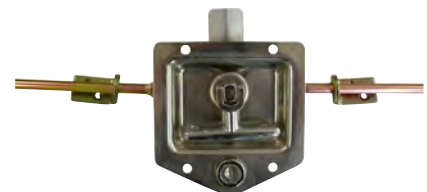
- Heavy duty drop tee.
- 120mmW x 125mmH
- Locking Depth 68mm.
- Handle turns clockwise.
- Front fixing.
- Rubber seal.



Drop T Handle Latch 3 way Latch System Stainless Steel

LKSS561

- Front fixing. 120mmW x 125mmH x 50mmD locking.
- Rod length 1.2m each.
- 2 Rods.
- 2 Keepers.
- Rubber Seal.



Red Flag Replacement Drop Tee Handle Stainless Steel

LKSSRFDROPT

- 120mm W x 125mm H. 58mm depth. Locking.
- Clean face with no mounting holes. Studs fixed to rear of pan.
- Covered lock barrel to prevent debris entering.
- OEM - replacement part for Red Flag Tool Boxes.
- Rubber Seal.
- Not keyed alike.



Fast Lock Drop T Stainless Steel Electronic Central Locking

LKSS505

- IP65 Certified.
- Electric motor actuator is multi volt 12V/24V.
- Integrated design. Quick installation without dismantling the lock. Can be locked and unlocked with key.
- Plug and Play. Plugs and compatible with most aftermarket central locking systems.
- Assembled and tested in Australia.
- Concealed stud fix for security.
- 24 month warranty.
- Keyed alike



Red Flag Whale Tail Compression Lock Chrome, Locking, Padlockable

LKRFWTCP

- OEM Red Flag Whale Tail Drop T Handle - replacement part for some Red Flag tool boxes.
- 142mm x 149.8mm x 68.8mm deep.
- Cut out 107mm x 111mm.
- Chrome finish. Lock and key with the option for a padlock to be fitted as a secondary locking mechanism.
- Compression lock, rear fixing studs.



Industrilas

— When access counts —

Since their startup in 1981, Industrilas has specialized in the production and sale of commercial products such as latches, hinges and sealing technology for industrial applications. They offer a wide range of standard products as well as the development and manufacturing of customized solutions, should you need something to make you stand out and be really memorable - or just something that does not yet exist. All production departments are under one roof, meaning that they control the entire process - from design and manufacturing to surface treatments and assembly. They can definitely help you with your latching solutions!

Industrilas Vector T-Handle Adjustable Single Point Roller Cam

LKVECTF1

- Front fixing, Black handle. Zinc coated steel shaft
- 180 degree adjustable single point roller cam.
- Lockable with an extra pad lock feature, 8mm padlock loop.
- 4mm compression stroke.
- Adjustable cam 10mm - 60mm. (Body and Roller).
- Glass fibre reinforced polyamide (PA6GF30) Black.



Industrilas Vector T-Handle Stud Fixing Adjustable Three Point Roller Cam

LKVECTR3

- Rear fixing cast in stud mounts. Chrome handle.
- Zinc steel shaft with 180 degree adjustable three point roller cam, lockable with an extra padlock loop feature, 8mm padlock loop.
- Lock barrel has a dust cover.
- 4mm compression stroke.
- Adjustable cam 10mm - 60mm. (Body and Roller)
- Glass fibre reinforced polyamide (PA6GF30) Black.
- PUR gasket.
- Can be made into a 3 way lock by inserting a 8mm rod with LKVECA

LKVECTR3KIT includes Rod & Guides



Industrilas Vector Drop T-Handle Stud Fixing Adjustable Three Point Roller Cam Black Handle

LKVECTR3BK

- Rear fixing cast in stud mounts, Black Handle, zinc steel shaft with 180 degree adjustable three point roller cam, lockable with an extra pad lock loop feature.
- Face Size 120mm wide x 131mm high, Cam extends further underneath the face.
- Housing made from Glass reinforced polyamide (PA6)



Industrilas Vector 3 T-Handle Black 3 Point

LKV3MBK

- Black Handle, Zinc coated steel shaft, dust cover for barrel.
- 180deg open rotation.
- Adjustable 3 point roller cam.
- 4mm compression when locking.
- Mounted with rear fixing stud mounts.



Industrilas Vector 3 T-Handle Central Locking 12V BK 1 Point Cam

LKV3BK1PT

- Black handle, zinc coated steel shaft.
- No feedback signal
- Locking & Unlocking,
- Dust cover for barrel.
- 180 degree adjustable single point roller cam.
- 4mm compression when locking.
- Rear fixing mounts.



Industrilas Vector 3 T-Handle Central Locking 12V BK 2 Point Cam

LKV3BK2PT

- Black handle, zinc coated steel shaft.
- Feedback signal open/closed + locked/unlocked.
- Dust cover for barrel.
- 180 degree 2 point cam.
- Mounted with rear fixing stud mounts.

LKV3BK2PTKIT includes Rod & Guides



Industrilas Vector 3 T-Handle Central Locking 12V BK 3 Point Cam

LKV3BK3PT

- Black handle, zinc coated steel shaft.
- No feedback signal - Locking & Unlocking.
- Dust cover for barrel.
- 90 degree anti clockwise open rotation, adjustable 3 point roller cam.
- 4mm compression when locking.

Products in the range

LKV3BK3PTKIT includes Rod & Guides



Industrilas Vector 3 T-Handle Rod

LKV3R1200

- One flat end with eye.
- 8mm x 1200mm long.



Industrilas Vector 3 T-Handle Guide

LKV3RG

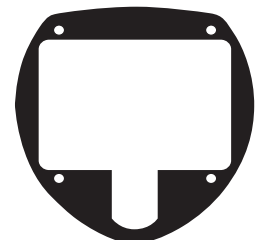
- Guide for 8mm Rod with Bush.



Industrilas Vector Drop T-Handle Seal

LKVECTSEAL

- 2mm EPDM Seal.



Industrilas Vector 2 Or 3 Way Lock Adaptor (For 8mm OD Rod)

LKVECA

- Industrilas adaptor to connect 8mm rods to the rear of the Vector T lock series.
- 35mm x 16mm with 8.2mm hole for rod, hole that mounts on to lock is 6.2mm.
- Zinc finished.
- The adaptor adds 14mm to the total length of rod. Rod needs to be no more than 8mm OD.



Industrilas Compression Latch Sealed Flush Mounted

LKCLIBK

- Latch is sealed against water and dust.
- Adjustable grip range 11 - 28mm.
- Suitable for panel/door thickness up to 7mm.
- IP65 water and dust protection.
- PUR gasket.
- Key can be removed in the open or closed position.
- Glass fibre reinforced polyamide (PA6GF30) Black.
- Keyed alike Key No. CH751.



Industrilas Compression Latch Dust Cover

LKCLIC

- Designed for use with LKCLIBK
- EPDM cover.



Industrilas Compression Latch 3mm EPDM Flat Gasket Seal

LKCLIS

- Designed for the LKCLIBK compression latch. Used to seal the compression lock onto checker plate or an uneven surface.



Industralas
When access counts

COMMERCIAL VEHICLES



A SUITABLE SOLUTION FOR EACH TERRAIN.

Industralas has for many years been an international service partner to the commercial vehicle industry and supplier to specialty vehicle manufacturers. In addition to numerous standard products the Vector latching system was developed for these special requirements, based on practical experiences.

In exterior environments, flush-mounted or recessed latching offer multiple applications. The focus is on panels and housing parts as well as under-body storage boxes. Robust design, vibration resistance and quality materials are particularly characteristic of Industrilas products.

In interior environments, Industrilas specializes in being a development partner for customized solutions. Cabs, cabins or interiors represent particular challenges of functionality and design for latches and hinges.

Industralas components close and seal hatches, doors, panels and maintenance facilities in exterior and interior areas of vehicles.



HEAVY DUTY, HANDY AND PRACTICAL.

Applications for Industrilas products and assemblies are found in many categories such as:

- Caravans and motorhomes
- Municipal vehicles
- Tanker vehicles
- Construction equipment machinery
- Agricultural engineering
- Forestry
- Generators
- Trailers
- Trucks

Targeted advice and specific customer solutions are provided by an internationally experienced development, design and manufacturing team.



Vector[®]



Product lines for hatches, doors, panels and maintenance facilities:

- Flush mounted / recessed latches with compression function
- Flush mounted / recessed latches with slam-latching function
- Vibration-resistant quarter-turn latches
- Quarter-turn compression latches
- Compression latches
- Hinges
- Sealing profiles
- Special solutions



Compression Lock Large Black

LKCLLBK

- Large, very popular, robust key locking (keyed alike) compression lock with black finish, largely used on lockers and toolboxes.
- Adjustable grip range 15mm - 30mm.
- Dimensions 110 mm x 50 mm.
- Keyed alike. Key number ch510.



Compression Lock Large Chrome Plated

LKCLLCP

- Large, very popular, robust key locking (keyed alike) compression lock in chrome finish, largely used on lockers and toolboxes.
- Adjustable grip range 15mm - 30mm.
- Dimensions 110 mm x 50 mm.
- Keyed alike. Key number ch510.



Compression Lock Small Black

LKCLSBK

- Small, very popular, robust key locking (keyed alike) compression lock in black finish, largely used on lockers and toolboxes.
- Adjustable grip range 15mm - 30mm.
- Dimensions 80 mm x 35 mm.
- Keyed alike. Key number ch510.



Compression Lock Small Chrome Plated

LKCLSCP

- Small, very popular, robust key locking compression lock in chrome finish, largely used on lockers and toolboxes.
- Adjustable grip range 15mm - 30mm. Dimensions 80 mm x 35 mm.
- Keyed alike. Key number ch510.



Compression Lock C2 Equivalent

LK10206L

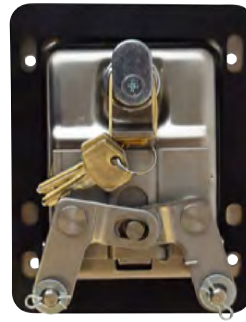
- Equivalent of C2 compression lock. Cut out 25 x 86mm. Overall dimensions 34 x 93mm.
- Black finish.
- Keyed alike. Key number ch751.



Paddle Handle 2 Way Lock Stainless Steel

LKVDSL

- To operate 2 slam bolts with these units the paddle case has an integrated 2-way mechanism, allowing it to be used on slam systems for larger doors, fitted vertically or horizontally.
- Overall Dimensions: 140mm x 108mm. Cut Out Size: 112mm x 85mm.
- Use with slam latches LKV90FB and rods LKV114 or slam latch LKN2477.
- Rods and Slam bolts sold separately.
- Rubber seal.
- Keyed alike FS880.



Lock Rods Zinc Plated for LKVDSL

LKV114

- Overall Dimensions: 915mm long. Slotted one end.



End Slam Bolt 62 x 57mm

LKV90FB

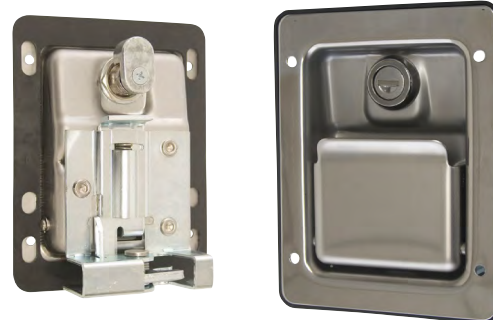
- Use with LKVDSL. Zinc plated steel. Quick fit attachment end. Used with rod LKV114.
- Body length = 62mm Body width = 57mm Depth = 17mm Bolt pull = 13mm.
- Adjustable tongue length.
- Flat tail with rivet.



Paddle Handle Slam Lock SS With Rotary Latch

LK9492

- Stainless steel pan. This 2 stage rotary latch provides very positive slam action and high impact load rating. Heavy gauge materials used in mechanism assembly. Same face plate (pan) as our slam lock LKV388 and two way paddle lock LKVDSL.
- Depth to striker pin centre 30mm. Overall 140mmL x 108mmW x 48mmD. Cut out 112mm x 85mm.
- Rubber seal.
- Antiburst protection prevents accidentally opening through vibration or impact.
- Ideal for large mobile items of plant or equipment.



Striker Pin for LK9492

LK9426

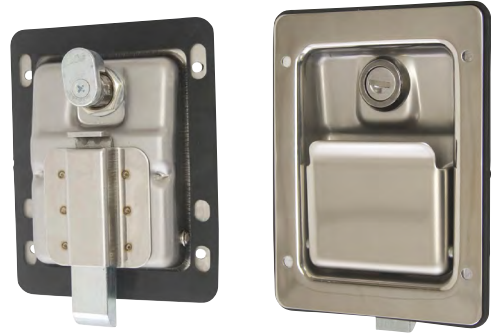
- Length 55mmL x 25mmW x 30mmH. Striker pin diameter 10mm. Hole centres 40mm.



Paddle Handle Slam Lock Stainless Steel

LKV388

- Stainless steel pan and handle. Zinc plated locking mechanism
Single point locking.
- Overall size 140mm x 108mm. Depth 40mm. Cut out 112mm x 85mm. Tongue length 28mm. FS880 key number.
- Rubber seal.



Paddle Handle Slam Lock No Internal Release

LK90710

- Black with Stainless Steel Handle.
- Overall Dimensions: 140mmL x 89mmW. Cut Out Size 110mmL x 60mmW. Height of pan 22mm. Including tongue 38mm. Tongue length 23mm.
- Single point locking.
- Keyed alike 64001.



Paddle Handle Slam Lock with Internal Release

LK90714

- Internal release. Black with Stainless Steel Handle.
- Overall Dimensions: 140mmL x 89mmW. Cut Out Size 110mmL x 60mmW. Height of pan 22mm. Including tongue 38mm. Including internal release 80mm. Tongue length 23mm.
- Single point locking.
- Not keyed alike.



2 Way Rod Latch Zinc Plated

LK18794

- Includes guides, 90 degree handle movement.
- Locked length 2210mm, Open 2160mm, 24mm rod movement each end.
- Used with L or T handle with 8mm shaft.



Plant On Slam Lock 70 x 85mm Right Hand

LK2115R

- Interior use only. Zinc Plated Body with black PVC dip coated handle, malleable iron tongue. Used with L or T handle with 8mm shaft.
- Length of handle and body = 150mm. Body = 70mm. Width = 87mm. Height of body = 16mm. Height of handle = 37mm. Tongue length = 16mm.



Plant On Slam Lock 92 x 66mm

LK2410_

- Zinc Plated pressed steel body with black plastic dip-coated handle, nylon tongue and plastic back plate. Used with L or T handle with 8mm shaft.
- Handle and body length = 182mm length of body = 92mm width of body = 65mm thickness = 27mm height of handle = 46mm. Tongue length = 17mm.



Products in the range

Left Hand LK24101 (shown)

Right Hand LK24102



Industrilas Quarter Turn Wing Knob 18mm Black Lockable (No Cam)

LKIQTL18

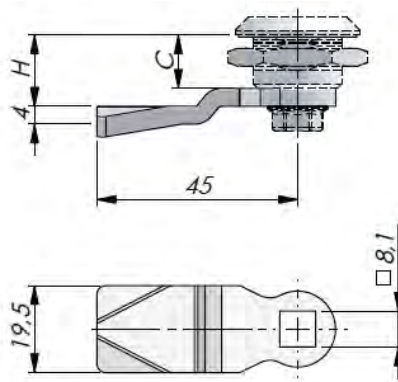
- Black textured powder coated finish. 23.3mm high knob, 18mm housing, standard nut and 2 keys supplied.
- Ergonomic design enables a firm grip when opening. Universal clockwise or counter-clockwise rotation when opening / closing. The key can be removed in both the open and locked position.
- H = 18.
- Keyed alike. Key ILO333.
- 3 cam options available. Sold separately. Choose from 0,6 or 12mm offset.



Industrilas Cam Single Point Flat - 0 mm

LKICAM0

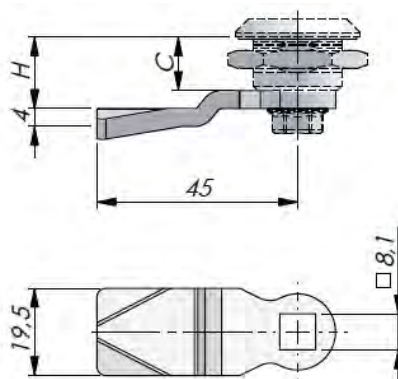
- Zinc plated steel. Works with LKIQTL18 Quarter turn fastener.
- Single point cam without protection.
- H = 18mm.
- Industrilas code 232109-U.
- Cam - 45mm from bolt centre.



Industrilas Cam Single Point - 6 mm Offset

LKICAM6

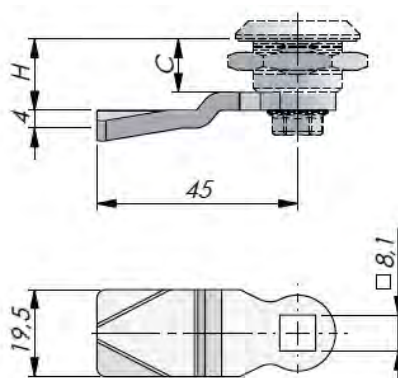
- Zinc plated steel. Works with LKIQTL18 Quarter turn fastener.
- Single point cam without protection.
- Cam = 45mm from bolt centre.
- H = 24mm.
- Industrilas code 232112-U.



Industrilas Cam Single Point - 12 mm Offset

LKICAM12

- Zinc plated steel. Works with LKIQTL18 Quarter turn fastener.
- Single point cam without protection.
- Cam = 45mm from bolt centre.
- H = 30mm.
- Industrilas code 232116-U.



Compartment Lock 180° Turn

LK27900

- Chrome plated complete with two keys. 12mm or 18mm grip.
- Overall length 34mm. Head 25mm diameter. Body 19mm diameter.
- Shuttered barrel ideal for outdoor application.
- Enquire about availability of keyed alike.



Compartment Lock 16mm

LK27B

- Chrome plated body 16mm. Straight cam.
- 2 keys.
- Enquire about availability of keyed alike.



Budget Lock 126 x 27 x 13.5mm

LKBUD

- Heavy duty. Simple dead bolt latch in which the tongue can move 180degrees. Universal fitting, not handed. All steel zinc plated.
- 126mmL x 27mmW x 13.5mmD. Tongue length 20mm.
- Operated by 8mm square tee key, tee handle or L handle.



Budget Lock 85 x 22 x 9.5mm Z/P

LK9656

- Simple dead bolt latch in which the tongue can move 180degrees. Universal fitting, not handed. All steel zinc plated.
- 85mmL x 22mmW x 9.5mmD. Tongue length 17mm.
- Operated by 8mm square tee key, tee handle or L handle.



Escutcheon Covers C/P

HNEC

- Spring loaded escutcheon cover chrome plated.
- Diameter: 29 mm. Fixing Centres: 21 mm.



Tee Key 125mm

HNTEE

- Budget lock key zinc plated.
- Length overall 125mm. Handle length 70mm. Key width 6mm-9mm. Key way length 45mm.
- Suit budget locks LK9656, LKBUD.



Exterior T Handle Chrome Locking

HNBEL3

- Chrome plated die cast Tee boot handle. Hole Centres 44.5mm. Height 54mm. Handle length 100mm. Base length 60mm. Width 30mm. Shaft 8mm x 74mm long.
- Tee handle used on garage doors and general applications.
- Works with plant on slams LK2115R and L also LK24101 and LK24102. Two way rod locks LK18794, budget locks LK9656 and LKBUD.
- Also available as Keyed Alike HNBEL3KA



Exterior Ribbed Lever L Handle Locking

HNLEL3

- Chrome plated die cast lever L handle locking. Hole Centres 44.5mm. Height 48mm. Handle length 115mm. Base length 60mm. Width 30mm. Shaft 8mm 74mm long.
- Handle used on garage doors and general applications.
- Used with two way rod locks LK18794, budget locks and slam locks where external handle is required.
- Enquire about availability of keyed alike.



Our extensive Industrial Textiles range includes quality European awnings and canvas



RECASENS
BCN 1886

RECASENS products use the highest quality raw materials and control procedures during all the steps of the production process.

The high quality of the raw materials used and stringent quality control procedures to which RECASENS canvas are subjected throughout the production process, allows them to offer a 5 year Warranty.

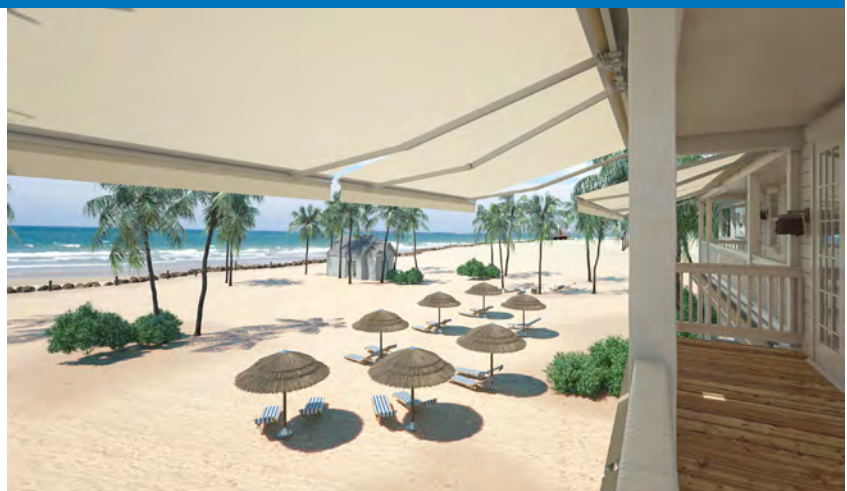
RECASENS high tech spinning mill in Spain has a capacity of over 200 tons per month. Their production capacity is over 9 Million m2 a year of Acrylic fabrics.

RECASENS export 70% of their products to over 70 countries worldwide, with a quarter of that going directly to the United States.



LLAZA brand is devoted to the design, manufacture and marketing of high-quality solar protection systems and accessories.

LLAZA's efforts are centred on exterior solar protection. LLAZA has a wide and varied range of solar protection products, exclusive systems which are designed and manufactured with the latest technologies and in accordance with the strictest European quality standards.



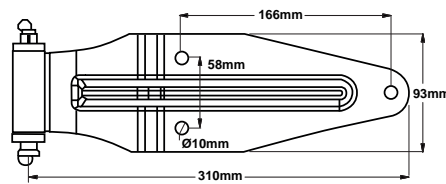
LLAZA systems are manufactured with top quality materials and are the result of significant research and development efforts by the company.

The system is made primarily out of aluminium, which is used in the frame of the awning. Aluminium provides strength, has a long lifespan and is easy to use.

Pressed Steel Bolt On Door Hinge

HGTHU5ZBO

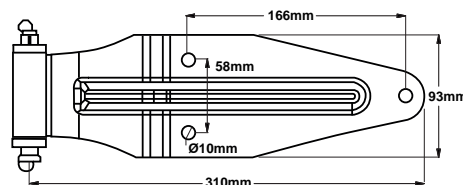
- Zinc Coated Mild Steel hinge 5mm thick.
- Length hinge pin centre to tip = 308mm.
Seal step from leading edge of bracket = 90mm
Across bush flange = 69mm.
- Suited to 75mm pillar applications.
- Supplied assembled (with bracket and bolt).
- Suitable for truck and trailer side or rear doors.



Pressed Steel Weld On Door Hinge

HGTHU5ZWO

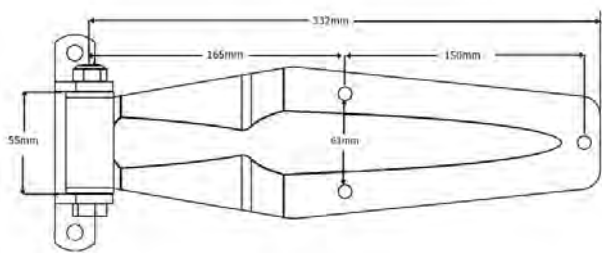
- Zinc Coated Mild Steel hinge 5mm thick.
- Length hinge pin centre to tip = 308mm.
Seal step = 90mm. Across bush flange = 69mm.
- Suited to 75mm pillar applications.
- Supplied assembled (with bracket and bolt).
- Suitable for truck and trailer side or rear doors.



Pressed Steel Heavy Duty Door Hinge

HG60012

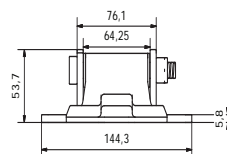
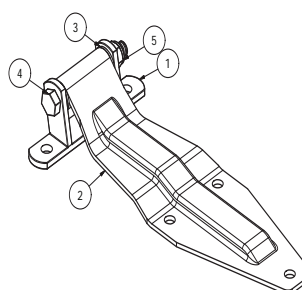
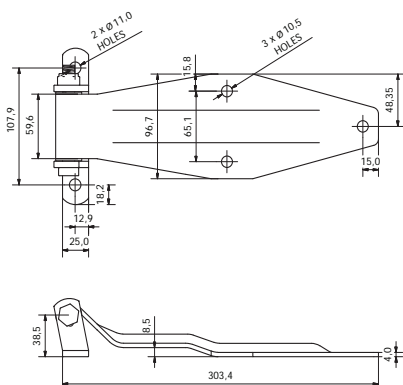
- Zinc Coated Mild Steel hinge 5mm thick.
- Supplied assembled (with bracket and bolt) Suited to 100mm pillar applications.
- Length = 332mm.
Seal step = 110mm.
Width of blade = 88mm.
Height to pin centre = 40mm.
- Bolt on bracket.
- Suitable for truck and trailer side or rear doors.



Pressed Steel Bolt On Door Hinge

HG12171

- Zinc Coated Mild Steel hinge blade 4mm thick.
- Pin hole centre to tip = 300mm. Seal step = 110mm. Across bush flange = 63mm. Centre of two holes to front hole centre 130mm.
- Supplied assembled (with bracket and bolt).
- Suitable for truck and trailer side or rear doors.



Door Hinges

Heavy Duty Door Hinge Zinc Plated Weld On

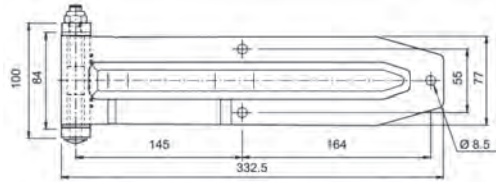
HG12471ZP

- Suit 100mm pillar.
- Straight blade hinge 332mm L, 77mm W, 53mm H, 130mm seal step.
- 5mm plate thickness.
- Supplied assembled (with bracket and bolt).
- Suitable for box and chiller truck bodies rear and side doors.



Products in the range

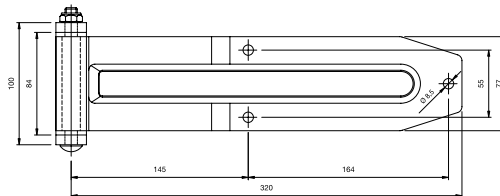
Stainless Steel HGSS90P11700



De Molli Rear Door Hinge Weld On Bracket 90P11700

HGSS90P11700

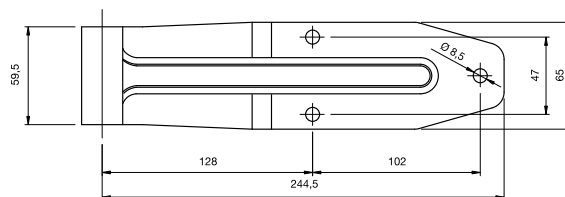
- Suits 100mm pillar, self-lubricating bushes.
- 322.5mm long, blade 70mm wide x 5mm thick, overall 52.5 high.



De Molli Door Hinge Stainless Steel (Blade Only) 90P11800

HGSS90P11800

- 270 degree opening, self lubricating bushes.
- Pin center to tip 245mm, 65mm wide, stainless steel, pair with bracket 90B11810 sold separately.
- Made in Italy.



De Molli Bracket & Pin SS 90B11810

HGSS90B11810

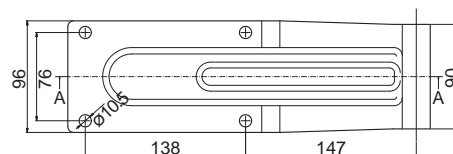
- Stainless steel bracket to match to pair with blade 90P11800 sold separately.
- Flat base bracket complete with pin and nut, designed for pillar minimum width 40mm, maximum width 80mm.
- 127mm wide, 25mm deep by 43mm high.
- Made in Italy.



De Molli Door Hinge SS (blade only)

HGSS90P11100

- Quality stainless steel hinge blade.
Length = pin centre to tip 300mm.
Width = 96mm.
Thickness = 4mm.
Seal step = 130mm.
- Requires bracket HGSS90B11130.
- Made in Italy.



De Molli Weld On Bracket & Pin SS

HGSS90B11130

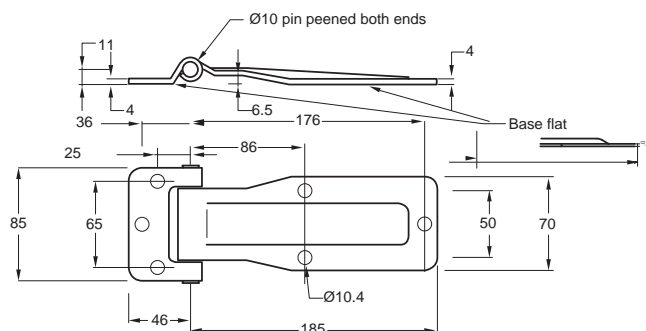
- For use with HGSS90P11100 hinge blade, Stainless steel bracket and bolt.
- Suit blade 96mm across bushes. Weld on style bracket.
- Bracket dimensions 110mm x 25mm x 7mm.
- Made in Italy.



Door Hinge Low Profile Zinc Plated

HG13302

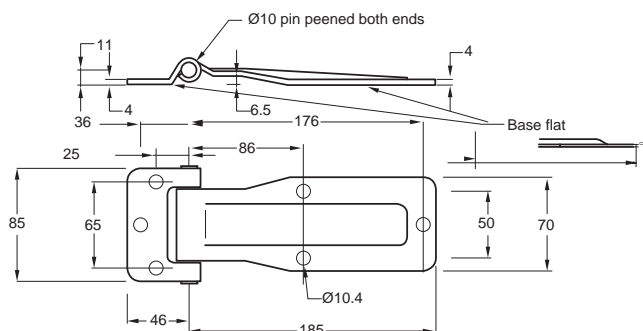
- Pressed Steel 3mm plate.
- Length 233mm.
- Blade width 69mm.
- Base width 85mm.
- Seal step 55mm.
- Height 20mm.
- Designed for 180 degree applications but will rotate through 270 degrees.



Door Hinge Low Profile Stainless Steel

HG13302SS

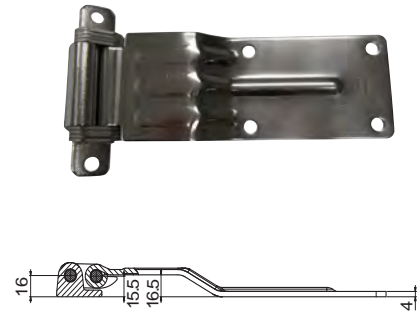
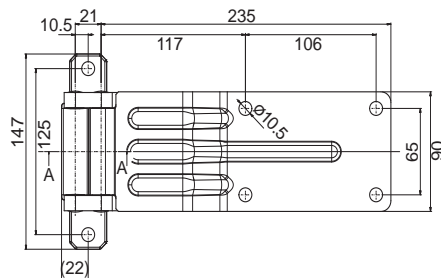
- Pressed Steel 3mm plate.
- Length 233mm.
- Blade width 69mm.
- Base width 85mm.
- Seal step 55mm.
- Height 20mm.
- Designed for 180 degree applications but will rotate through 270 degrees.



De Molli Double Knuckle Hinge SS

HGSS90P12010

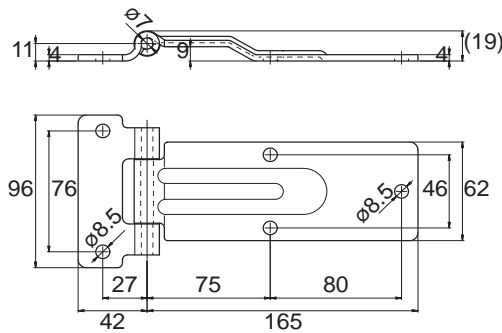
- High quality Italian hinge with bushed knuckle.
- 270 x 90 x 4mm thick blade.
- Profile 25mm, 90mm seal step.
- Made in Italy.



De Molli Door Hinge SS

HGSS90P12300

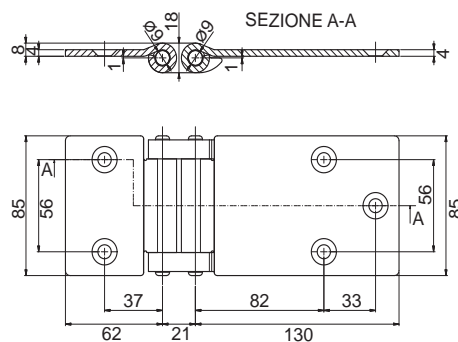
- Quality stainless steel hinge with bushed pin.
- Overall length 207mm. Blade length 165mm. Blade width 62mm. Base width = 96mm. Thickness = 4mm.
- Made in Italy.



De Molli Recessed Double Knuckle Hinge

HGSS90L12100

- Stainless steel double knuckle hinge enables door to fold 180deg with ease.
- Made in Italy.



Medium Pressed Stainless Steel Door Hinge

HGSS2216

- 316 grade stainless steel complete with grease nipple.
- Designed for 180 degree opening but will rotate 270 degree, flat blades.
- 146.5mm x 65mm (plus grease nipple) x 4mm, sits 17mm high.
- CAD file available.



Medium Pressed Zinc Plated Door Hinge

HGZP2216

- Medium pressed steel hinge, zinc plated, clear passivated steel complete with grease nipple.
- Designed for 180 degree opening but will rotate 270 degree, flat blades.
- 146.5mm x 65mm (plus grease nipple) x 4mm, sits 17mm high.
- CAD file available.



Cast Stainless Steel Hinge

HGSS300

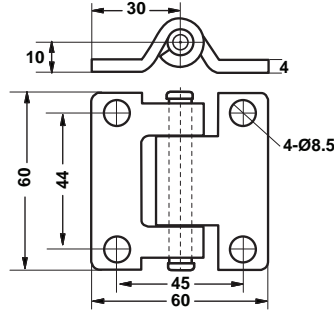
- Stainless steel cast hinge, polished.
- Countersunk holes. 270 degree opening
- 83mm long x 65mm wide x 3mm thick.
- 316 Grade SS



Stainless Steel Door Hinge

HGSS301

- 60mm x 60mm x 4mm.
- Pin size 8mm.
- Robust hinge option for small doors, tool lockers and other light to medium applications.



Bolt on Hinge Set

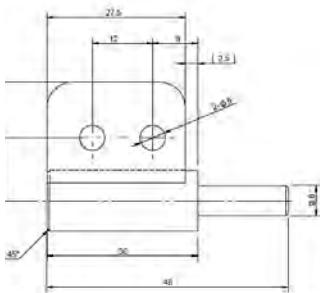
TBH__

- Suits Red Flag Tool Boxes.

Products in the range

Black Powder Coated TBHPCM

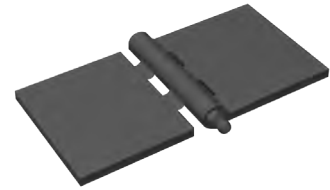
Stainless Steel TBHSS



Industrilas Heavy Duty Weld On Hinge Steel With Grease Nipple

HGFS4

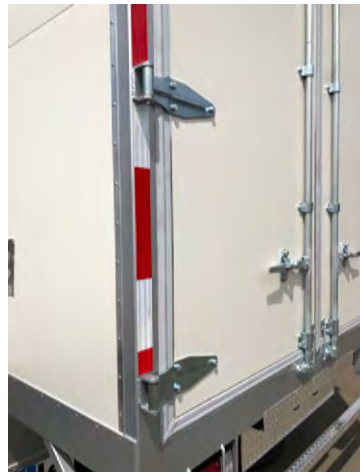
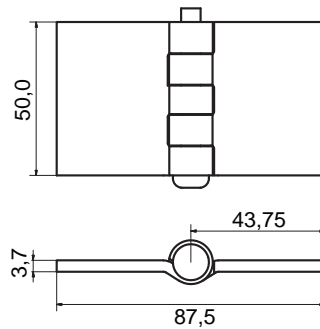
- Made from forged profile steel.
- Designed for train, automotive and general purpose applications.
- 80mm x 160mm open x 6mm.



Flat pressed Steel Hinge 50 x 45mm

HGFS50

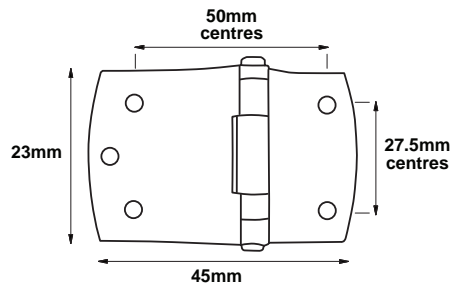
- Strong hinge with 6mm pin.
- Rolled knuckle.
- 250° Opening.



Sprite Caravan Door Hinge

HGSP

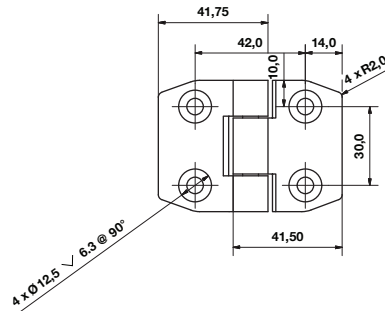
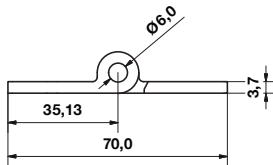
- Ideal for most caravan doors.
Very common hinge for this application.
- Length 70mm. Width 45mm. 260° opening.



Maintenance Free Hinge

HGMF1

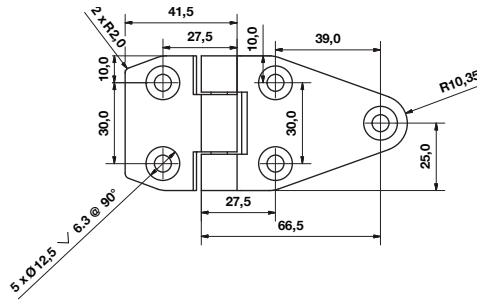
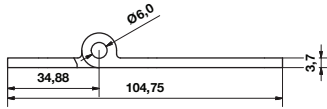
- 250° Opening.
- Dimensions: 70 mm long x 51 mm wide. Closed Profile: 14 mm.
- Hinge, Galvanised Sectioned Steel. Pin, Galvanised with metaloplast sleeve.
- European manufactured.



Maintenance Free Hinge

HGMF2

- 250° Opening.
- Open Dimensions: 105mm long x 51 mm wide. Closed Profile: 14 mm.
- Hinge, Galvanised Sectioned Steel. Pin, Galvanised with metaloplast sleeve.
- European manufactured.



Industrilas Lift Off Hinge Rear Fixing Right Hand

HGLOBRHH

- Industrilas right handed external lift-off hinge
- 180deg Opening,
- 80mm x 65mm.
- Zinc die cast, black texture powder coated.
- Hinge pin and bolts grade 303 stainless steel.
- M8 threaded cast in bolts.
- Nuts & washers not included.



Industrilas Lift Off Hinge Rear Fixing Left Hand

HGLOBLH

- Industrilas right handed external lift-off hinge
- 180deg Opening,
- 80mm x 65mm.
- Zinc die cast, black texture powder coated.
- Hinge pin and bolts grade 303 stainless steel.
- M8 threaded cast in bolts.
- Nuts & washers not included.



Weld On Bullet Hinge Alloy with SS Pin

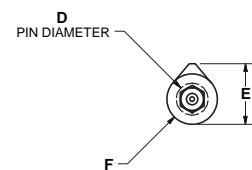
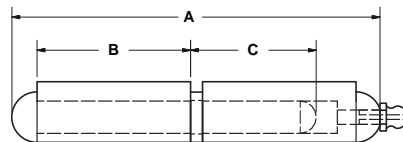
HGWoba_ _

- Alloy hinge with stainless steel pin and brass grease nipple.
- Ideal for toolboxes and lift off doors.

Products in the range

HGWoba100 100mm bullet hinge

HGWoba80 80mm bullet hinge



	A	B	C	D	E	F
100mm	100	41.4	30.5	Ø10	19.6	Ø16
80mm	80	33	21	Ø8	16	Ø13



Weld On Bullet Hinge Steel with Brass Pin

HGWOBS_ _ _

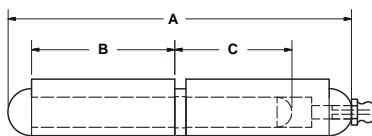
- Steel hinge with brass pin and brass grease nipple.
- Ideal for toolboxes and lift off doors.

Products in the range

HGWOBS120 120mm bullet hinge

HGWOBS100 100mm bullet hinge

HGWOBS80 80mm bullet hinge

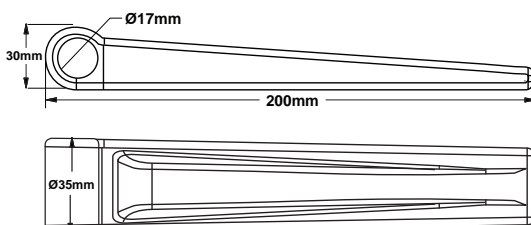


	A	B	C	D	E	F
120mm	120	51	30.5	Ø10	19.6	Ø16
100mm	100	41.4	30.5	Ø10	19.6	Ø16
80mm	80	33	21	Ø8	16	Ø13

Cast Dropside Hinge 200mm

HGDSH

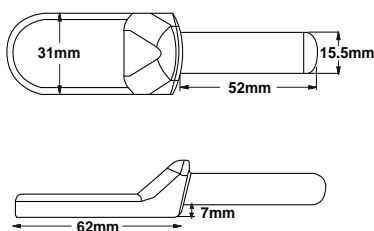
- Italian quality.
- Cast Steel Weld or Bolt on.
- Width 34mm. Height 30mm.
- Designed as heavy duty hinge for tropside trays.
- Paired to HGDSG gudgeon.
- Extremely durable.



Cast Gudgeon pin for HGDSH

HGDSG

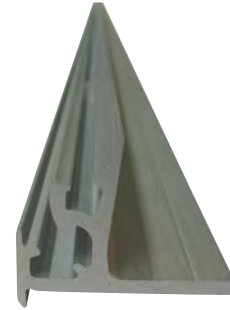
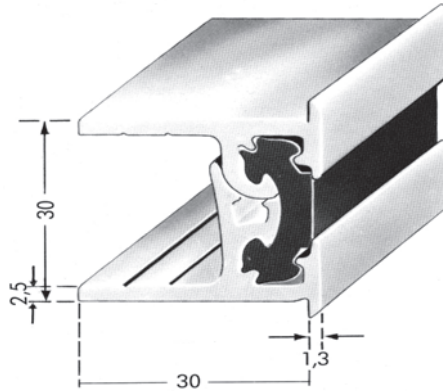
- Italian quality.
- Weldable with 16mm pin diameter.



Happich continuous hinge Lower Hinge Profile 5m

HGLOALB

- Part 1 of 3 parts.
Part 2 = HGLOALT.
Part 3 = HGLOALR.
- Lower hinge section of continuous alloy rubber hinge.
Profile 30mm depth. 30mm width.



Happich continuous hinge Upper Hinge Profile 5m

HGLOALT

- Upper hinge section of continuous alloy rubber hinge.
Profile. 30mm depth. 30mm width.



Happich Hinge Rubber Section Black EPDM

HGLOALR

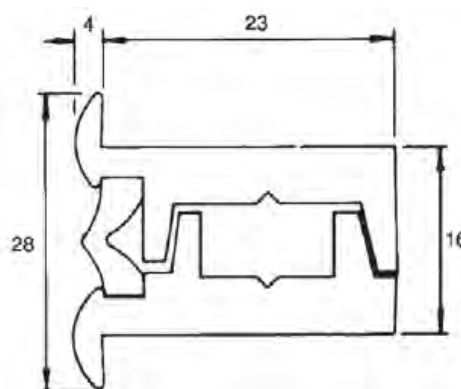
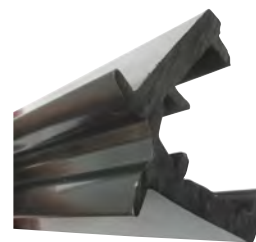
- Rubber hinge section of continuous alloy rubber hinge system and combined hinge/body moulding.
Gives continuous mould appearance along the side of vehicle hiding the locker hinge.
- 100m roll.
- Sold by the metre.
- Use with HGLOALB and HGLOALT above and Happich hinge/moulding combo pages 52 & 53.



1 Pce Extruded Fused Continuous Hinge

HGLOCF_ _

- Black. Co-extruded rigid PVC profiles, fused with molten hinge membrane. Paintable rigid portions.
- Durable - Tested to over 50,000 operating cycles. Secure - Interlocking profile when closed makes for weatherproof hinge point. Aesthetically pleasing - low exterior profile. Concealed fixings. SWL of 100kg per metre mounted horizontally.
- Easy to fit. Corrosion resistant. U.V. light stabilized. Excellent flex life.



Products in the range

HGLOCF 3m length

HGLOCF2 2m length

HGLOCF16 1.6m length



Piano Hinge

HGPS_ _

- Mild steel.
Joint Length - 20mm.
Material Thickness - 1.2mm.
Pin Diameter - 3.18mm.
Length 1800mm.

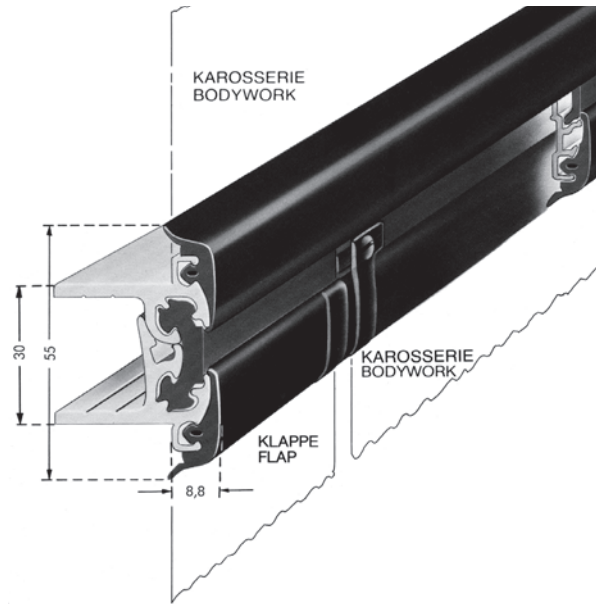
Products in the range

HGPS50 50mm open width 30mm closed width



Happich Continuous Hinges/Body Moulding

- HGLOALF = centre filler section (page 55).
- HGLOALR = Rubber hinge section (page 54).
- MDEC = End cap for body mould (page 57).



Happich Cover Section EPDM Black Combination hinge & body mould

HGLOALC

- Rubber cover section of combined hinge system and body mould. Gives continuous mould appearance along the side of vehicle hiding the locker hinge.
- One of 7 parts.
- Sold by the metre.
- Apply to top and bottom of carrier and hinge profile.



Happich Filler Section PVC Black Combination hinge & body mould

HGLOALF

- Rubber filler section of combined hinge and body mould system. Gives continuous mould appearance along the side of vehicle hiding the locker hinge. 13mm across top, 15mm overall.
- One of 7 parts.
- Sold by the metre.
- Apply to centre of carrier profile.



Happich End Cap Black

MDEC

- Part of a hinge/body mould system.
- Gives appearance of one continuous profile along the side of the bus/coach and hides the locker hinges.



Plate & Spring #121 Zinc Plated

CT121

- Zinc plated door retainer catch plate.
- Suits striker part number CT120.
- 45mmW x 77mmL x 18mmH.



Door Retainer Zinc Plated

CT1_0

- Robust zinc plated cast malleable iron hook with zinc plated pressed steel back plate.
- Zinc plated striker arm to suit catch plate CT121.
- Base 45mmW x 77mmH.

Products in the range

Arm length 100mm CT120

Arm length 150mm CT130



Door Retainer Set Stainless Steel

CTSSDR

- Stainless steel door holder.
- Arm Length: 90 mm. Spring loaded catch plate, comes as a set complete with 2 pvc base plates.
- Catch base 60mm wide, 65mm long.
- Strike base 60mm wide, 80mm long.



Heavy Duty Truck Door Retainer

CTCSTDRH

- Spring loaded door retainer designed for curtain sider doors, aluminium profile with plastic end caps and rubber protective arm.
- 732mm x 337mm x 64mm.
- Compression spring is sealed within the aluminium profile to protect against dirt and dust with "O" rings.
- Adjustable fixing brackets which can be screw or weld mounted to vehicle.
- Stroke approximately 230mm.



Truck Door Holder Large

CTCSDH

- Zinc plated door holder.
- Base 408mm long.
- Overall length 545mm.
- Mounting face to centre of tube 103mm. Centre of tube to door holding point 360mm.



Door Holder Spring Loaded Cast Steel

CT2132

- Door retaining catch heavy duty. Cast steel body zinc plated with zinc plated springs. Complete set.
- Base 65mmL x 29mmW x 43mmH.



Door Holder Spring Loaded White Nylon

CT3700

- Spring loaded catch designed for locker and entrance doors.
- 65 x 30mm. Height Interlocked: 40mm.
- Manufactured in robust nylon. Complete set.



Door Holder Nylon

CT555_ _

- Robust nylon with adjustable holding force. Useful on any type of vehicle with a hinged or sliding door such as horsefloats, vans, motorhomes and caravans. Complete set.
- Length of Female base, 67mm. Male 57mm. Width 25mm. Height Interlocked 42mm.
- Hole centres: Male 41mm, Female 52mm.



Products in the range

White CT555

Black CT555BK



Door Holder Set - Rubber

CT_ _ _

- Acts as a door buffer as well as a holder.
- Ideal for holding in up position a seat on a boat or as a heavy duty door holder. Complete set.
- Rubber Female, Plastic Male. Diameter, 40mm. Height Interlocked, 36mm.



Products in the range

25kg loading CT666

10kg loading CT774



12mm Spring Bolt Zinc Plated

CT837

- Height 34mm. Bolt length 160mm. Bolt Diameter 12.7mm. Bolt travel 27mm, Base width 40mm. Base length 74mm.



12mm Spring Bolt Stainless Steel

CT837SS

- 304 stainless. Height 34mm. Bolt length 160mm. Bolt Diameter 12.7mm. Bolt travel 27mm, Base width 40mm. Base length 74mm.



10mm Spring Bolt Zinc Plated

CT839

- Height 26mm. Bolt length 141mm. Bolt diameter 10mm. Bolt travel 34mm, Base width 40mm. Base length 73mm.



10mm Spring Bolt Stainless Steel

CT839SS

- 304 stainless steel. Height 26mm. Bolt length 141mm. Bolt diameter 10mm. Bolt travel 34mm, Base width 40mm. Base length 73mm.



12mm Spring Bolt Zinc Plated - Long Stroke

CT841

- Height 42mm. Bolt length 215mm. Bolt Diameter 12.7mm. Bolt travel 50mm, Base width 40mm. Base length 116mm.



16mm Spring Bolt Zinc Plated

CT840

- Heavy duty zinc plated 16mm springbolt with 60mm bolt travel.
- Bolt 250mm overall length. Base length 140mm, base width 40mm.



Antiluce Fastener Bolt On 75mm

FTANTI3244

- Zinc plated. 12mm x 58mm thread, 18mm shoulder. 75mm overall. Has keyway machined the length of the thread and a washer with locating tab designed to stop the antiluce turning if product compresses. Toggle to mounting face 7mm. Complete with Nylock nut. Double roll pin can be removed.
- Designed originally for securing lorry side and tailboards, its use has been extended to pallets, transit crates, lockers and a wide range of machinery.



Antiluce Fastener Bolt On 50mm

FTANTI3

- Zinc plated 50mm antiluce fastener. 12 x 50mm thread. Nylock nut. 8mm between toggle and mounting surface. Double roll pin can be removed.
- Designed originally for securing lorry side and tailboards, it's use has been extended to pallets, transit crates, lockers and a wide range of machinery.



Antiluce Fastener Bolt On 25mm

FTANTI3263

- Antiluce 12mm x 25mm thread. 6mm between toggle and mounting surface. Complete with nylock nut. Double roll pin can be removed.
- Designed originally for securing lorry side and tailboards, its use has been extended to pallets, transit crates, lockers and a wide range of machinery.

Products in the range

FTANTI3263 Zinc

FTANTI3263SS Stainless Steel no nut



Antiluce Fastener Weld On

FTANTI2

- Zinc plated, 12.5mm diameter. 12mm pin length. 8mm between toggle and mount surface. Double roll pin can be removed.
- Designed originally for securing lorry side and tailboards, its use has been extended to pallets, transit crates, lockers and a wide range of machinery.



Antiluce Fastener Internal M10 Thread Zinc

FTANTI3240

- Zinc plated antiluce 15.8mm long shank which is internally threaded M10, shank diameter 13.8mm. 6mm between toggle and mounting surface.
- Designed originally for securing lorry side and tailboards, its use has been extended to pallets, transit crates, lockers and a wide range of other products, sideboards, tippers, tail-lifts, trailers and tankers, livestock carriers, sprays, graders, sorting equipment, compactors, shredders, stillages, HVAC, engine covers, hatches and doors.



Floorboard Fasteners 52mm thread

FTFBL

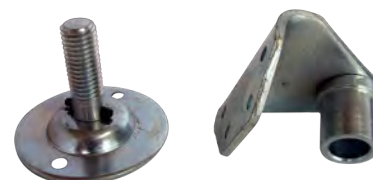
- Floortrap fastener zinc plated steel. Flush mounted. 10mm x 52mm. Slotted head. Robust easy way of fixing down floor panels.
- Fastener head diameter 57.5mm. Base 53mmW x 34mmH x 47mmD.
- 38mm mounting offset.



Floorboard Fasteners 31mm thread

FTFB

- Floortrap fastener zinc plated steel. Flush mounted. 10mm x 31mm. Slotted head. Robust easy way of fixing down floor panels.
- Fastener head diameter 57.5mm. Base 53mmW x 34mmH x 47mmD.
- 38mm mounting offset.



Overcentre Fastener/Side Board Fastener

CTA8

- Designed as a sideboard fastener for dropside decks.
- Also has a popular application as a high load overcentre catch.
- Length 315mm, base 207 x 38 x 5mm, height 40mm. Handle 175mm x 8.5mm.



Over Centre Fastener 701 series locking ZP

LT701L

- Zinc plated over centre fastener with adjustable triangle hold. Padlockable.
- 30mm wide, main body 55mm long, overall 82mm to 88mm depending on adjustment. countersunk holes.
- Use with LT701C Catch plate.



Over Centre Fastener Catch Plate 701 series ZP

LT701C

- Zinc Plated catch plate for use with over centre catch LT701L.
- Base 24mm wide 20mm long, 9mm high with 2 countersunk holes.



Over Centre Fastener 702 series locking ZP

LT702L

- Zinc plated over centre fastener with adjustable triangle hold. Padlockable.
- 32mm wide, main body 65mm long, overall 107mm to 122mm depending on adjustment. countersunk holes.
- Use with LT702C Catch plate.



Over Centre Fastener Catch Plate 702 series ZP

LT702C

- Zinc Plated catch plate for use with over centre catch LT702L.
- Base 30mm wide 23mm long, 12mm high with 2 countersunk holes.



Over Centre Fastener 703 series locking ZP

LT703L

- Zinc plated. With countersunk holes, padlockable.
- Base plate 60 x 40mm.
- Overall length adjustable from 145 to 160mm.
- Use with LT703C Catch plate.



Over Centre Fastener Catch Plate 703 series ZP

LT703C

- Zinc Plated catch plate for use with over centre catch LT703L.
- Base 45mm x 30mm with 2 countersunk holes.



OJOP Latch Padlockable Zinc Plated

LTO703RLC

- Zinc plated with clear passivate. With countersunk holes, padlockable. Base plate 60 x 40mm, overall length adjustable from 145 to 160mm. Load capacity 500kg.
- Use with LTO22C.



OJOP Fastener Striker Plate

LTO22C

- Use with LTO703RLC.
- Base plate 70 x 40mm.



Button For Push Lock Nickel Plated

CTHB

- Threads onto CTHPL push button lock body.
Rosette available for 13mm or 16mm panel thickness.



Rosette Nickel Plated

CTHBR_ _

- Rosette or surround for CTHPL push button lock body.
- Push button CTHB.

Products in the range

13mm Rosette CTHBR

16mm Rosette CTHBR16



Push Button Lock Body

CTHPL

- Only one fitting required for each door.
- Flush fitting when locked. Simple push operation.
- Bush button knob CTHB, rosette CTHBR/16.



Southco Concealed Pull Rings 67-10

CTSC6710

- Suited to the end of a sliding door (cavity slider) where you require a recessed pull.
- 81mm height, 20.5mm wide, 31mm depth.
- Max static load 620N.



Gravelly Fastener Large Chrome Plated Catch

CTGLF

- Base: 25mm x 39mm. Arm: 48mm.
- Swivel fastener.



Gravelly Fastener Large Chrome Plated Strike

CTGLP

- Base: 65mm x 27mm. Fixing Centres: 38mm.
- Swivel fastener base.



Gravelly Fastener Small Chrome Plated Catch

CTGSF

- Base: 22mm x 32mm. Arm: 36mm.
- Swivel fastener.



Gravelly Fastener Chrome Plated Set

CTGCP

- Circular Base.
- Base 48mm. Arm 38mm. 27mm Mounting Centres.
- Swivel fastener and base set.



Quarter Turn Catch

CTSC001

- Black low profile Southco quarter turn lock with cam.
- Grip range 6-8mm. Panel thickness 0-14mm.
- Slot operated, non locking.
- E5-2-005-001.



Quarter Turn Catch

CTSC061

- Black low profile Southco quarter turn lock with cam.
- Grip range 10-12mm. Panel thickness 0-6mm.
- Slot operated, non locking.
- E5-1-005-061.



Flush Pull Locking Latch

CTSCM141

- Black Southco slam latch locking.
- Stainless catch plate and stainless spring and pin.
- 50mm cut out, 61mm overall.
- Panel thickness 2-7mm.



Flush Pull Non-Locking Latch

CTSCM161

- Black Southco slam latch, non locking.
- Stainless catch plate and stainless spring and pin.
- 50mm cut out, 61mm overall.
- Panel thickness 2 - 7mm.



Flush Pull Non-Locking Latch

CTSCM164

- Black Southco slam latch, non locking.
- Stainless catch plate and stainless spring and pin.
- 50mm cut out, 61mm overall.
- Panel thickness 17 - 22mm.



Bonnet Catch Rubber

CTBF5300

- Rubber hold down or bonnet catch. Zinc plated steel mounts.
- Common size of 120mm.





Industrilas
When access counts

WE KNOW THE BUSINESS.

Industrilas specializes in the production and sales of commercial products and system solutions for latches, hinges and sealing technology for industrial applications. We offer a wide range of standard products as well as the development and manufacturing of customized solutions.

ENCLOSURE SOLUTIONS



Solutions for sheet metal and stainless steel applications, enclosures and cabinets.

- Switch cabinet housings
- Machinery manufacturing
- Panels, covers
- HVAC units
- Vehicle bodies
- Urban and city furniture
- Garbage and disposal equipment



Industrilas Quarter Turn Catch Classic 30mm Straight Cam IP65

CTIQTS30

- Industrilas quarter turn fastener with cam, slotted operation, black textured powder coated finish. Flat cam. 30mm housing, standard nut.



Industrilas Quarter Turn Catch Classic 56mm with Cam

CTIQTS56

- Industrilas quarter turn fastener with cam, triangle key operation, chrome finish. 56mm housing, with Cam H measurement 60mm. Standard nut.



Stayput™ Horizontal Nylon Single White

SYHS

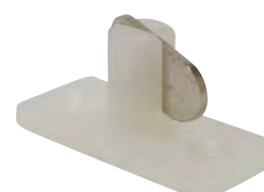
- 25 pack.



Stayput™ Vertical Nylon Single White

SYVS

- 25 pack.



Commonsense Turn Button

CFCTB40_

- Screw base nickel plated.
- Positive locking fasteners that will not open accidentally. Each fastener is assembled with a spring mechanism that holds the fastener under tension in the desired position until turned and released by hand.
- 25 pack.

Products in the range

Single height CFCTB401 (shown)

Double height CFCTB402



Metal Lashing Hooks Small

RPHM1

- Fixing Centres - 28mm. Length - 43 x 22 x 16mm.
- Designed to work with 4mm - 7mm rope or shockcord.
- 25 pack.



Metal Lashing Hooks Large

RPHM2

- Fixing Centres - 35mm. Length - 50 x 27 x 22mm.
- Designed to work with 8mm - 10mm rope or shockcord.
- 25 pack.



Pull Ring Stainless Steel

RPSSPR

- Recessed fold away pull ring.
- Designed for wheel chair ramps.
- 66 x 56mm.
- Recess 12mm.
- Anti Rattle.



Lashing Ring with Plastic Base

RPLRRB

- Plastic base with zinc plated dee ring.
- Approx load rating 250kg.
- Diameter = 102mm. Height = 12mm. Loop width = 50mm.



Lightweight Lashing Ring with Plastic Base SS Ring

RPLRRBSS

- Lightweight lashing ring with plastic base. Base made from black polypropylene,
- 12.6mm thick x 103mm diameter. 10.3mm bolt hole for mounting. SWL 362kgs. Stainless steel ring and clamp.



Lashing Ring Small Single Recessed

RPLRRS

- Zinc plated.
- Dimensions - 102mm x 95mm. Hole Centres - 74mm x 79mm. Recess - 20mm. Cut Out - 72mm x 72mm.
- Anti rattle spring.



Lashing Ring Stainless Steel Small Single Recessed

RPLRSSRS

- Dimensions - 102mm x 95mm. Hole Size - 74mm x 79mm. Recess - 25mm.
- Anti rattle spring.



Lashing Ring Large Single Recessed

RPLRR

- Zinc plated.
- Dimensions - 125mm x 115mm. Cut Out Size - 78mm x 84mm. Recess - 25mm.
- Fixing should comply with the heavy vehicle load code.



2.5 Ton Utility Armour Load Anchor

RPLR2500

- Lashing ring mainly designed for straps.
- 105mm x 108mm, eye diameter 33mm.
- Please ensure fabrication instructions are followed.
- Weld or bolt to surface.
- 2.5 ton load rating stamped and tested.



6 Ton Armour Load Anchor

RPLR6000

- Armour Load Anchor - 6 Ton - Hook for 5/16 chain. 104mm x 130mm, eye diameter 45mm.
- Fabrication instructions on website please follow specifications.



Moulded Grab Rail 300mm

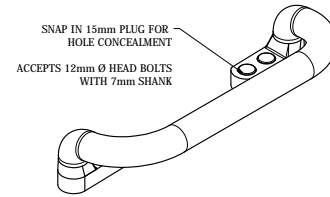
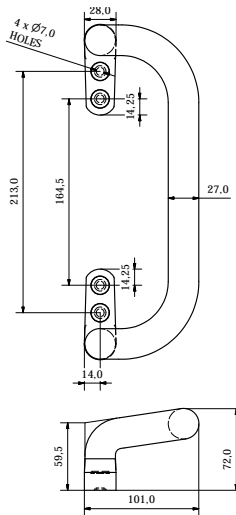
HNGR1225_

- Moulded in expanded polyurethane foam with granular finish over spring steel core.
- Overall length 300mm. Width 102mm. Height 75mm. Hole centres 165mm and 213mm. Thickness 25mm.
- Load rating 377kg before distortion with horizontal fixing. Vertical fixing 363kg before distortion. Recommended safe working load of 250kg.

Products in the range

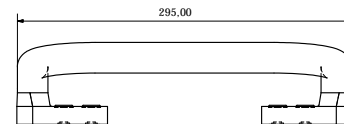
Yellow 300mm HNGR1225Y

Black 300mm HNGR1225



NOTE:

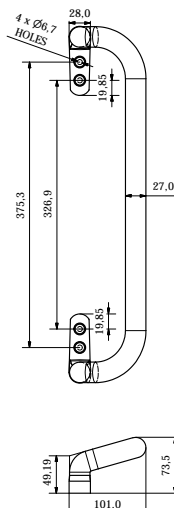
EXPANDED POLYURETHANE FOAM ON A 10mm SPRING STEEL CORE
SEMI GLOSS BLACK FINISH



Moulded Grab Rail Black 475mm

HNGR901226

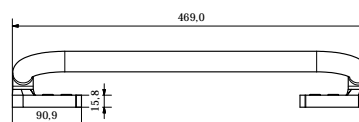
- Moulded in expanded polyurethane foam with granular finish over spring steel core.
- Overall length 475mm. Width 90mm. Height 75mm. Hole centres 327mm and 375mm. Thickness 33mm.
- Load rating 353kg before distortion with horizontal fixing. Vertical fixing 352kg before distortion. Recommended safe working load of 250kg.



SNAP IN 15mm PLUG FOR HOLE CONCEALMENT
ACCEPTS 12mm Ø HEAD BOLTS WITH 6.5mm SHANK

NOTE:

EXPANDED POLYURETHANE FOAM ON A 10mm SPRING STEEL CORE
SEMI GLOSS BLACK FINISH



Grab Handle Die Cast 150mm

HNGR1197

- Chrome plated die cast Grab Handle 150mm overall. Hole centres 130mm. Base width 30mm. Height 35mm.



Pull Handle Plastic Black

HNP0790

- Rigid black plastic handle. Length 246mm. Grip length 155mm. Width 24mm. Fixing centres 203mm. Height 41mm.



Polypropylene Pull Handle

HNPPH

- Black polypropylene handle. Concealed fixing with snap closed covers. Textured finish.
- Overall length 170mm. Width 28mm. Height 40mm. Fixing centres 137mm.



Recessed Handle Black Plastic

HNRH

- Polyoxymethylene used in precision parts requiring high stiffness, low friction and excellent dimensional stability.
- Length 100mm. height 63mm. Depth 25mm. Cut out 73mmW x 43mmH. Fixing centres 80mm.
- Screw cover caps included.



Hand Strap Blue Co Extruded Web with Chrome Clamp

HNHGBL

- Indent only

Exterior T Handle Chrome Locking

HNBEL3

- Chrome plated die cast Tee Boot handle. Hole Centres 44.5mm. Height 54mm. Handle length 100mm. Base length 60mm. Width 30mm. Shaft 8mm 74mm long.
- Tee handle used on garage doors and general applications.
- Works with plant on slams LK2115R and L also LK24101 and LK24102. Two way rod locks LK18794, budget locks LK9656 and LKBUD.



Exterior T Handle Chrome Locking

HNBEL3KA

- Keyed Alike. Chrome plated die cast Tee boot handle.
- Hole Centres 44.5mm. Height 54mm. Handle length 100mm. Base length 60mm. Width 30mm. Shaft 8mm x 74mm long.
- Tee handle used on garage doors and general applications.
- Works with plant on slams LK2115R and L also LK24101 and LK24102. Two way rod locks LK18794, budget locks LK9656 and LKBUD.



Exterior Ribbed L Handle Locking

HNLEL3

- Chrome plated die cast L lever handle locking. Hole Centres 44.5mm. Height 48mm. Handle length 115mm. Base length 60mm. Width 30mm. Shaft 8mm 74mm long.
- Handle used on garage doors and general applications.
- Used with two way rod locks LK18794, budget locks and slam locks where external handle is required.



The Redflag logo features the word "redflag" in a lowercase, sans-serif font. The "red" is in red and the "flag" is in black. A red flag icon is positioned above the "a" in "flag".

QUALITY TOOLBOXES

Exclusive NZ distributors of Redflag truck toolboxes.
Powder coated and stainless steel options both in a variety of sizes.
High quality commercially designed truck toolboxes at very affordable prices.
Engineered for maximum strength.
Robust stylish drop tee locks with dust cover for the key lock fitted to bevel edged door.
Door sealed for protection from dust and moisture.
Both square and angle front styles available.



Powder Coated Tool Boxes

- Quality black powder coated 1.5mm mild steel truck tool box.
- Quality locking drop-t handle with dust cover.
- Box has dust and weather seal fitted.
- Covered lanyard included.
- Spare parts available.



Products in the range

1200L x 500H x 500D TBPC1200

1000L x 500H x 500D TBPC1000

800L x 500H x 500D TBPC800

600L x 400H x 500D TBPC600

500L x 350H x 400D TBPC500

500L x 500H x 500D TBPC500SQ



Powder Coated Tool Boxes with Stainless Steel Lid

- Quality black powder coated 1.5mm mild steel truck tool box with 304 stainless steel polished lid.
- Quality locking drop-t handle with dust cover.
- Box has dust and weather seal fitted.
- Covered lanyard included.
- Spare parts available.



Products in the range

1200L x 500H x 500D TBPCSS1200

1000L x 500H x 500D TBPCSS1000

800L x 500H x 500D TBPCSS800

600L x 400H x 500D TBPCSS600

300L x 500H x 500D TBPCSS300





Stainless Steel Tool Boxes

- Quality 304 stainless steel truck tool box.
- 2B matt finish on body and polished door.
- Quality locking drop-t handle with dust cover.
- Box has dust and weather seal fitted.
- Covered lanyard included.
- Spare parts available.

Products in the range

800L x 500H x 500D TBSS800

600L x 400H x 500D TBSS600

500L x 350H x 400D TBSS500



Angle Front Tool Boxes

- Quality black powder coated 1.5mm mild steel truck toolbox.
- Gas stays are fitted to hold up lid while loading.
- Quality locking drop-t handle with dust cover.
- Box has dust and weather seal fitted.
- Spare parts available.

Products in the range

- 1200L x 500H x 500D TBPCAF1200
- 900L x 500H x 500D TBPCAF900
- 600L x 500H x 500D TBPCAF600



Stainless Steel lids are available as an optional extra for angle front tool boxes

- 1200 stainless lid TBSSL1200
- 900 stainless lid TBSSL900
- 600 stainless lid TBSSL600



Low Profile Powder Coated Tool Box

- Quality black powder coated 1.5mm mild steel truck tool box.
- Designed to fit under decks where clearance is an issue.
- Quality locking drop-t handles with dust cover.
- Box has dust and weather seal fitted.
- Covered lanyard included.
- Spare parts available.



Products in the range

1200L x 350H x 500D TBPC1200N

1000L x 350H x 500D TBPC1000N

800L x 350H x 500D TBPC800N



Cube Tool Boxes

- Quality black powder coated toolbox.
- Quality locking drop-t handle with dust cover.
- Box has dust and weather seal fitted.
- Covered lanyard included.
- Spare parts available.



Product in the range

500L x 500H x 500D TBPC500SQ



Double Door Tool Box

- Quality black powder coated toolbox with Stainless Steel doors.
- Quality locking drop-t handles with dust cover.
- Box has dust and weather seal fitted.
- Covered lanyard included.
- Spare parts available.



Product in the range

1200L x 500H x 500D TBPCSSDD1200



Wheel Arch Tool Boxes

- Door is stepped down 110mm from top allowing for the toolbox to be tucked up behind the tie rail.
- When looking straight at the end of the axle a left hand box will be on the left side, a right on the right side. Left hand shown.
- Quality locking drop-t handle with dust cover.
- Box has dust and weather seal fitted.
- Covered lanyard included.
- Spare parts available.



Products in the range

600L x 400H x 255D Left Hand (solo image) TBPCWALH

600L x 400H x 255D Right Hand (shown below on ute) TBPCWARH



HD Tool Boxes Aluminium Box with SS Lid

- 3mm Aluminium body with stainless steel doors. Hinged one each side for doors opening left and right. 2 Chrome whale tail drop T handle locks.

Products in the range

1300L x 500H x 500D Double Door TBALSSDD1300

1200L x 500H x 500D Double Door TBALSSDD1200

900L x 500H x 500D Double Door TBALSSDD900



Accessories and Spare Parts

Mounting Brackets

- Black powder coated.
- 75mm x 4mm C section.
- 500mm x 500mm cross braced.



TBBKT

Red Flag Replacement Drop Tee Handle Stainless Steel

- 120mm W x 125mm H. 58mm depth. Locking.
- Clean face with no mounting holes. Studs fixed to rear of pan. Covered lock barrel to prevent debris entering.
- OEM - replacement part for Red Flag Tool Boxes.
- Not keyed alike.

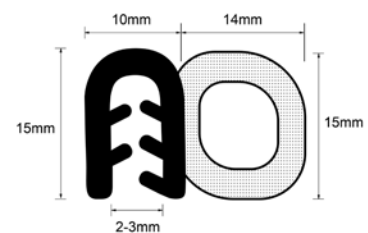


LKSSRFDROPT

Replacement Toolbox Door Seal

- Sold in 5m increments.
- 50m roll.

WNRFDS



WNRFDS

Replacement Gas Stay for Angle Front Tool Boxes

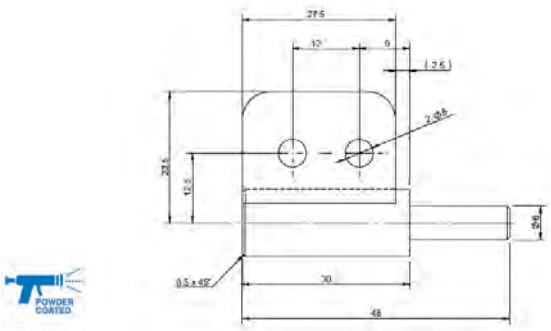
- Length 315mm. Stroke 125mm. Force 180N. Shaft 6mm 15mm cylinder.
- Gas stays carry 2yr warranty.

GASS315180



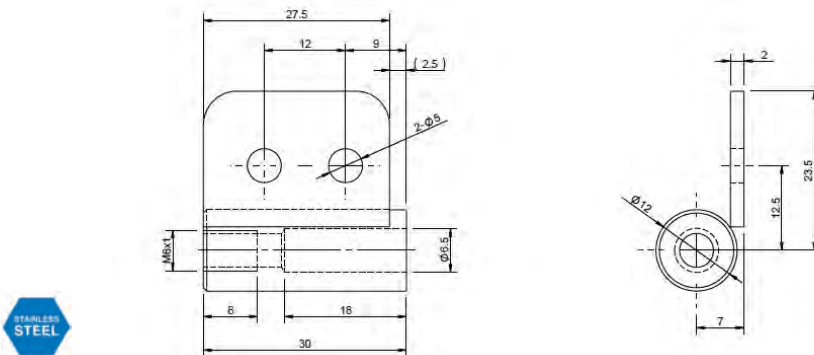
Bolt on Hinge Set Black Powder Coated

TBHPCM



Bolt on Hinge Set Stainless Steel

TBHSS



Red Flag Whale Tail Compression Lock Chrome, Locking, Padlockable

LKRFWTCP

- OEM Red Flag Whale Tail Drop T Handle - replacement part for some Red Flag tool boxes.
- 142mm x 149.8mm x 68.8mm deep.
- Cut out 107mm x 111mm.
- Chrome finish. Lock and key with the option for a padlock to be fitted as a secondary locking mechanism.
- Compression lock, rear fixing studs.



Red Flag™ Tool Box Double Door SS Lid Set

TBDDSSLS

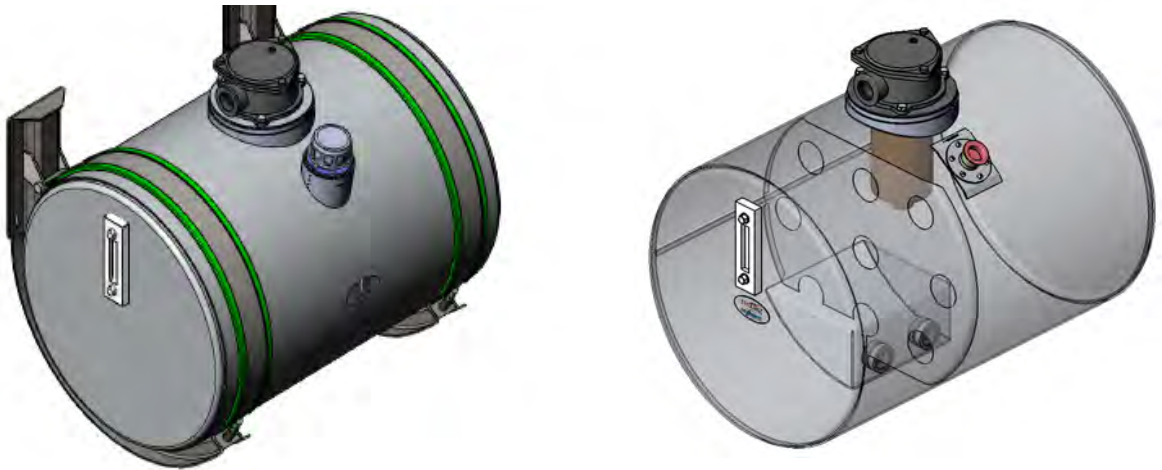
- To fit TBPCSSDD1200
- Red Flag tool box double door set, stainless steel without locks and hinges. Sold as a pair



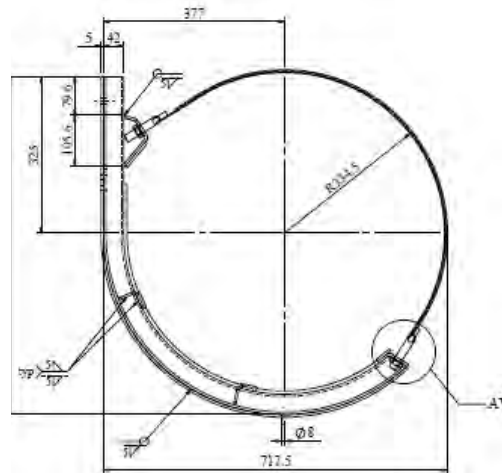
Round Hydraulic Tanks

- Polished alloy hydraulic oil tank with two heavy straddle brackets.
- Oil temperature sight gauge.
- Polished 3mm aluminium sheet.
- Baffle fitted to 180L tanks.
- Sturdy straddle mounts with 78mm stainless straps.
- Boss for tank top filter standard.
- 2 x 1 ¼" BSPT fittings mounted horizontally from bottom of tank facing towards the chassis for remote filter option. Eliminates the chance of damage to oil lines facing down from the bottom of the tank and improves aesthetics.

HTA180 - 180L 775W x 550 diameter

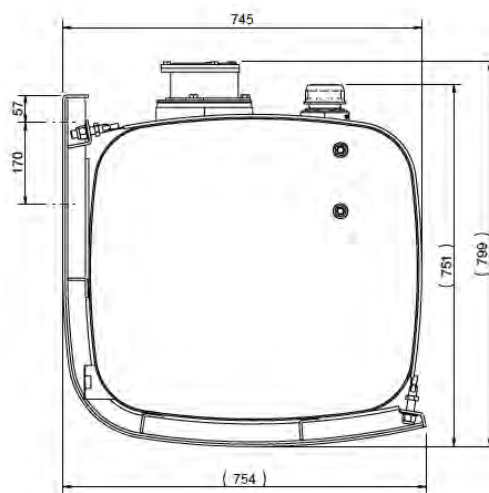


HTA125 - 125L 400W x 660 diameter



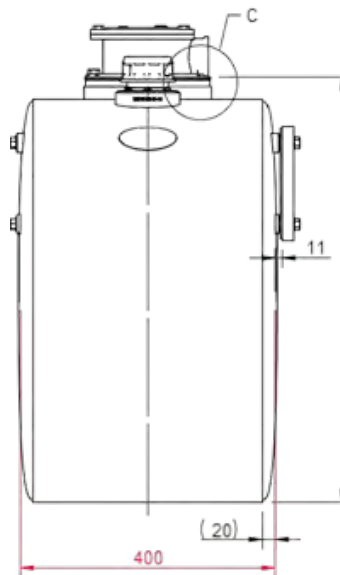
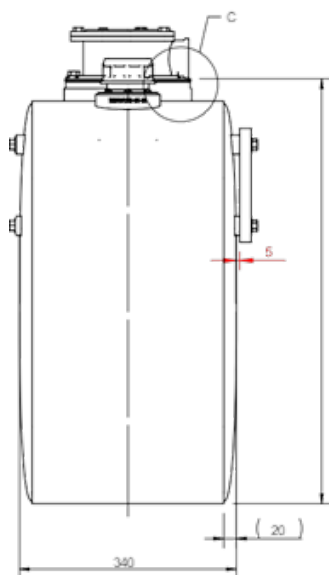
Square Hydraulic Tanks

- Polished alloy hydraulic oil tank with single heavy straddle bracket/2 straps.
- Both tank top and remote filter fittings 2" BSPT fittings chassis facing.
- 754mm deep x 751mm high.
- Includes mounting bracket, tank top filter will be extra.
- Comes complete with Filler Breather.
- Oil level indicator with thermometer.
- Tank width HTAS125 340mm HTAS153 400mm plus fittings extra.



HTAS125 - Square 125L

HTAS153 - Square 153L



Filler Breather With Strainer

HTFB

- Filler breather for hydraulic tank. Chrome finished cap, 50mm diameter tank fitting. Complete with strainer basket.



Tank Top Return Filter OMT 17 Series

HTTTRF17

- Socket 1 1/4" BSP. C10 cartridge, 276 L/min.
- Maximum working pressure 0.8MPa (8 bar). Burst pressure 1.0 MPa (10 bar). Working temperature -25 to +110 Celcius.
- Compatible with mineral oils type (HH, HM, HR, HV, HG (according to ISO 6743/4).



Red Flag™ Hydraulic Tank Strap Set

HTASST

- Metal tank straps with rubber to fit HTAS125 & HTAS15.
- Sold as a pair.



Red Flag™ Hydraulic Tank Sight Gauge with Backing Plate

HTSG

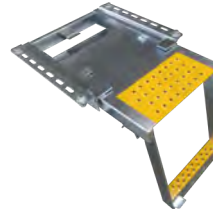
- Backing plate required for square tanks.



Ladder Ladder One Step & Platform with Mounting Bracket Zinc

LADP1

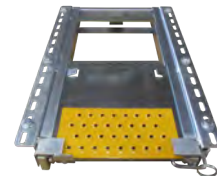
- Under deck pull out ladder ladder with platform and 1 step.
- Zinc plated.
- Each step and platform has safety yellow powder coating and raised perforated holes for grip.
- Closed size 423mm wide, 375mm deep and 51mm high.
- Steps drop at 65Deg down.
- Standing Platform depth 252mm open 134mm with tread plate.
- See drawings for full details. SWL 130KG's



Ladder Ladder Two Step & Platform with Mounting Bracket Zinc

LADP2

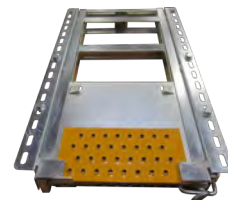
- Under deck pull out ladder ladder with platform and 2 step.
- Zinc plated.
- Each step and platform has safety yellow powder coating and raised perforated holes for grip.
- Closed size 423mm wide, 665mm deep and 61.5mm high.
- Steps drop at 65Deg down.
- Standing Platform depth 252mm open 134mm with tread plate.
- See drawings for full details. SWL 130KG's



Ladder Ladder Three Step & Platform with Mounting Bracket Zinc

LADP3

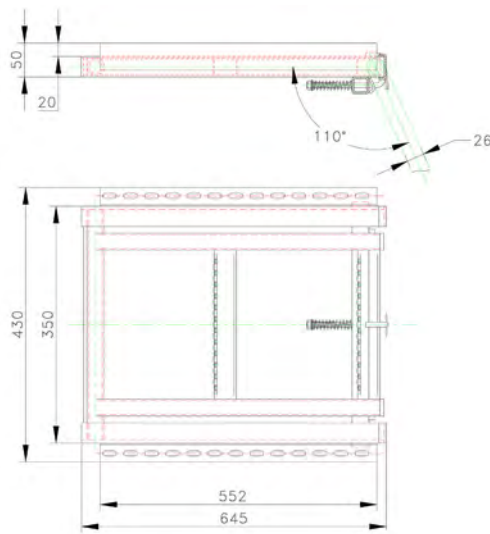
- Under deck pull out ladder ladder with platform and 3 step.
- Zinc plated.
- Each step and platform has safety yellow powder coating and raised perforated holes for grip.
- Closed size 423mm wide, 765.6mm deep and 61.5mm high.
- Steps drop at 65Deg down.
- Standing Platform depth 252mm open 134mm with tread plate.
- See drawings for full details. SWL 130KG's



Ladder Two Step With Mounting Bracket

LAD2B

- Under Deck truck ladder, rated to 300kgs.
- 2 step with bracket.
- Zinc plated.
- 430mm wide 645mm deep.
- Mounting hole centres 390mm.

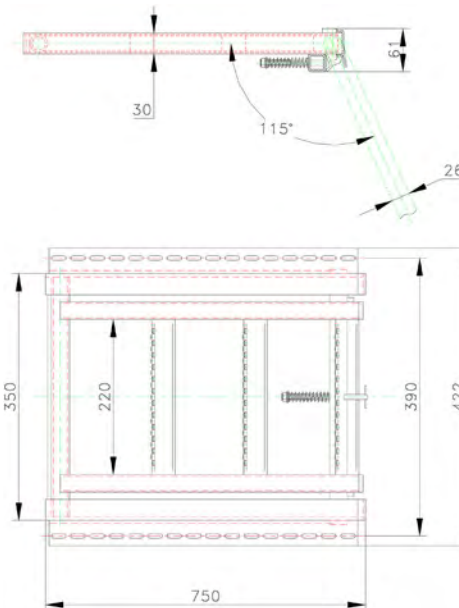


Zn

Ladder Three Step With Mounting Bracket

LAD3B

- Under Deck truck ladder, rated to 300kgs.
- 3 step with bracket.
- Zinc plated.
- 430mm wide 645mm deep.
- Mounting hole centres 390mm.



Zn

Spring Loaded Folding Access Step

LADSTEP

- A black steel, spring loaded folding access step, with a diamond grip pattern on wide tread step.
- 120mm x 108mm wide.
- Mild steel with black E-Cote finish.



Gas Stays

- Reid and Twiname offer a range of quality Lift Easy Gas Stays at leading prices that offer a two year warranty. The warranty covers defects in workmanship and materials when operated under normal use and service.
- A variety of end fittings and brackets are available including quality plastic ball ends with Stainless Steel clip and metal thread insert to save the threads pulling out under stress.
- Shaft 150 hours salt nitride tested.
- Brass guide block.
- Maze dampening system.
- Twin vulcanized sealing system.
- Made to ISO/TS 16949 standards – Supersedes ISO9001. ISO/TS 16949:2002 has been developed by the industry, the International Automotive Task Force (IATF), to encourage improvement in both the supply chain and the certification process. In fact, for the majority of leading vehicle manufacturers, certification to this specification is a mandatory requirement for doing business.
- Manufactured under automated process.
- 2 year / 20,000 cycle guarantee.

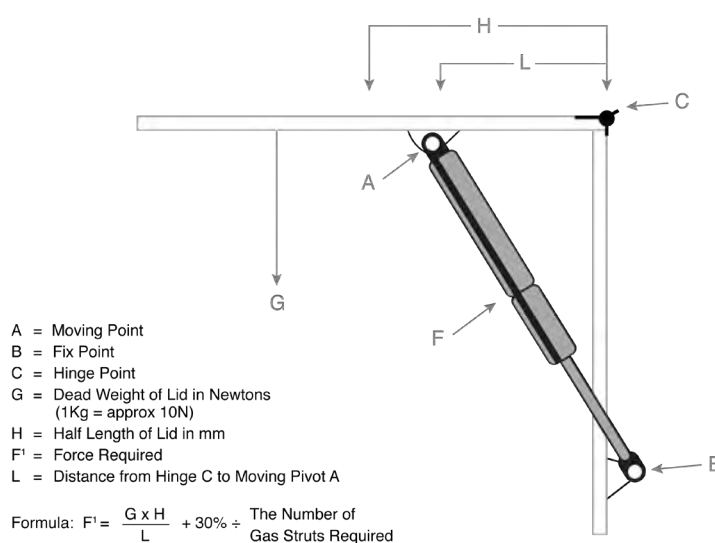


Gas Stay Formula

Ask our trained customer service staff for help working out your required Newtons.

We need from you:

- how high is the door?
- what is the downward pressure in KGs when the door is open to 90deg?
- how many gas stays are you fitting? We recommend two in most cases.
- note: to gain an extra 10 degrees lift, move Point A towards Point C by 20mm.



NOTE:

To Gain an Extra 10 Degrees Lift, Move Point A Towards Point C by 20mm



Product Code	Stroke	Length	Force	Shaft	Cylinder
GASS195350	60mm	195mm	350N	6mm	15mm
GASS245600	85mm	245mm	600N	8mm	18mm
GASS250100	87mm	250mm	100N	8mm	18mm
GASS250150	80mm	250mm	150N	8mm	18mm
GASS290400	110mm	290mm	400N	8mm	18mm
GASS315180	125mm	315mm	180N	6mm	15mm
GASS320100	125mm	320mm	100N	8mm	18mm
GASS320150	125mm	320mm	150N	8mm	18mm
GASS320200	125mm	320mm	200N	8mm	18mm
GASS320250	125mm	320mm	250N	8mm	18mm
GASS320300	125mm	320mm	300N	8mm	18mm
GASS320350	125mm	320mm	250N	8mm	18mm
GASS320400	125mm	320mm	400N	8mm	18mm
GASS320800	125mm	330mm	800N	10mm	22mm
GASS410200	210mm	410mm	200N	8mm	18mm
GASS450100	185mm	450mm	100N	8mm	18mm
GASS4501001022	185mm	450mm	100N	10mm	22mm
GASS485400	205mm	485mm	400N	8mm	18mm
GASS1	150mm	425mm	100N	8mm	18mm
GASS15	150mm	425mm	150N	8mm	18mm
GASS2	150mm	425mm	200N	8mm	18mm
GASS3	150mm	425mm	300N	8mm	18mm
GASS4	150mm	425mm	400N	8mm	18mm
GASS5	150mm	425mm	500N	8mm	18mm
GASS6	150mm	425mm	600N	8mm	18mm
GASS7	150mm	425mm	700N	8mm	18mm
GASS510100	210mm	510mm	100N	8mm	18mm
GASS510200	210mm	510mm	200N	8mm	18mm
GASS510250	210mm	510mm	250N	8mm	18mm
GASS510300	210mm	510mm	300N	8mm	18mm
GASS536	210mm	510mm	360N	8mm	18mm
GASS510400	210mm	510mm	400N	8mm	18mm
GASS550MK2	210mm	510mm	500N	8mm	18mm
GASS550100	240mm	550mm	100N	8mm	18mm
GASS5501001022	235mm	550mm	100N	10mm	22mm
GASS550300	240mm	550mm	300N	8mm	18mm

Product Code	Stroke	Length	Force	Shaft	Cylinder
GASS575100	240mm	575mm	100N	10mm	22mm
GASS575400	240mm	575mm	400N	10mm	22mm
GASS575500	240mm	575mm	500N	10mm	22mm
GASS575700	240mm	575mm	700N	10mm	22mm
GASS615100	270mm	615mm	100N	8mm	18mm
GASS650800	285mm	650mm	800N	10mm	22mm
GASS670250	295mm	670mm	250N	10mm	22mm
GASS670300	295mm	670mm	300N	10mm	22mm
GASS670350	295mm	670mm	350N	10mm	22mm
GASS670500	295mm	670mm	500N	10mm	22mm
GASS350N	300mm	700mm	350N	10mm	22mm
GASS550N	300mm	700mm	550N	10mm	22mm
GASS650N	300mm	700mm	650N	10mm	22mm
GASS700700	310mm	700mm	700N	10mm	22mm
GASS750N	300mm	700mm	750N	10mm	22mm
GASS800450	365mm	800mm	450N	8mm	18mm
GASS830600	375mm	830mm	600N	10mm	22mm
GASS9401150	425mm	940mm	1150N	14mm	28mm
GASS11001150	1100mm	505mm	1150N	14mm	28mm



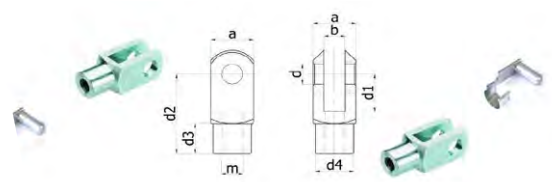
Gas Stay Clevis & Pin

GASSCLM_

Products in the range

M6 GASSCLM6

M8 GASSCLM8



Gas Stay Plastic Ball and Cap Angled Head

GASSCP1018AM_

Products in the range

M6 GASSCP1018AM6

M8 GASSCP1018AM8



Gas Stay Brackets

GASSKBA_ _

Products in the range

Holden Barina Hatch L/R GASSKBA117L/R

Ford TX5 Mazda 626 Hatch L/R GASSKBA126L/R



Flat Bracket Zinc Plated

GASSLPE

- Low Profile Bracket.
- 3mm thick.
- Mounting Centres 34mm.
- Height 40mm.

Products in the range

10mm ball GASSLPE

13mm ball GASSLPE13



Right Angle Bracket External with 10mm Ball Black

GASSRAB

- Right angle bracket with external ball joint.
- 10mm ball end. Width 51mm. Height 30mm. Hole Centres 38mm.



Right Angled Bracket Internal With 10mm Ball Black

GASSRABI

- Right angle bracket with internal ball joint.
- With 10mm Ball. Width 51mm. Height 30mm. Hole Centres 38mm.



Flat Bracket Stainless Steel 10mm Ball

GASSSSKB01

- Width 56mm. Height 40mm. Hole centres 34mm.
- KB101S.



Right Angle Internal Bracket Stainless Steel

GASSSSKB1100

- Internal mounting right angled bracket with 10mm ball.
- Width 55mm. Height 26mm. Hole centres 34mm.
- KB1100S.



Right Angled Bracket M8 Size Hole

GASSRABM8

- Right angle bracket with M8 threaded hole.
- Width 62mm Height 35mm.
- Hole Centres 40mm. Threaded hole centre 25mm.



Drawerslides

- Quality zinc plated steel drawerslides. 100% extension.
- Available in a variety of weights and lengths in both locking and non locking.



We stock drawerslides from Duraslide Australia.

When choosing any drawer slide or pair of drawer slides there are a number of key points to consider.

- Drawer Slide closed length – this is the length of the slide when closed and usually relates to the depth of the compartment the slide is to be mounted in.
- Drawer Slide extension – There are three basic types:
 - (1) partial or 70% extension
 - (2) full or 100% extension; and
 - (3) over or 150% extension.

This is the amount by which you want the drawer or slide-out system to extend relative to the closed length.

A 100% extension slide with a closed length of 500mm will extend by 500mm.

A 150% extension slide with a closed length of 500mm will extend by 750mm.

Each slide is made up of a number of beams. A partial extension slide will be made up of 2 beams. To achieve 100% extension the slide must usually have 3 beams, and to achieve 150% extension a slide must have 4 beams. Most slides are made with ball bearings between the beams, held in position by ball cages. Other types, particularly many higher precision high repetition slides, work with rollers (roller bearings). When choosing a slide, the first issues to decide are closed length and extension.

- Load – the third most important issue to decide is what load (weight) a pair of slides must carry when fully extended. All slides will have a load capacity, and this is invariably deemed to be the load for a pair of slides and which is assumed to be evenly distributed over the length of the extended part of the slide.



How to install a Slide

- Slides should normally be installed in pairs and so as to carry load on their major axis on edge. Some slides, however, particularly Sliding Systems' Shock Resistant range of reinforced high strength sliders can be mounted flat and will carry load on the minor axis, subject to a significantly reduced overall load capacity. Unless you are certain the slide you are choosing is designed to be able to carry load on its minor axis, you should only mount your slides on edge.
- Telescopic Slide Height and Width – It is also important to consider the dimensions of the slide itself what is its height, and what is the width of one slide – slide length (Closed Length) is referred to above. This can be important particularly where there is only a certain size of gap between the compartment wall and the drawer body. Duraslide offers the largest range of telescopic slides available in the market, which means that we are more likely to have a slide to meet your overall length, width, height, extension and load capacity criteria.
- Operating Environment – Slide selection must also take into account the overall environment in which the slide will be operating. If a slide is likely to be exposed to prolonged vibration - for example it is to be mounted on a vehicle, or will be carrying a running generator or pump - then a vibration resistant slide should be selected. This will usually mean a telescopic slide fabricated from cold drawn steel (as opposed to cold rolled steel) should be selected.
- Similarly if the slide is likely to be slammed shut or open whilst carrying a heavy load. Drawer slides have built-in end-stops which have to be strong enough to take the shock of the slide being slammed open or shut.
 - Is the drawer slide going to be mounted on a moving platform (vehicle, vessel etc)?
 - Is it likely to be subject to rough treatment?
 - Is it likely to be exposed to extremes of temperature?
 - Will it be in a corrosive environment (sea air or particular gases or radiation)?
 - Will it be subject to high repetitions (many thousands of openings and closings)?
 - Is very high precision required (minimal deflection etc, eg machine tool or automated applications)?
 - Will the environment be dusty and will slide maintenance be easy or difficult
 - Will the telescopic slide be used in a food related environment?
- This top quality product has been tested in the Australian environment.

Please take these things into consideration during installation

- When marking hole placements you MUST NOT drill through the slide holes during installation. Doing this will create metal filings which lodge in the tracks resulting in rough running and ultimately, failure of the slides. Depending on substrate, stainless steel 'flat head' hex screws with NY-lock nuts or stainless steel rivets are recommended.
- There must be no rubbing of the fixing against the moving slides. This will cause failure of the slide.



Drawerslides

- Quality zinc plated steel drawerslides. 100% extension.
- Available in a variety of weights and lengths in both locking and non locking.

Non-locking 125kg Drawerslides

CTDS125_ _ _ NL

- 600mm closed length 1200mm extended CTDS125600NL.
- 500mm closed length 1000mm extended CTDS125500NL.
- 400mm closed length 800mm extended CTDS125400NL.
- 300mm closed length 600mm extended CTDS125300NL.
- Sold in pairs.
- 125kg rated closed.
- 100% extension.
- 18.7mm thickness.



Zn

Locking 125kg Drawerslides

CTDS125_ _ _ L

- 700mm closed length 1400mm extended CTDS125700L.
- 600mm closed length 1200mm extended CTDS125600L.
- 500mm closed length 1000mm extended CTDS125500L.
- Sold in pairs.
- 125kg rated closed.
- 100% extension.
- 18.7mm thickness.



Zn



Non-locking 227kg Drawerslides

CTDS227_ _ _NL

- 1400mm closed length 2800mm extended CTDS2271400NL.
- 900mm closed length 1800mm extended CTDS227900NL.
- 800mm closed length 1600mm extended CTDS227800NL.
- 600mm closed length 1200mm extended CTDS227600NL.
- 450mm closed length 900mm extended CTDS227450NL.
- Sold in pairs.
- 227kg rated closed.
- 100% extension.
- 19.3mm thickness.



Locking 227kg Drawerslides

CTDS227_ _ _L

- 1800mm closed length 3600mm extended CTDS2271800L
- 1500mm closed length 3000mm extended CTDS2271500L
- 1300mm closed length 2600mm extended CTDS2271300L
- 1200mm closed length 2400mm extended CTDS2271200L
- 1100mm closed length 2200mm extended CTDS2271100L
- 1000mm closed length 2000mm extended CTDS2271000L
- 900mm closed length 1800mm extended CTDS227900L.
- 800mm closed length 1600mm extended CTDS227800L.
- 700mm closed length 1400mm extended CTDS227700L
- 600mm closed length 1200mm extended CTDS227600L.
- 500mm closed length 1000mm extended CTDS227500L
- 450mm closed length 900mm extended CTDS227450L.
- Sold in pairs.
- 227kg rated closed.
- 100% extension.
- 19.3mm thickness.



H Section Truck Door Seal Grey

COTS_ _ _ _

- Full grey colour. Rigid PVC C section that caps door. 20 or 25mm.
- Paintable with co-extruded flexible seals.
- Optimal door to frame clearance is 15mm.

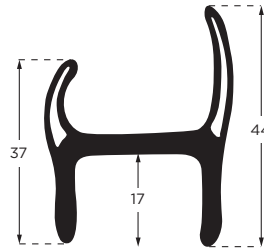
Products in the range

20mm 2.5m COTS2025

20mm 5m COTS2050

25mm 2.5m COTS2525

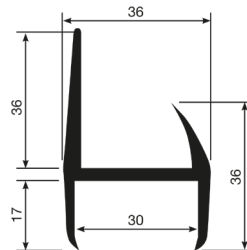
25mm 5m COTS2550



H Section Truck Door Seal 30mm

COTS30

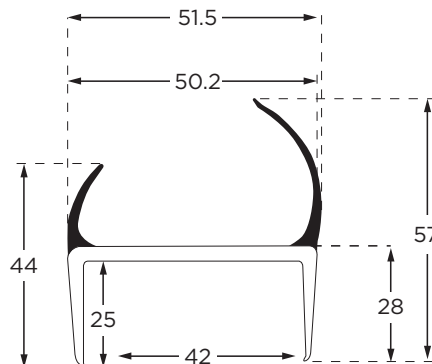
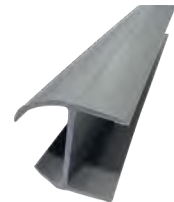
- Mid grey colour.
- H section with 2 seals.
- 5m lengths.
- Freezer or standard truck body door seal made from rigid PVC carrier, co-extruded with flexible PVC seals.



H Section Truck Door Seal 42mm

COTS42

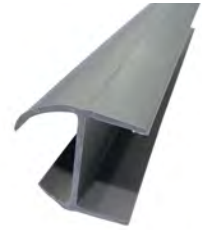
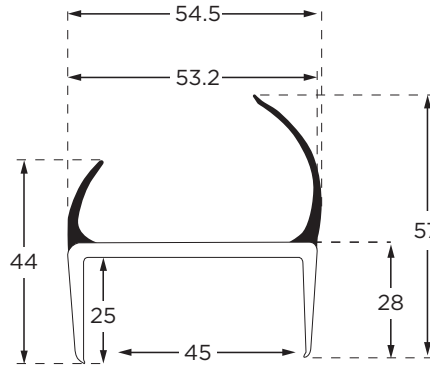
- Mid grey colour.
- H section with 2 seals.
- 5m lengths.
- Freezer or standard truck body door seal made from rigid PVC carrier, co-extruded with flexible PVC seals.



H Section Truck Door Seal 45mm

COTS45

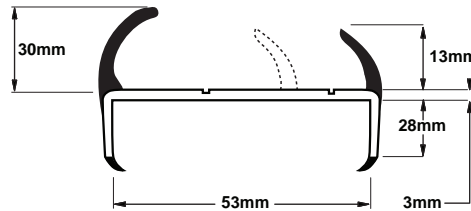
- Freezer or standard truck body door seal made from rigid PVC carrier, co-extruded with flexible PVC seals.
- Mid grey colour.
- H section with 2 seals.
- 5m lengths.



H Section Truck Door Seal 53mm 5m

COTS53

- European manufactured container door seal 53mm "h" with two internal seals for greater temperature retention.
- Soft black PVC seals and rigid white backing.
- Ideal chiller/freezer seal.



J Section Truck Door Seal

COTSJ_ _

- Rigid & flexible co-extruded PVC. Fits any door thickness. 50mm across the top, 30mm high, 30 and 20mm sealing legs.
- Optimal door to frame clearance is 15mm.

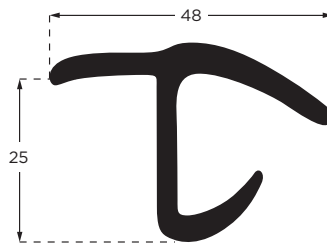
Products in the range

Grey 2.5m COTSJ25

Grey 5m COTSJ50

Black 2.5m COTSJ25BK

Black 5m COTSJ50BK



Truck Door Seal Corner Tabs

COTSCT_

- Glue on soft PVC corner Tabs for H and J seal.

Products in the range

Grey COTSCT

Black COTSCTB

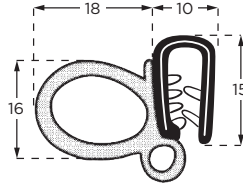
Grey 100mm COTSCT100



Door Seal DPN Windlace 60-054

WNRDPN

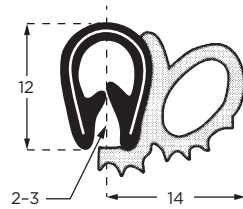
- Large, black door seal. A U shaped edge trim combined with a rubber and PVC seal to help protect the interior from wind and dust. The steel core enables a strong grip onto the edge but still provides enough flexibility to go around corners. Suitable for vehicle door and hatch applications.
- 50m rolls - 5m lengths.



Door Seal 6272 Black

WN6272

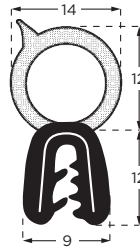
- Small door seal. A U shape edge trim combined with a rubber and PVC seal to help protect the interior from wind and dirt. The steel core enables a strong grip onto the edge but still provides enough flexibility to go around corners.
- Suitable for vehicle door and hatch applications.
- 25m rolls - 5m lengths.



Boot Seal BS64 Black

WNBS64

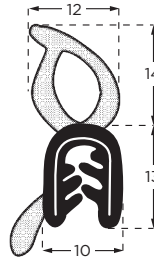
- The steel core enables a strong grip onto the edge but still provides enough flexibility to go around corners.
- 50m rolls - 5m lengths.



Boot Seal Black

WNBSRS

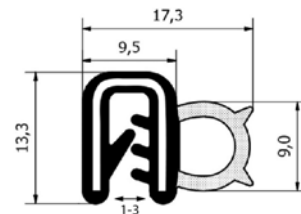
- BSRS Type boot seal. The steel core enables a strong grip onto the edge but still provides enough flexibility to go around corners.
- 50m rolls - 5m lengths.



Door Seal 6319 Black

WN6319

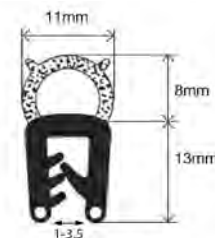
- Small door seal. EPDM. U shape co extruded edge trim combined with a EPDM rubber seal and spring steel core to help protect the interior from wind, dirt and moisture. The steel core enables a strong grip onto the edge but still provides enough flexibility to go round corners.
- Tool box and locker door seal.
- Side tube seal.
- 1-3mm grip, 10mm depth, 8mm seal.
- 5m increments, 50m rolls.



Door Seal 6320 Black

WN6320

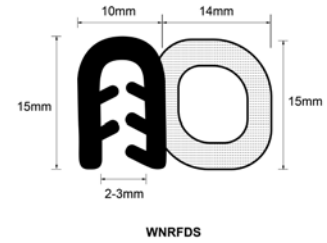
- Small door seal. EPDM. U shape co extruded edge trim combined with a EPDM rubber seal and spring steel core to help protect the interior from wind, dirt and moisture. The steel core enables a strong grip onto the edge but still provides enough flexibility to go round corners.
- Tool box and locker door seal.
- Side tube seal.
- 1-3.5mm grip, 11mm depth, 8mm seal.
- 5m increments, 50m rolls.



Red Flag Door Seal

WNRFDS

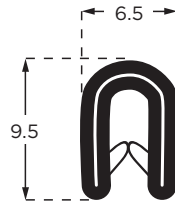
- Small door seal. A U shape edge trim combined with a rubber and PVC seal to help protect the interior from wind, dirt and moisture.. The steel core enables a strong grip onto the edge but still provides enough flexibility to go around corners.
- Grip range 2-3mm.
- Tool box or locker door seal.
- 50m rolls - 5m increments.



Edge Trim J4901 Black

WN4901

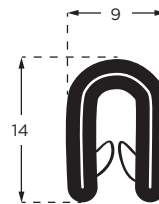
- Grip edge 0.5-1.5mm. Small push on plastic coated edge trim. Suitable to cover raw edges of fibreglass and metal. With a double lip for better grip.
- The steel core enables a strong grip onto the edge but still provides enough flexibility to go around corners. Can be used on both interior and exterior applications.
- 50m rolls - 5m lengths.



Edge Trim SNL Black

WNSNLBK

- Grip edge 0.7-2.5mm. Medium push-on edge trim. Suitable to cover raw edges of fibreglass and metal. The steel core enables a strong grip onto the edge but still provides enough flexibility to go around corners.
- 50m rolls - 5m lengths.



Edge Trim SNL Large

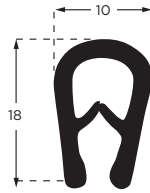
WNSNLG_ _

- Grip edge 1-3mm, Large push-on edge trim. Suitable to cover raw edges of fibreglass and metal. The steel core enables a strong grip onto the edge but still provides enough flexibility to go around corners.
- 50m rolls - 5m lengths.

Products in the range

Black WNSNLGBK

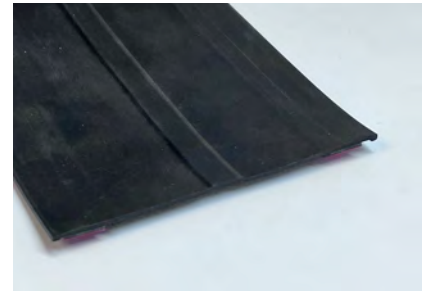
White WNSNLGWT



Uni Tailgate Gap Filler 2mtr Pack

WNUTGS2M

- Universal tail gate gap filler.
- 3m branded double sided tape. Designed to run between the ute deck and tail gate to cover the gap, stopping debris falling onto the hinges and below to the ground.
- Rubber width 105mm.
- Sold as a 2mtr pack.



Universal Dust Tailgate Seal

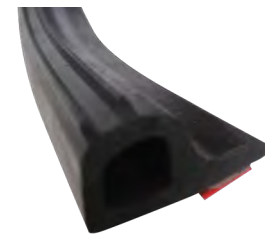
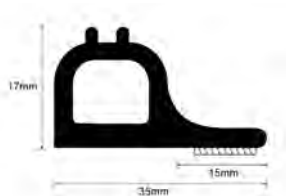
WNUDS

- Universal tail gate or door seal with adhesive VHB tape.
- 35mm wide x 17mm high.
- Install sheet available on our website.

Products in the range

30m roll WNUDS

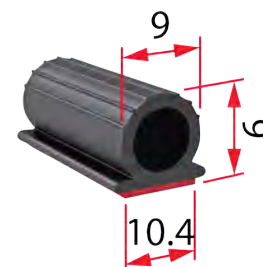
6m lengths WNUDS6



Self Adhesive Thermoplastic Rubber Seal

RBSATP95

- Self-adhesive rubber seal extrusion.
- 10.4mm wide x 9mm high Diameter bulb.
- Acrylic tape applied. Seal is round shaped with a flat bottom for weather sealing doors, boxes, cabinets.
- TPR - Thermoplastic Rubber.
- Sold by the 50m roll or in 5m increments.



Self Adhesive EPDM Sponge Extrusion Seal - D Shaped

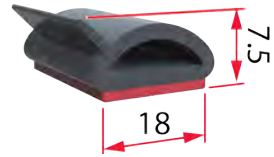
RBSA__

- Acrylic tape applied.
- Sold by the roll or in 5m increments.
- 25% compression recommended.
- Excellent resistance to water absorption, sunlight aging & low temperatures.
- Working temperature -40°C to 110°C.

Products in the range

RBSA019 18mm wide x 7.5mm high

- 66m roll.



RBSA135 19mm wide x 14mm high.

- 33m roll.



RBSA50109 16mm wide x 9.5mm high.

- 33m roll.



RBSA50362 17.5mm wide x 17.5mm high.

- 33m roll.



RBSA50449 16mm wide x 12.5mm high.

- 33m roll.



Flexible Weatherstrip

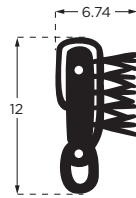
CLWFAM_

- Flexible steel core with a woven pile fabric on one side.
Common on Classic cars, MGs, Morris Minors, Continental cars.
- 2 metre lengths.

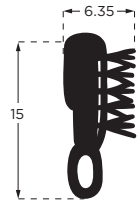
Products in the range

6.74 mm x 12mm AM1 CLWFAM1

6.35 mm x 17mm AM2 CLWFAM2



CLWFAM1

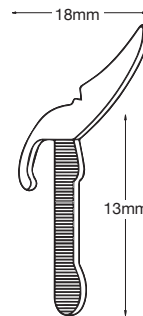


CLWFAM2

Weatherstrip Rigid Waist Seal (5134)

CLWR5134

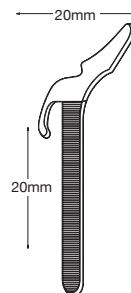
- Coextruded PVC with Flock sprayed finish to inside face.
- 1m lengths.



Weatherstrip Rigid Waist Seal (5139)

CLWR5139

- Coextruded PVC with Flock sprayed finish to inside face.
- 1m lengths.



Weather Strip

RWW_

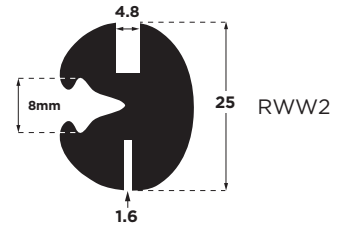
- 15m coil, natural rubber.
- Used with RWPFM, RFWL and RWCREU5573 fillerstrips.
- Sold in 2.5m increments.



Products in the range

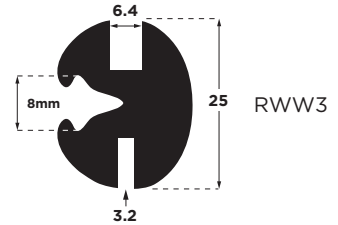
RWW2 1.6mm Panel - 4.8mm Glass 25mm Overall

- min. fitted radius 58mm.



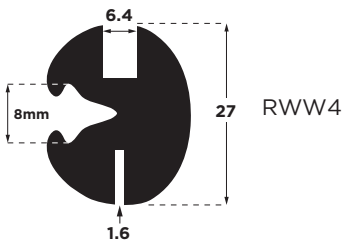
RWW3 3.2mm Panel - 6.4mm Glass 25mm Overall

- min. fitted radius 102mm.



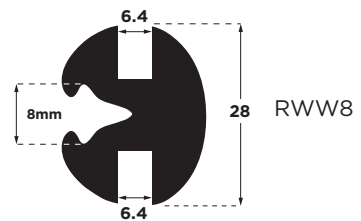
RWW4 1.6mm Panel - 6.4mm Glass 27mm Overall

- min. fitted radius 102mm.



RWW8 6.4mm Panel - 6.4mm Glass 28mm Overall

- min. fitted radius 64mm.



Weather Strip Filler Tool Small

TLMF2

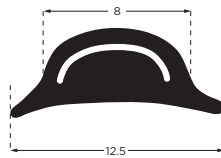
- Multi head sizes.
- Works with filler strips and weather strip glazing rubbers.



Filler Strip 500 8mm Chrome

RWCRE500

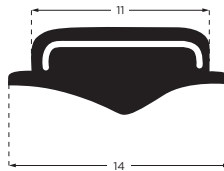
- Chrome Mylar, suits some models of Cortina, Gemini, Vauxhall.
- 50metre rolls 2.5m increments.



Filler Strip 829 11mm Chrome

RWCRE829

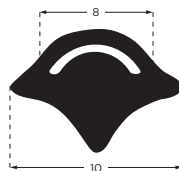
- Chrome Mylar, suits some models of Commodore, Cortina, BMW.
- 50metre rolls 2.5m increments.



Filler Strip U5573 8mm Chrome

RWCREU5573

- Universal Chrome Filler Strip, fits RWW2, RWW3, RWW4, RWW8 Weatherstrips, Chrome Mylar.
- 50metre rolls 2.5m increments.



Medium Filler Strip 30m

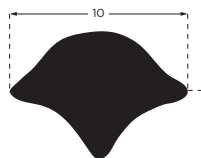
RW_ _ _

- Universal Filler Strip, fits RWW2, RWW3, RWW4, RWW8 weatherstrips.

Products in the range

White RFWL

Black RWPFM



RWPFM (Black)
RFWL (White)



Sponge Strip S7 20m

RBSS07

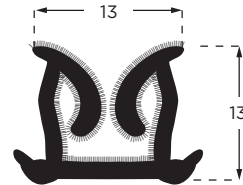
- 25 x 16mm rubber self sealing. EPDM, 20m rolls, max. 120°C. Ideal for sealing around the rear doors of tipper truck bodies.
- Can be adhered to steel or aluminium body with EPDM adhesive.



Flock Sprayed Rubber Channel (452)

CLFS452

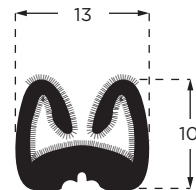
- 13mm x 13mm.
- 30m rolls or available in units of 2m.



Flock Sprayed Rubber Channel (636)

CLFS636

- 13mm x 10mm.
- 30m rolls or available in units of 2m.



Flock Sprayed Rubber Channel (638)

CLFS638

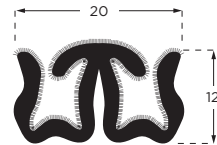
- 14mm x 10mm.
- 30m rolls or available in units of 2m.



Flock Sprayed Double Flex Rubber Channel

CLFSDC

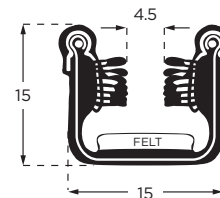
- 20mm x 12mm.
- 30m rolls or available in units of 2m.
- Suits many vans with sliding windows.



Beaded Flex Channel (Y526)

CLFBD

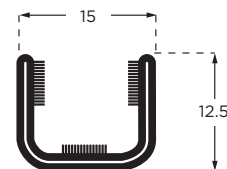
- 15mm x 15mm 2.4m lengths.
- Stainless Steel Bead, flexible steel core, Felt and Moquette lining.



Plain Flex Channel 15mm x 15mm x 20m Roll

CLFPL

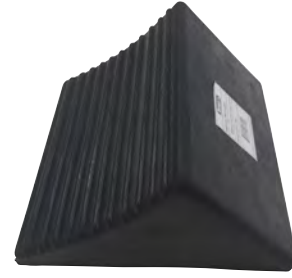
- 15mm x 15mm.
- Universal Window Channel flexible steel core, Felt and Moquette lining.
- Suits 5 to 6.4mm glass.
- Sold in 20m rolls only,



Rubber Wheelchock Medium

BUWCM

- Medium wheel chock made from hard wearing EPDM blended rubber.
- L 200mm x W 205mm x H 105mm. 4.4lbs.



Rubber Buffer

BUBF

- 200mm L x 50mm H x 50mm W.
- Hole centres 105mm.



Rubber Buffer Long

BUBFL

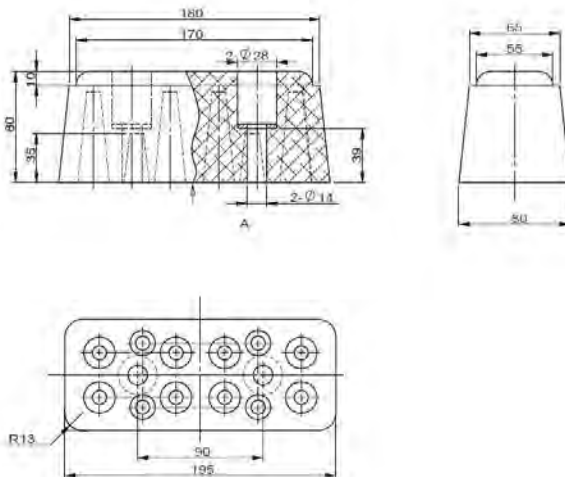
- 246mm L x 50mm H x 50mm W.
- Hole centres 88mm.



Rubber Buffer High

BUB195

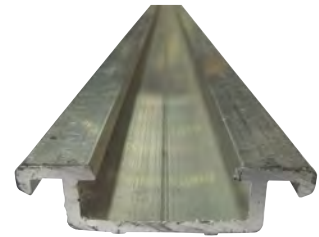
- 195mm L x 80mm H x 80mm W.
- Hole centres 90mm.
- Weight 1.18kg.



Body Moulding Aluminium Carrier

MDBMA

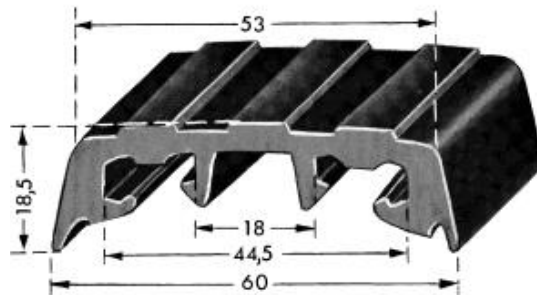
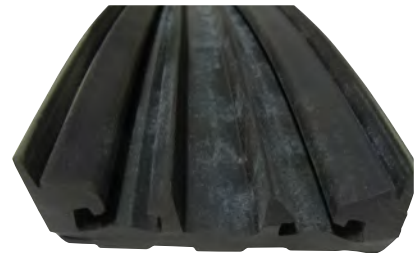
- To go with MDBME end cap and rubber body moulding section MDBMR.
- Carrier width = 44mm, Height = 12mm.
- Overall with rubber - Width = 60mm. Height = 18mm.



Happich Body Moulding Rubber Section

MDBMR

- Width = 60mm Height = 18mm.
- To go with end cap MDBME, and Alum carrier extrusion MDBMA.
- Fender strip buffer.
- Vehicle rub rail.



Happich Body Moulding End Cap Aluminium

MDBME

- End cap to go with rubber body moulding section MDBMR, and Alum carrier extrusion MDBMA.



Happich Cover Section Black Combination Hinge & Body Mould

HGLOALC

- Rubber cover section. Sold by the metre.
- Apply to top and bottom of carrier profile.



Happich Body Mould Filler Section

HGLOALF

- Rubber filler section. 13mm across top, 15mm overall.
Sold by the metre.



Happich End Cap Black

MDEC

- Suitable for MDCP.





TOPTARP®
REINFORCED PVC

Reid and Twiname have been importing PVC into New Zealand for over 20 years. Our products are tried and tested in the harsh NZ conditions. Our newest supplier has been supplying us for over 8 years.

Predominantly our PVCs are utilised in the marine and transport industry. Our range of PVC is vast and we have an average stock holding in our warehouses in excess of 30,000 metres.

Fire Retardant and Ripstop PVC options are also available.

For full details on our range visit our website at www.retwine.co.nz



15L Hand Wash Unit with Soap Dispenser

WTHW15

- Water container/hand wash unit. Soap dispenser and tap included. 345mm across top. 275mm across bottom. 315mm high. 250mm deep.
- Very well designed and economical hand wash unit for service vehicles, chemicals handling equipment, horsefloats and farm equipment.
- Soap dispenser is incorporated into the tank.

Other Products in the range

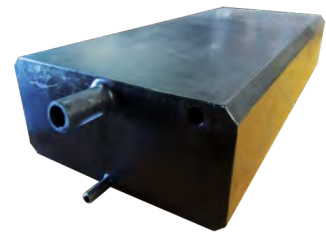
WTHW15SD Spare soap dispenser



Water Tank Small Black 36L

WTPS

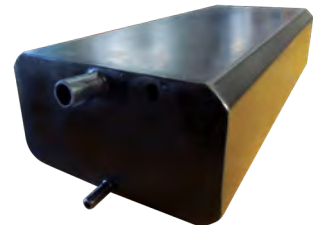
- High impact black polyethylene.
- Width: 335 mm. Height: 160mm. Length: 780mm.
- Inlet: 32 mm/OD. Outlet: 16mm /OD. Breather: 20mm.



Water Tank Chevron 45L

WTCV

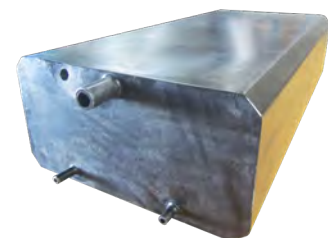
- High impact black polyethylene.
- Height: 180mm. Width: 335mm. Length: 760 mm.
- Inlet: 32mm. Outlet: 16mm. Breather: 20mm.



Water Tank Large Black 81L

WTPL

- High impact black polyethylene.
- Width: 450mm. Height: 230mm. Length: 920mm.
- Inlet: 32mm/OD. Outlet: 2 x 16mm /OD. Breather: 20mm.



Water Tank 96L

WTPSL

- High impact black polyethylene.
- Height: 285mm. Width: 350mm. Length: 980mm.
- Outlet: 20mm. Inlet: 32mm. 16mm Breather.



Water Tank Black 81L

WTWT

- High impact polyethylene.
- 4 x 32 mm/OD Mounting Spigots/Inlets.
- Width: 450 mm. Height: 300mm. Length: 610mm. Outlet: 80mm/OD.



Rocker Action Pump Black

PUPWS63

- Self priming. Mounting hole 51mm. Length below Mounting Surface 120mm. Height from Mounting Surface 140mm.

Other products in the range

Service kit PUWS6329



Double Action Pump

PUPWS67

- Self Priming. Mounting Hole: 33 mm. Length Below Mounting Surface: 220 mm. Height From Mounting Surface: 115 mm.



Supersub 88 Submersible 12v

PUGP8815

- 12 volt, 3.6 amp. The Submersible pump with the bigger performance motor giving a greater water pressure. Just place the Supersub 88 pump inside the water tank. It is completely water sealed and, being totally submerged, there are no priming problems.
- The Whale Supersub 88 works quietly and efficiently from a 12 volt DC Supply. Suitable for use with water heaters and for a shower.
- Materials: ABS, Synthetic Rubber and Stainless Steel.
- 13.2 L/m max. 117mm x 36mm.



Superline 99 12v DC 3Amp

PUGP9955

- A compact highly efficient centrifugal pump with a performance capability that belies its size. Fits inline into existing hand or foot operated systems, and light enough to be suspended in the pipe work.
- When fitted below level of water tank it can be primed by gravity, eliminating the need for a manual priming pump. Unit is completely sealed to avoid damage from damp atmosphere or casual water.
- Materials: ABS, Neoprene Rubber and Stainless Steel.
- 13.2 L/m max. 144mm x 36mm.



Waste and Plug

WPWS65

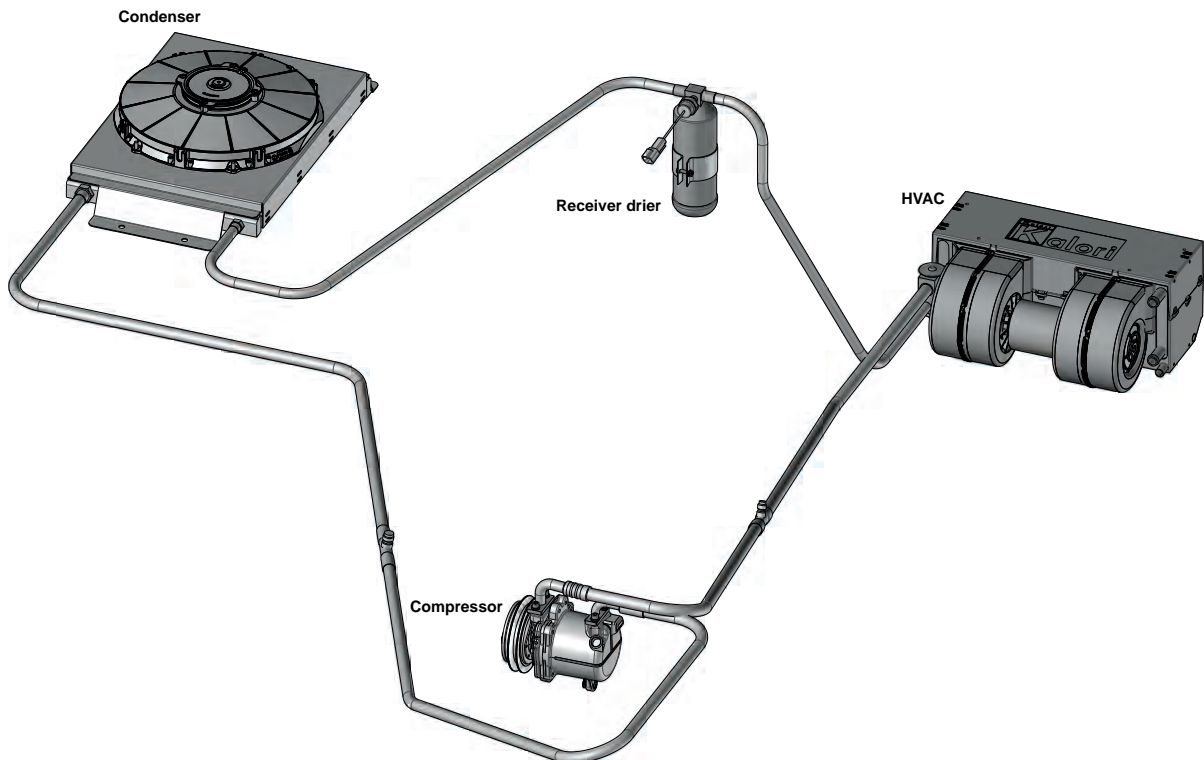
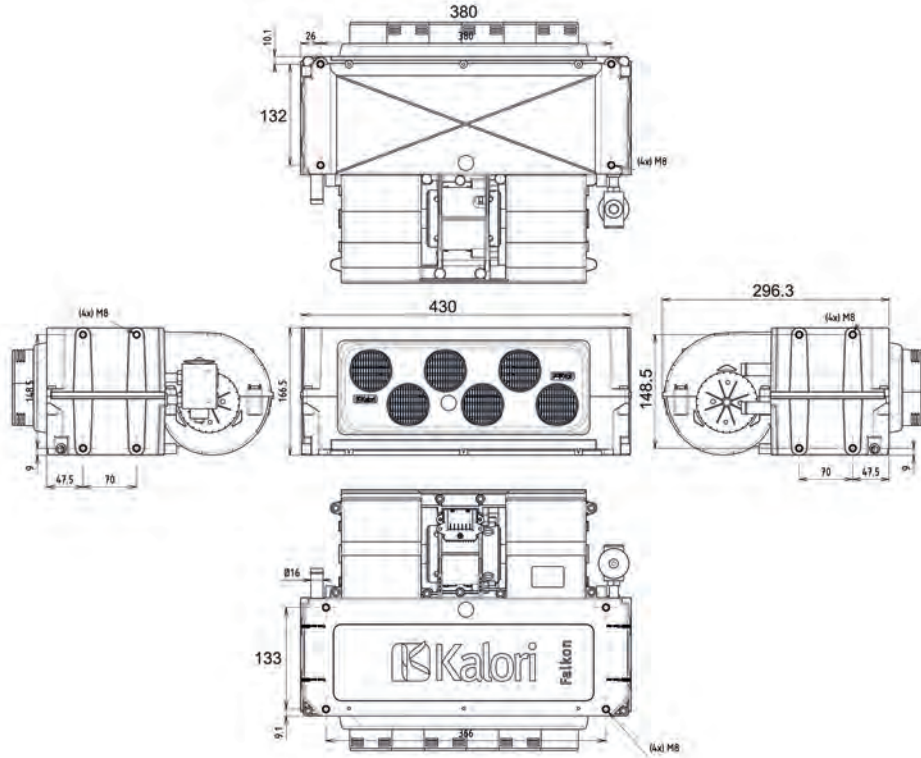
- White plastic waste with black rubber plug.
- Cut Out Hole: 33mm Hose ID: 28mm.



Kalori Falcon Kombi ED6 24v Heater, Air Conditioner (evaporator only)

HEKFK

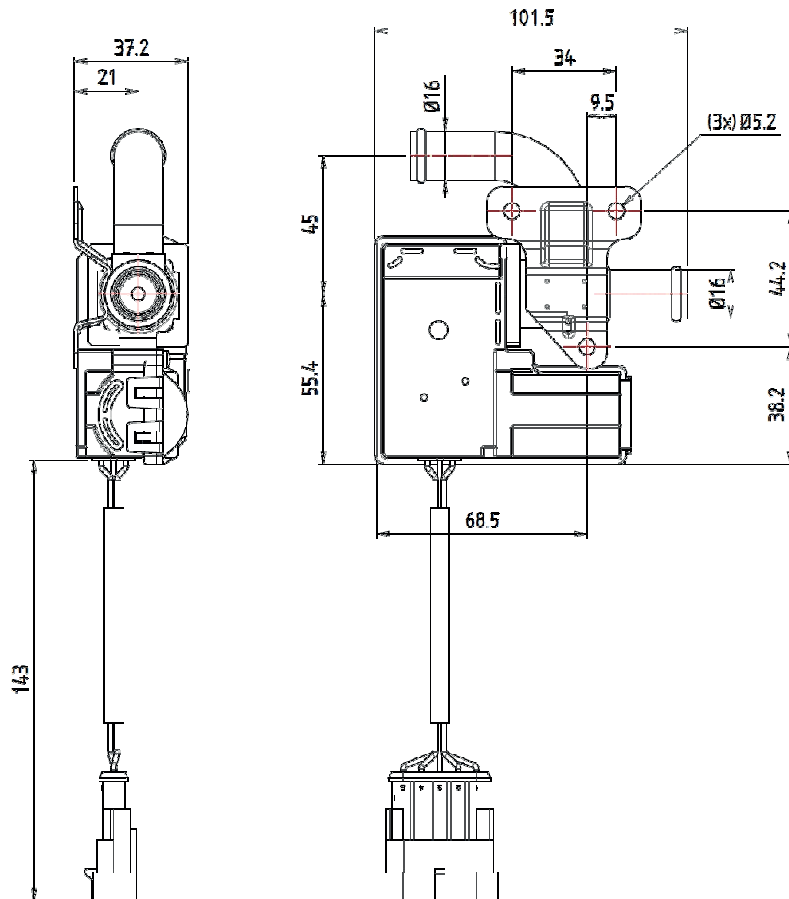
- Water Heat Exchanger.
- Heating 10kw. Air flow 725m³/h. 3 speed fan. 6 x 55mm outlets. 16mm radiator pipe. 24V.
- Electricity consumption 360w, cooling output 7.7kw. 430mm x 166.5mm x 296.3mm (plus outlet depth). Note these are 55mm hose outlets.



Kalori Falcon Kombi 24v Valve

HEKFKVALVE

- Works in conjunction with Falcon Kombi dash controller HEKFKPCK3 and the Falcon Kombi HEKFK.



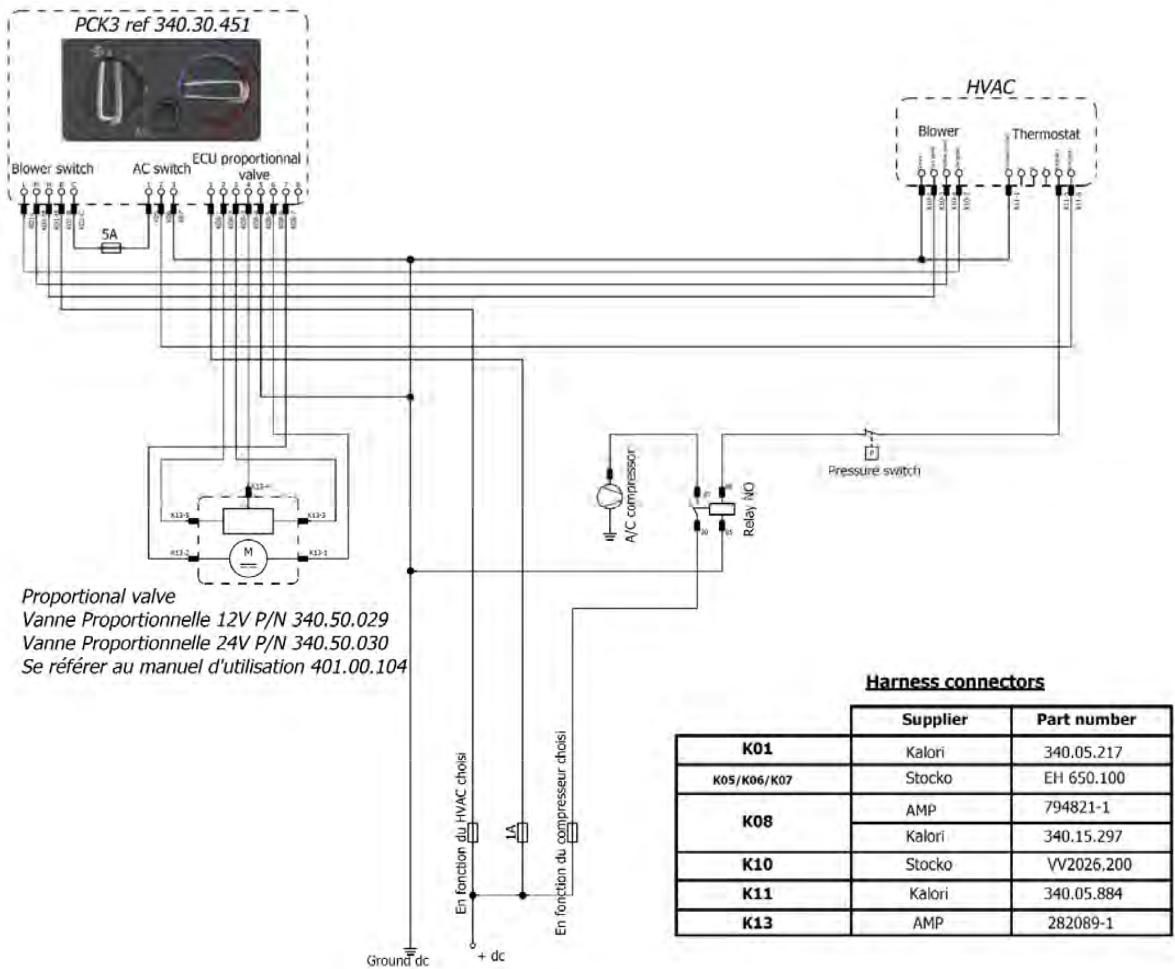
Kalori Falcon Kombi PCK3 Controller

HEKFKPCK3

- 3 speed control panel for Falcon Kombi 24v air-conditioning unit HEKFK. 3 speed dial. Works in conjunction with Falcon Kombi Valve HEKFKVALVE.



C. 340.30.451 PCK3 VENT 4 POS/TEMP VANNE PRO /AC



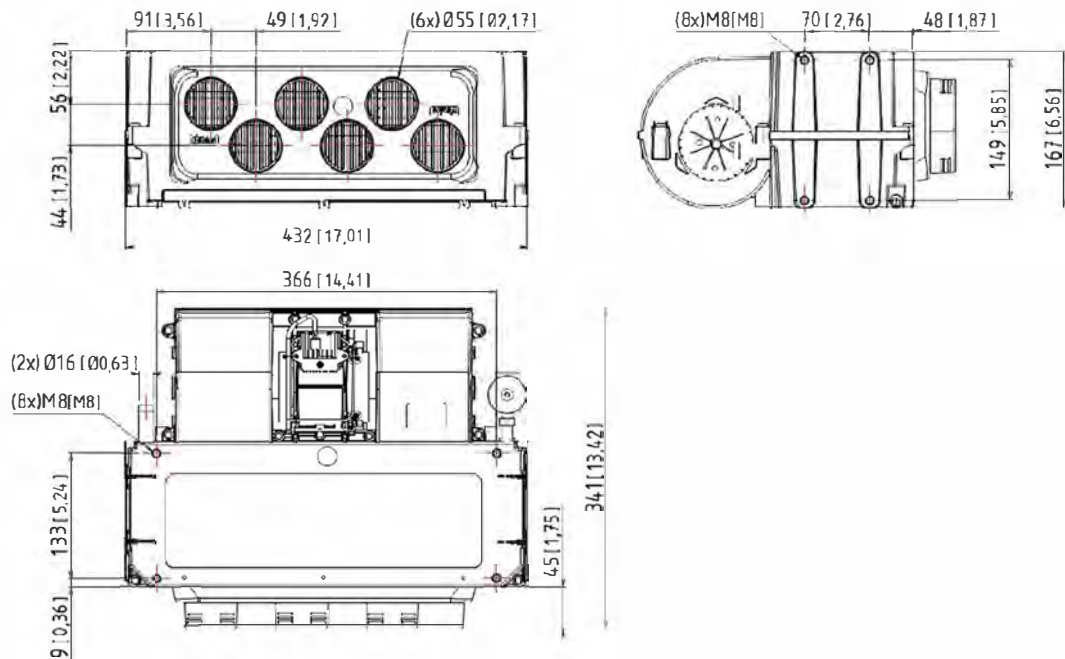
Kalori Falcon HV ED6 24V Heater Demister

HEKFHV

- 3 speed control panel for Falcon Kombi 24v air-conditioning unit HEKFK. 3 speed dial. Works in conjunction with Falcon Kombi Valve HEKFKVALVE.
- Heating 14.8kw. Air flow 725m³/h. 3 speed fan. 6 x 55mm outlets. 16mm radiator pipe. 24v.
- 432mm x 167mm x 341mm (plus outlet depth) Note these are 55mm hose outlets.



FALKON ED6



Kalori Kosto Kool 11 Heater/Demister

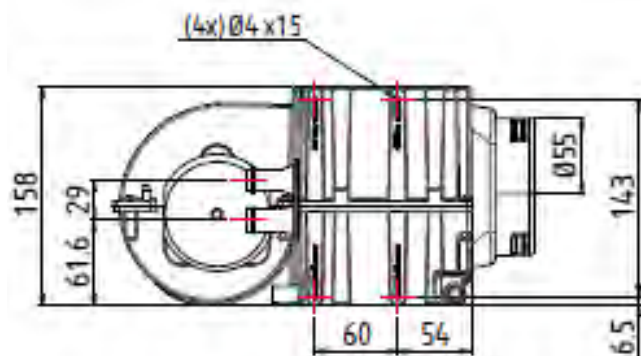
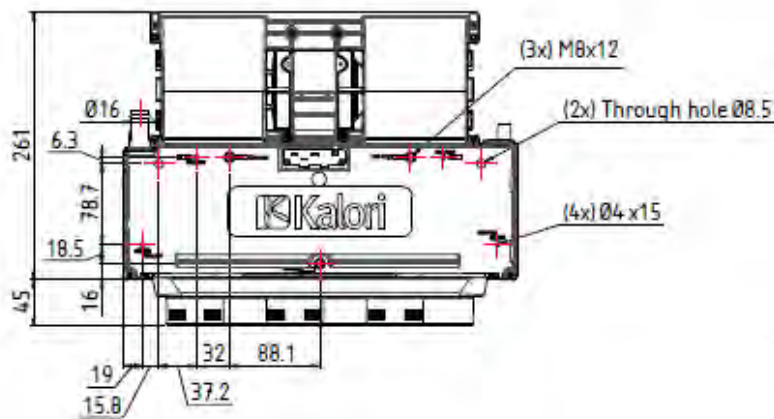
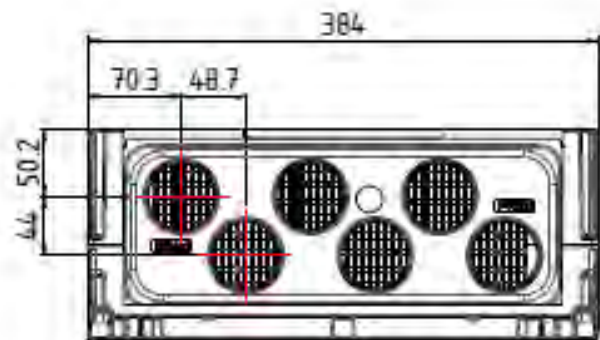
HEKKOOL

- Water Heat Exchanger.
- Heating 10Kw.
- Air flow 520m³/h.
- 3 speed fan.
- 6 x 55mm outlets.
- 16mm radiator pipe.
- Kalori Kool has aluminium componentry, does not have a copper content coming into contact with fluids.
- 24V. 180w power consumption.
- Size 384mm x 306mm x 158mm.



Other products in the range

HEKKOOLB Replacement Blower Motor



Kosto Kalori Underseat Heater 12V & 24V

HEKK2_ _ _

- This surprisingly powerful but very quiet and lightweight French made heater offers the efficiency of a significantly larger heater. It's compact size offers options of fitting in areas where other heaters on the market would not fit.
- Underseat, 2 speed noiseless heater.
- Water-heat exchanger with a brushless motor, this heater has a extruded aluminium body and a polycarbonate injected grille.
- Aluminium componentry, does not have a copper content coming into contact with fluids.
- Calorific Power: 3300Kcal/H.
- Heating Power:3.8 kW.
- Air Flow: 220 M3/H.
- Electrical Power: 20W.
- Water Connection: Diameter: 16mm.
- Dimensions; 125mmH x 125mmD x 340mmL.



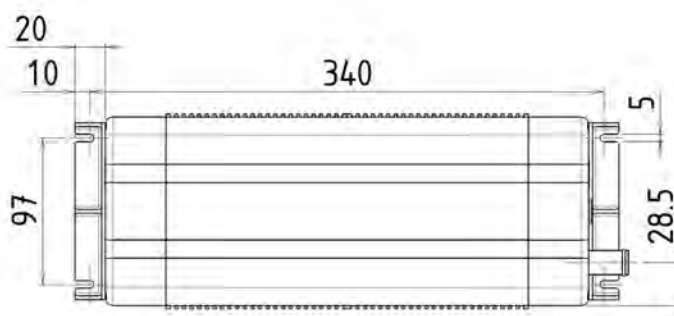
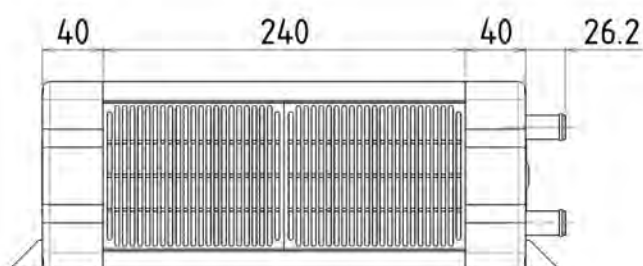
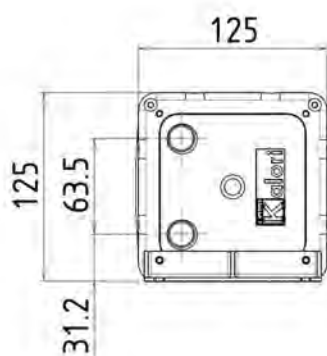
Products in the range

HEKK2 24Volt

HEKK212V 12Volt



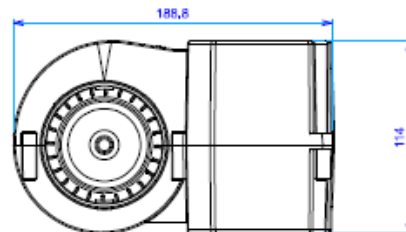
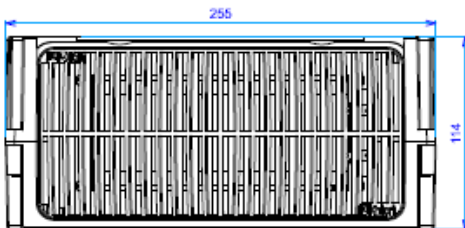
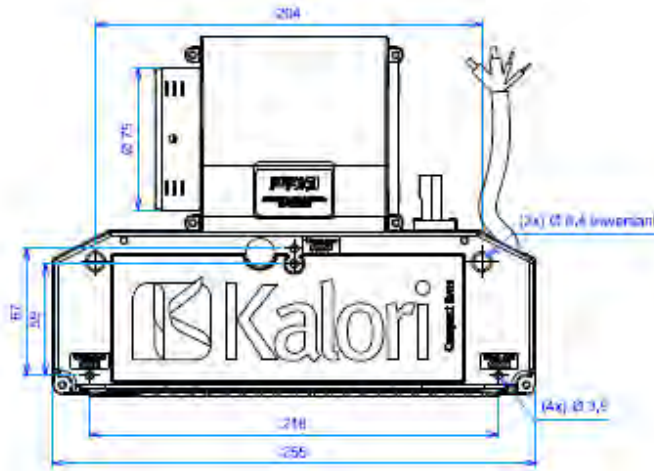
Kosto Kalori Heater 24V HEKK2



Kalori Electric Heater 24V 1.7kw

HEKKELEC

- The first full electric under-seat heater on the market. If you have a bus with no heaters under the seats you can now install heating at an affordable price without the hassle of running pipework and the issues that go with it.
- No installing water pipes and lagging required.
- No limitations placed on where you can mount it.
- Dimensions 252mm x 112mm x 190mm.
- Heater Electrical consumption 74A.
- Blower Electrical consumption 100W.
- Noise level 63db.
- Airflow 230 m3/h.



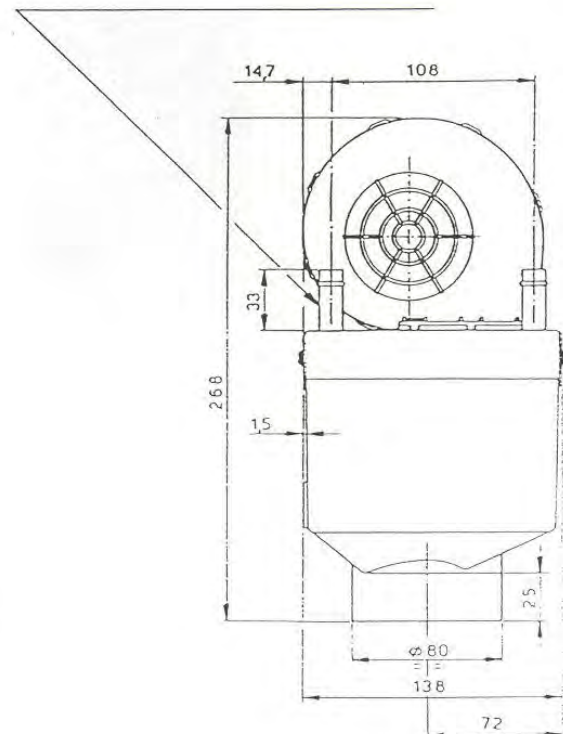
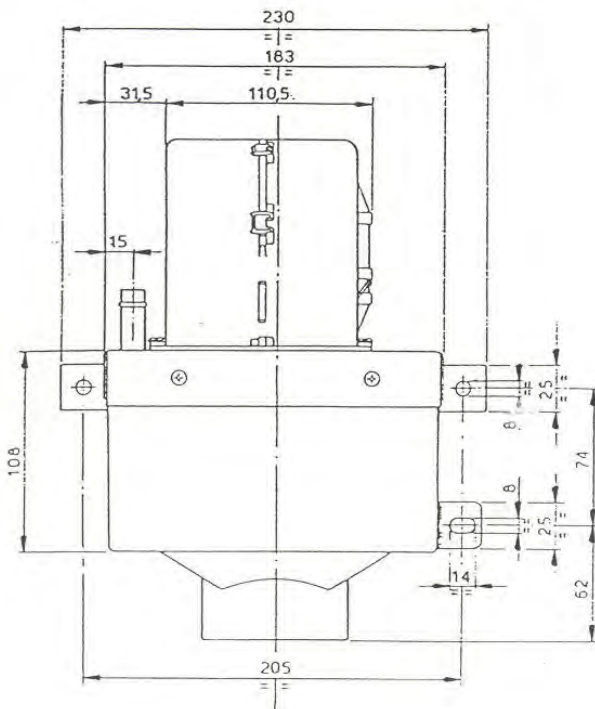
Spal Underseat Heater 24V

HE9006

- Water Heat Exchanger.
- 2.9kg, 3400 Kcal/h. 170 m³/h air flow. 7.5L/Min water flow.
- Tubular aluminium radiator.
- 13mm diameter inlet/outlet pipes.
- 4,000 hour motor life (approx ½ full speed).
- Tubular core.
- Thermic and amperometric motor protection.
- Dimensions 230mm x 140mm x 270mm.
Mounting centres 205mm and 73mm.
- Replacement motor HEBS available.



24v



Spal Centrifugal Motor Fan 12V

HEBD12

- 3 Speed, 1,8kg. 1050m³/H Air Flow (max).
- 351mm x 140mm x 166mm overall.
- Long Life Motor. Sealed Ball Bearings. 8,000 hours life (approx).



Spal Centrifugal Motor Fan 24V B40

HEBD

- 3 Speed, 2.2kg. 1050m³/H Air Flow.
- 351mm x 140mm x 166mm overall.
- Very Long Life, Low Noise Motor. Sealed Ball Bearings. 11,000 hours life (approx). Current draw min 4.5 amps. Max 13.5 amps (extreme conditions).



Spal Centrifugal Motor Fan 24V B50 Double Blower

HEBDL

- 3 Speed, 2.2kg. 1200-m³/H Air Flow.
- 351mm x 140mm x 166mm overall.
- Very Long Life, Low Noise Motor. Sealed Ball Bearings. 11,000 hours life (approx). Current draw min 4.5 amps. Max 13.5 amps (extreme conditions).



Spal Single Blower Motor Unit For HE9006

HEBS

- Single blower motor to suit HE9006. Spal part #008-B100-93D. 260m³/h air flow.



Spal Heater/Demister Replacement Motor

HE9023B

- Spal motor, originally off the Spal HE9023 heater demister.
- 7400 Kcal/h. 540 m³/h air flow.
- Dimensions 360 mm x 126 mm x 235 mm. 24v.
- Long life low noise motor (11,000 hours approx). Tubular core. Thermic and amperometric motor protection. Type 005-B45-02 24V - printed on Spal motor label.



Spal Nordika Blower

HEKNORDB

- Blower unit replacement for HEKNORD.
- Air flow 830m³/h. 3 speed fan. Very Long Life, Low Noise Motor. Sealed Ball Bearings. 11,000 hours life (approx). Current draw min 4.5 amps. Max 13.5 amps (extreme conditions).



Spal Jet Vent Duct Type 01

HEVTSP01

- Diameter = 101mm. Cut Out = 78mm.
- Adjustable flow / direction.
- Hose ID + 70mm.



Spal Hose Adaptor 50mm

HEVTSP17

- For use with HEVTSP01.



Spal Jet Vent Duct Type 03

HEVTSP03

- Diameter = 102 mm. Cut Out = 78 mm. Hose ID = 70 mm.
- Adjustable flow / direction.



Kalori Louvre Vent

HEVTKL50

- High quality Kalori 84mm diameter dash vent with detent for positive positioning. Hole size 76.3mm. Suited to 50mm ducting.



Kalori Louvre Vent Adaptor 50 to 60mm

HEVTKA

- Ducting adapter for 50mm to 60mm step up/step down.



Happich Adjustable Grill Vent Black

VTHAG

- Adjustable and Open/Close air flow.
- 160 mm x 35 mm.
- Cut Out: 140 mm x 32 mm



Kalori Plain Grill Vent

VTKGV

- Plain grill vent suitable for luggage rack air flow. Overall 192mm x 40mm. Mounting points 182mm. Depth 9mm. Cut out 32mm x 168mm.



Service Unit RAL9023 Dark Grey

VTSUSDG

- Service unit 24v 8ohm speaker with LED lights, call button, speaker mute dark grey.
- Dimensions: Length 330mm. Width 200mm. Depth 40mm. Height 28mm.



Service Unit Dark Grey Woodgrain insets

VTSU12159

- Service unit in dark grey with woodgrain insets. LED lights.
- Alternative Grey/Silver insets are available separately VTSU12159R.
- Size 200mm x 300mm.



Grey/Silver Inset Rings For VTSU12159

VTSU12159R

- Alternate insets.



Happich Modular Roof Hatch and Escape System

VTHE

- 4 way ventilation.
- Weight: 13kgs. Cut Out: 520mm x 945mm.
Roof Thickness: 45 to 65mm.
- IN AN EMERGENCY BREAK GLASS. Complete with inner trim panel, integrated emergency hammer and hammer support.



Happich Modular Roof Hatch and Escape System without Inner Trim

VTHEMT

- Emergency Hatch with 4 way ventilation and emergency hammer included. No inner trim panel.



Happich Escape Hatch Spare glass

VTHESG

- To fit VTHE and VTHEMT.



Happich Modular Roof Hatch Inner Panel Only

VTHET

- Plastic inner trim panel for Happich Escape Hatch VTHE.
- Does not include red cover.



Maxx Fan 14 x 14 12 Volt Manual White Lid

VTMFMO

- Air intake and exhaust functions. 2 year warranty. Insect screen. 3 fan speeds. 14 x 14, fits standard vent hole. Rain shield enables the vent to be left up when raining.



Maxx Fan 14 x 14 12 Volt White Lid With Remote Control

VTMFDR

- Maxx Fan Deluxe with rain proof shield. 10 speed fan with remote control. 14 x 14 (356mm x 356mm). Amp draw 0.17 on low. 2.6 on high, Permanent air flow.



Roof Vent 4 Way

VTJ06382

- 4 way tilt & full opening. Ventilation when closed. Complete with mesh screen.
- Cut out 280mm x 280mm. Overall 340mm x 340mm.



Roof Vent 4 Way

VTJ06387

- 4 way tilt & full opening complete with mesh. Provides ventilation when closed.
- Cut out 400 mm x 400 mm. Overall 465mm x 465 mm.



Ventline Replacement White Lid

VTES14VLW

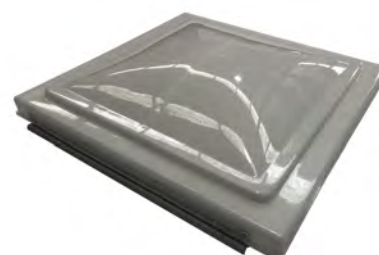
- Replaces lid on Ventline vents VTE14VMW & VTE14VWF.



Vent Lid White Old Style Elixir 14" x 14"

VTES14EW

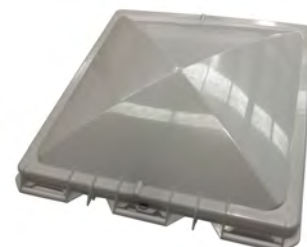
- Old Style Elixir vent lid white 14" x 14".



Vent Lid for Jensen & Heng's 14" x 14" White

VTES14JLW

- New type Jensen.



Hinged Spring Lid Vent

VTJSL_

- Aluminium frame with seal. Black polycoat pressed steel top.

Products in the range

VTJSLM Cut Out Dimensions = 192mm x 101mm
Overall size = 238mm x 147mm

VTJSL Cut Out Dimensions = 220mm x 170mm
Overall size = 265mm x 214mm



Kalori Roof Vent

VTERV

- Low profile Electric roof vent (59mm). High flow 250m³/h but only 47dB. 12v 15w.
- Makes it ideal for hazardous goods vehicles/ dog boxes, display vehicles or for when your bus is stationary and you want a low current draw roof vent to remove hot air.
- Cut Out 202mm Diameter. Overall 305mm x 310mm.



CentaFlow Wind Powered Rotary Ventilator

VTS111BK

- Pre-assembled slimline ventilator equipped with internal adjustment panel & vent plate. Singapore NMB 608Z bearings. Integrated neoprene sealing gasket.
- 220mm Width x 60 Height & 80mm cut-out.
- Black ABS Plastic.
- Extracted volumetric flow rate of 17.2 litres per second at 100kpm.



CentaFlow Wind Powered Rotary Ventilator

VTS222WT

- Pre-assembled slimline ventilator equipped with internal adjustment panel & vent plate. Singapore NMB 608Z bearings. Integrated neoprene sealing gasket.
- 220mm Width x 60 Height & 80mm cut-out.
- White ABS Plastic.
- Extracted volumetric flow rate of 17.2 litres per second at 100kpm.



Rotary Vent Plastic White

VTS500P

- Venturi vent. Draws air out. Designed to sit on transport vehicles, trailers, floats, dog boxes and marine vessels. Stainless steel centre shaft and high grade plastic makes this corrosive and impact resistant.
- Mounting Flange: 140mm. Cut Out Size: 97mm. Protrusion from Roof: 125mm.



Rose Vent Round Plastic

VTRV1

- Internal use, round vent cover, open and close positions.
- 160mm diameter.
- Can be used in conjunction with our vents, VTS500P, VTSZ203, VTS111BK, VTS222WT amongst others.
- Ideal for vans, horse floats and camping trailers.



Exterior Muller Vent White

VTSZ203

- Venturi Extraction Action.
- 285 mm x 185 mm. Inside Hole: 130 mm x 140 mm. Protrusion from Roof: 55mm.



Caravan Lid Angled 620 x 620mm

VTLWA

- Opaque virgin polyethylene roof lid for motorhome or caravans. Angled.



Caravan Lid Flat 620 x 620mm

VTLWF

- Opaque virgin polyethylene roof lid for motorhome or caravans. Flat.



Aluminium Louvre Vent

VTAL_ _ _

- Pressed aluminium with louvres.
- 300mm wide.

Products in the range

VTAL300 300mm x 300mm high

VTAL225 300mm x 225mm high

VTAL150 300mm x 150mm high



Inspection Port Black - Small

VTIPBK

- Water tight inspection port.
- Outside Diameter 145mm. Inside Diameter 102mm.
- Cut Out 113mm.



Inspection Port Black - Large

VTIPLBK

- Water tight inspection port.
- Outside Diameter 210mm. Inside Diameter 152mm.
- Cut Out 160mm.



Inspection Port White - Small

VTIPWT

- Water tight inspection port.
- Outside Diameter 145mm. Inside Diameter 102mm.
- Cut Out 113mm.





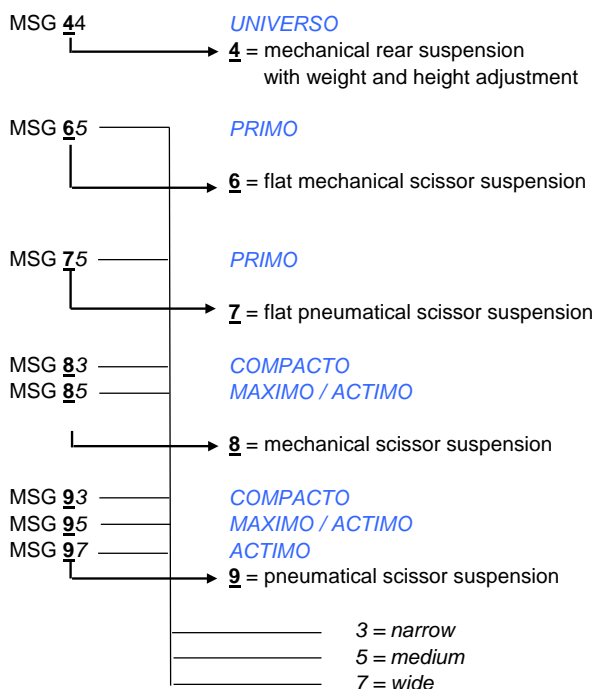
Reid and Twiname are the sole New Zealand distributor for GRAMMER – the leading manufacturer of driver seats for agricultural and construction vehicles, tractors, forklifts, buses and trucks.

- GRAMMER vehicle seats are manufactured to be ergonomic, user-friendly, comfortable and safe.
- The GRAMMER brand stands for mobile comfort and safety. The company is driven by a passion for creating quality seating solutions for people who use vehicles as one of their primary work tools.

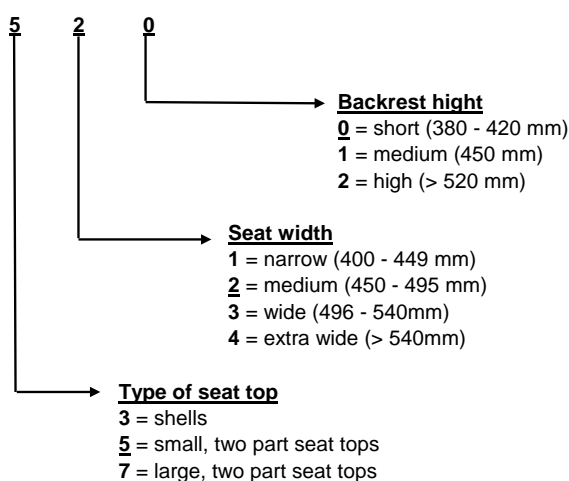


PRODUCT DESIGNATIONS OFFROAD

Suspensions



Seat tops



Weight Adjustments

- G** = manual weight adjustment
- A** = Automatic weight adjustment
- L** = Low frequency (important for tractors with cabin or axle suspension)

Rating plate



The rating plate is fixed on the back of the seat frame/top of suspension unit.

The rating plate shows the following information (example):

(A) **DESIGNATION** = MSG95A(L)

(B) **INVENTORY NO.** = 1050365

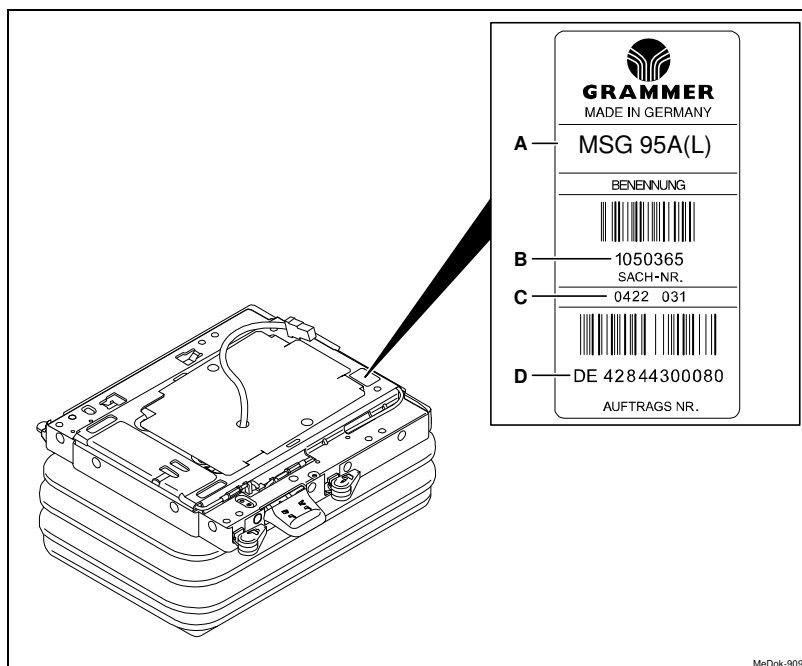
(C) **YEAR / CW / Assembly**
= 0422 031

- year of manufacture = 04 (2004)
- built in week = 22 (May)
- assembly = 031

(D) **ORDER NO.** = DE 42844300080

Note:

Please quote the designation when ordering



Material no. 140 534_h

Maximo XL MSG95/731

STGMAXXL

Professional Tractor Seat - High Comfort Seat with Low-Frequency Air Suspension

- Tractors with axle and cabin suspension have a low resonant frequency. GRAMMER therefore developed a low-frequency suspension especially for them. It absorbs vertical vibrations and jolts, thus preventing the seat from bouncing in critical situations as a result of resonance build-up. It's a fact that suspensions with a lower natural frequency result in a more comfortable ride.
- Air Suspension with Compressor (12v).
- Automatic positioning system.
- Fore/Aft isolator.
- Folding 60mm arm rests.
- Manual lumbar support.
- Fore/Aft adjustment 210mm.
- Swivel 20°.
- Fabric upholstery.
- Adjustable seat cushion depth and angle.
- 530mm seat width.
- Complete with backrest extension/ head rest.
- GRAMMER part number 1288547.



Parts and Accessories

Air bag STGMAXXLAB GRAMMER #1081314

12V Compressor STGMAXXLC GRAMMER #1096562

Air hose Kit STGMAXXLHK GRAMMER #1096565

Shock Absorber STGMAXXLSA GRAMMER #139043

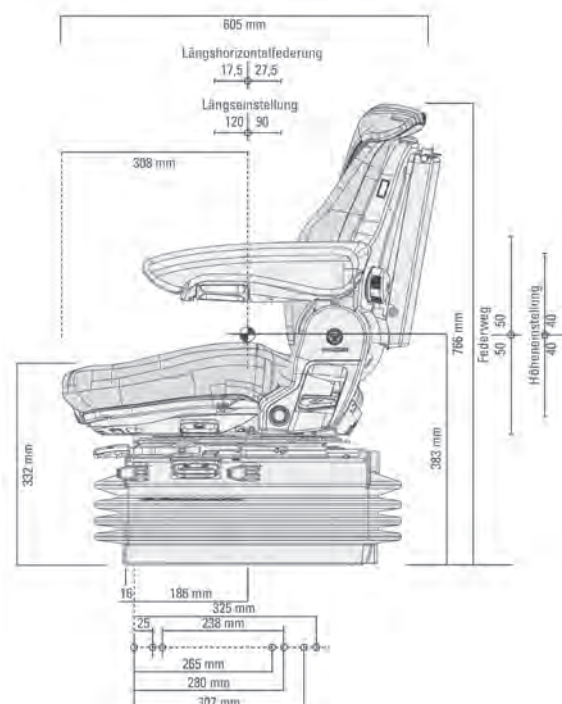
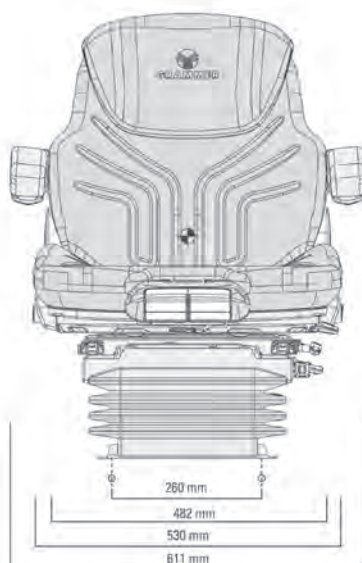
Wear Kit STGMAXXLWK GRAMMER #1076979

Complete suspension base STGMAXXLSB
GRAMMER #1271545

Level Control STGMAXXLLC GRAMMER #1081313

Level Control Lever Kit STGMAXXLLCL
GRAMMER #1271934

12v



GRAMMER Maximo XL MSG95/731 Air Bag

STGMAXXLAB

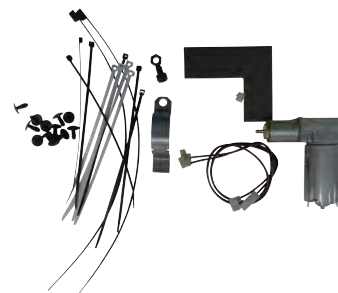
- Air bag for GRAMMER MSG95A and AL suspension base.
- GRAMMER part #1081314.



GRAMMER Maximo XL MSG95/731 Compressor 12v

STGMAXXLC

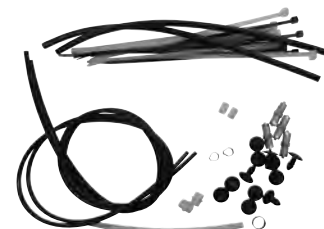
- Compressor for GRAMMER MSG95G, A and AL suspension base.
- GRAMMER part #1096562.



GRAMMER Maximo XL MSG95/731 Air Hose Kit

STGMAXXLHK

- Air hose kit for GRAMMER MSG95G, A and AL suspension base.
- GRAMMER part #1096565.



GRAMMER Maximo XL MSG95/731 Shock Absorber

STGMAXXLSA

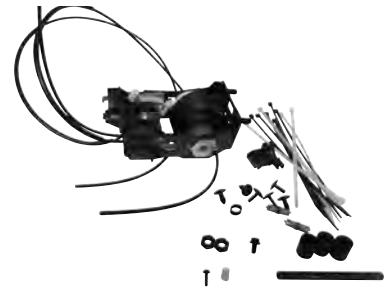
- GRAMMER part #139043.



GRAMMER Maximo XL MSG95/731 Level Control Mechanism

STGMAXXLLC

- For MSG95A and AL suspension bases.
- GRAMMER part #1081313.



GRAMMER MSG95/731 Level Control Lever Kit

STGMAXXLLCL

- Kit includes level control handle.
- GRAMMER part #1271934.



GRAMMER Maximo XL MSG95/731 Base

STGMAXXLSB

- MSG95AL suspension base. Forward and aft isolator. Low frequency vibration technology. A replacement for most MSG95 suspension bases including A and G models.
- GRAMMER part #1271545.



GRAMMER Maximo XL MSG95/97 Wear Kit

STGMAXXLWK

- GRAMMER part number 1076979.



GRAMMER Maximo M MSG85/721

STGMAXM

Standard Seat with Mechanical Suspension

- In order for a seat with mechanical suspension to be truly comfortable, it must be precisely adjusted to the user's weight. In the Maximo Basic, this is accomplished with an easy-to-use lever. Ideal for drivers of standard tractors.
- Suspension travel of 80 mm.
- Fore/aft adjustment 210mm.
- Three-position height adjustment.
- Manual weight adjustment.
- Mechanical lumbar support.
- Adjustable back rest.
- Seat cushion width 480mm.
- Armrests 60mm wide.
- GRAMMER part number 1288549.



Parts and Accessories

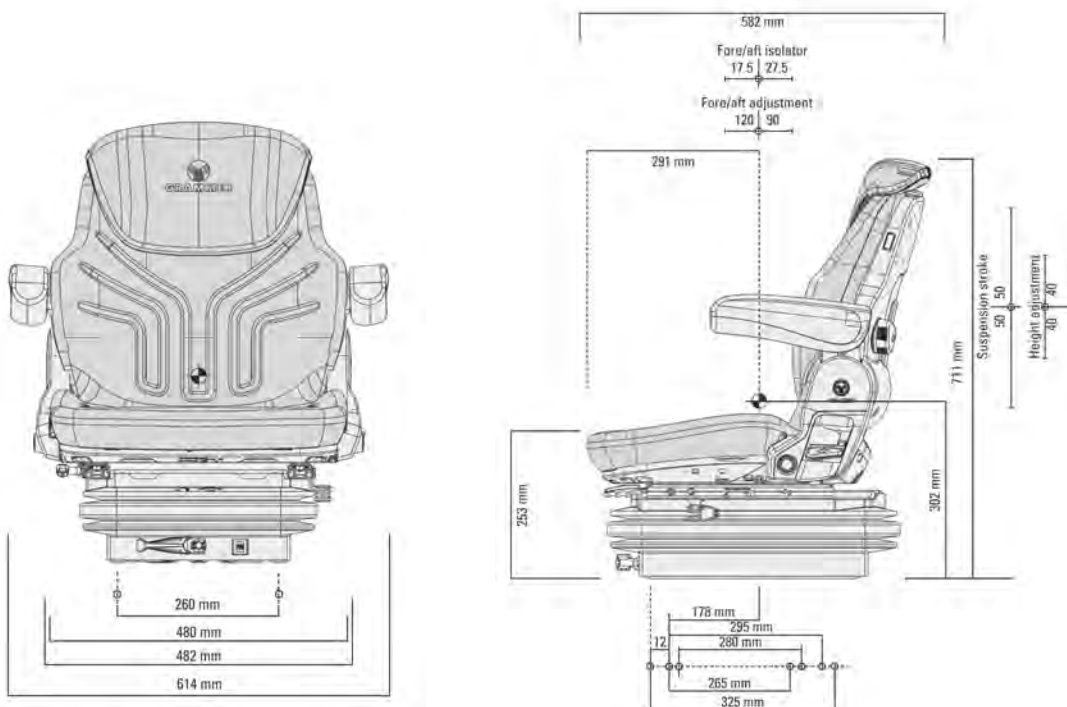
Right and Left Armrests STGMAXARR/L GRAMMER #1039312/1039311

Rollers STGMAXMR GRAMMER #107681

Limit Switch STGMAXMLS GRAMMER #1048442

Shock Absorber STGMAXMSA GRAMMER #122781

Suspension Base STGMAXMSB GRAMMER #140428



GRAMMER Maximo M MSG85/721 Mechanical Suspension Vinyl

STGMAXMV

Mechanical Suspension

- MSG85/721 Forklift and Construction seat.
- Non adjustable shock absorber.
- Suspension stroke 80mm.
- Height adjustment 60mm 3 steps.
- Fore/aft adjustment 210mm.
- Seat belt.
- Operator pressure switch.
- Mechanical lumbar support.
- Adjustable back rest.
- Seat cushion width 480mm.
- Armrests sold separately.
- GRAMMER part number 1012109.



Parts and Accessories

Left Hand Arm Rest STGMAXARL GRAMMER #1039311

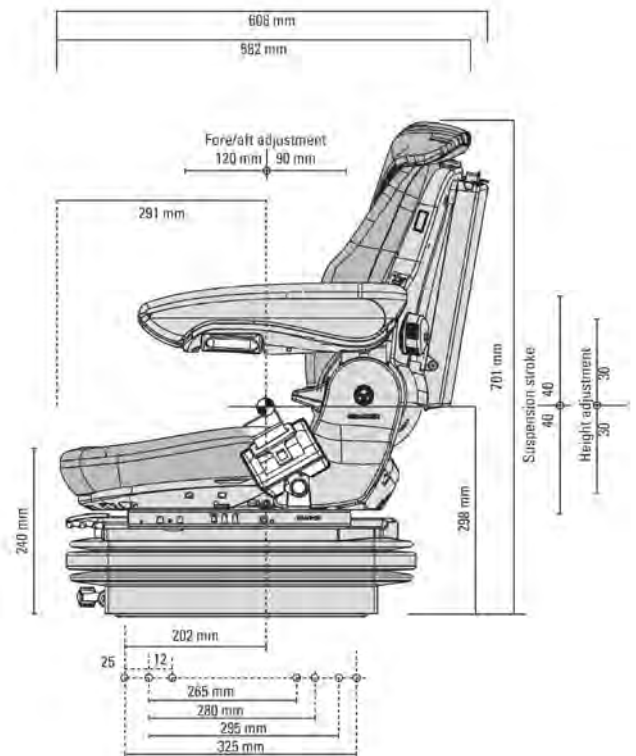
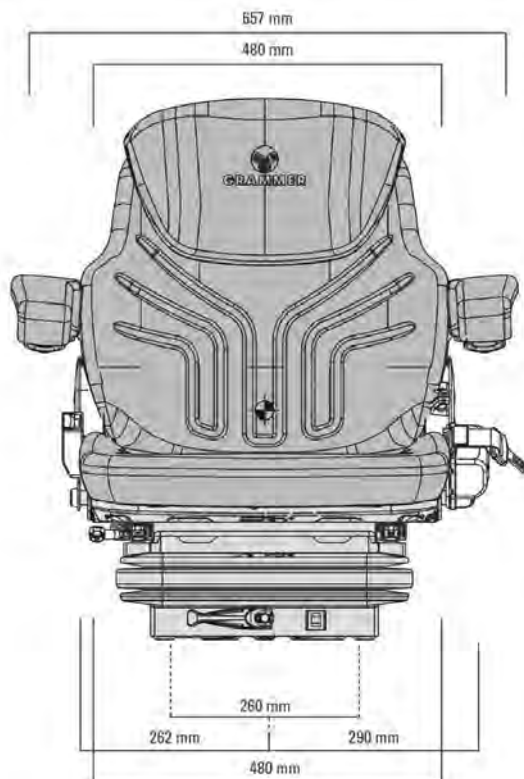
Right Hand Arm Rest STGMAXARR GRAMMER #1039312

Rollers STGMAXMR GRAMMER #107681

Limit Switch STGMAXMLS GRAMMER #1048442

Shock Absorber STGMAXMSA GRAMMER #122781

Suspension Base STGMAXMSB GRAMMER #140428



GRAMMER Maximo M MSG85/721 Armrest

STGMAXAR_

Products in the range

STGMAXARR Right Hand GRAMMER #1039312 (shown)

STGMAXARL Left Hand GRAMMER #1039311



GRAMMER Maximo M MSG85/721 Rollers

STGMAXMR

- GRAMMER part #107681.



GRAMMER Maximo M MSG85/721 Limit Switch

STGMAXMLS

- GRAMMER part #1048442.



GRAMMER Maximo M MSG85/721 Shock Absorber

STGMAXMSA

- GRAMMER part #122781.



GRAMMER Maximo M MSG85/721 Suspension Base

STGMAXMSB

- GRAMMER part #140428.
- Mechanical suspension base complete.



GRAMMER Maximo SE MSG95G/721 12V

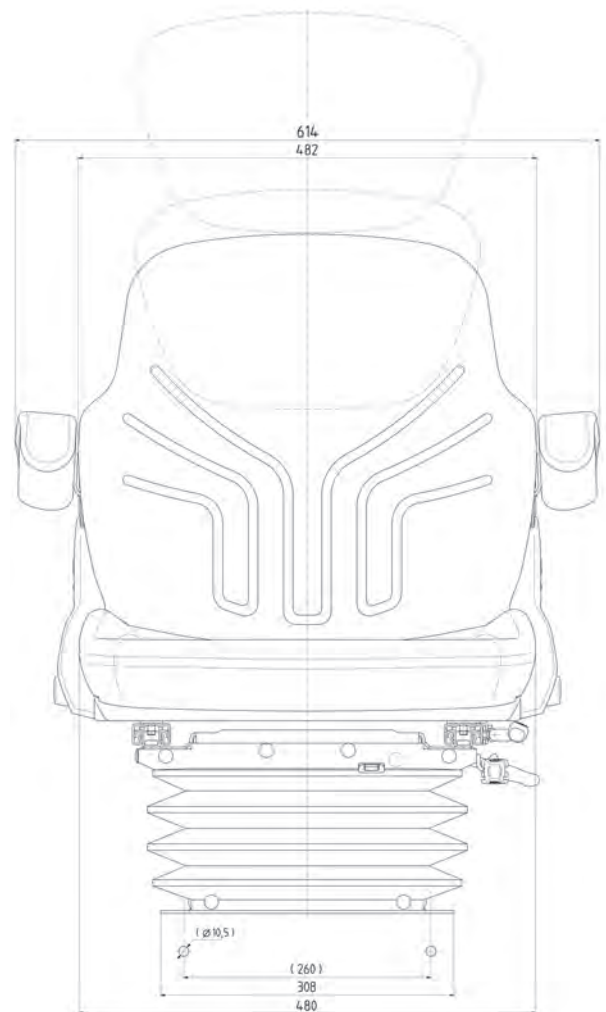
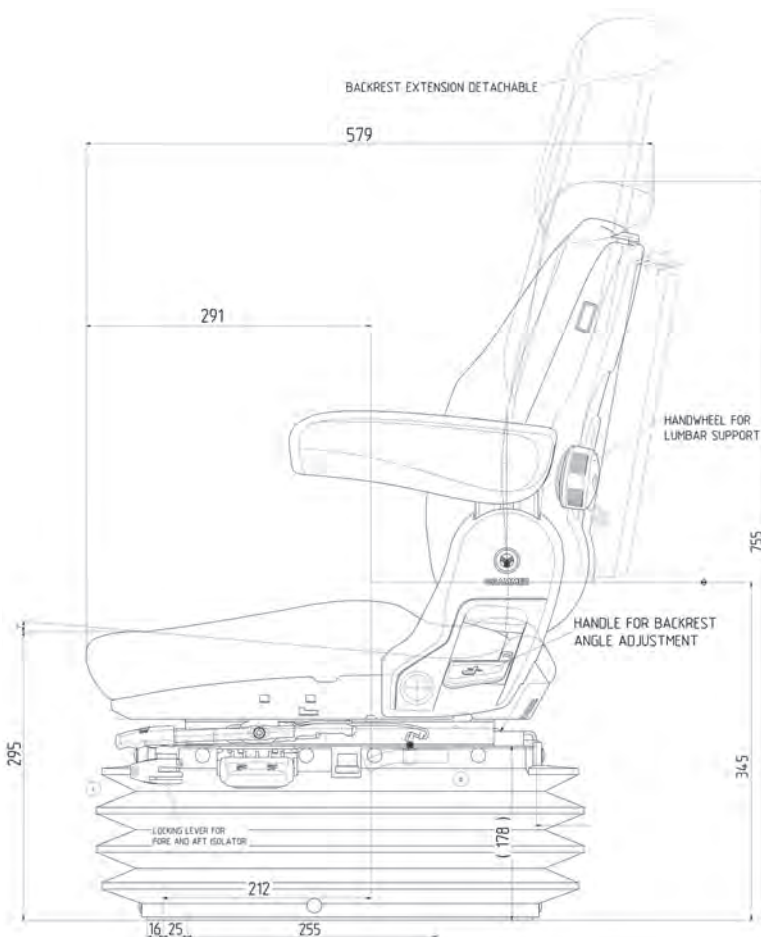
STGMAXSE

Air suspended comfort seat with mechanical lumbar support

- Suspension travel 100mm.
- Manual weight adjustment (50kg - 130kg).
- Air supported combined stepless height adjustment 80mm.
- Wide seat cushion (480mm).
- Height and angle adjustable armrests (65mm x 270mm).
- Fore/aft isolator.
- Adjustable backrest angle.
- GRAMMER part number 1248637.

Note **Head rest shown in picture is not included or stocked in NZ Grammer part number for head rest/backrest extension is 140659**

12v



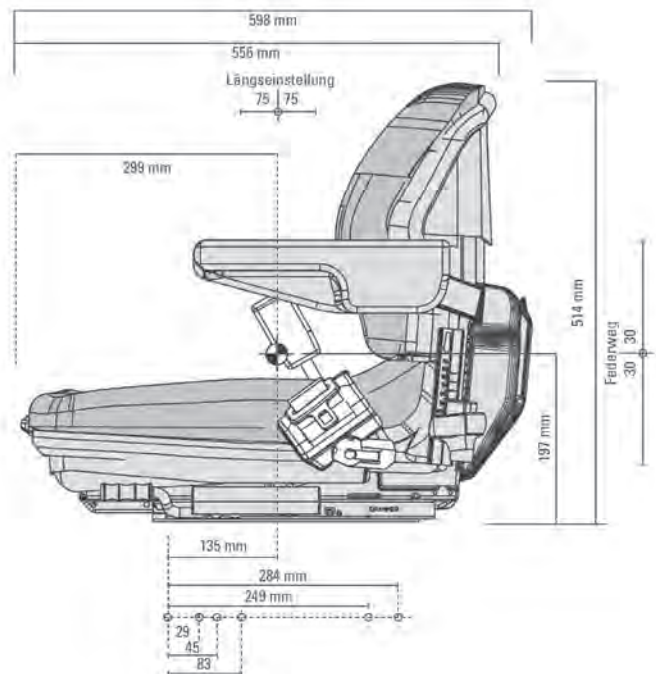
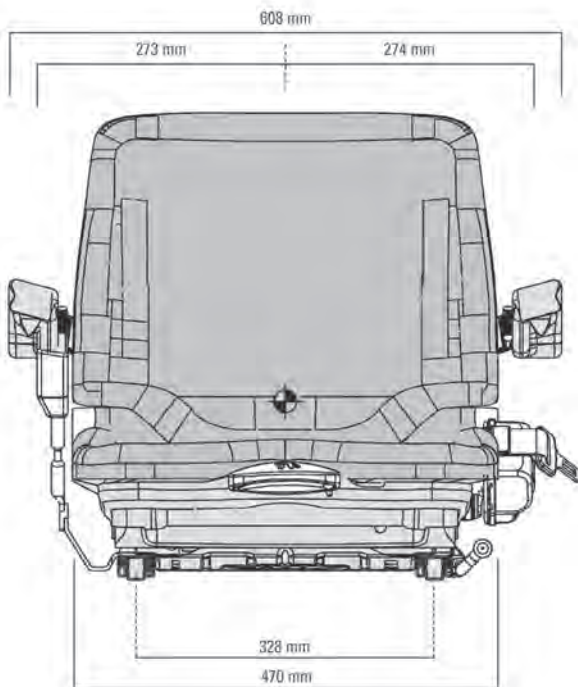
Detailed diagrams can be downloaded from our website.

GRAMMER MSG20

STGMSG20

Full Suspension Seat

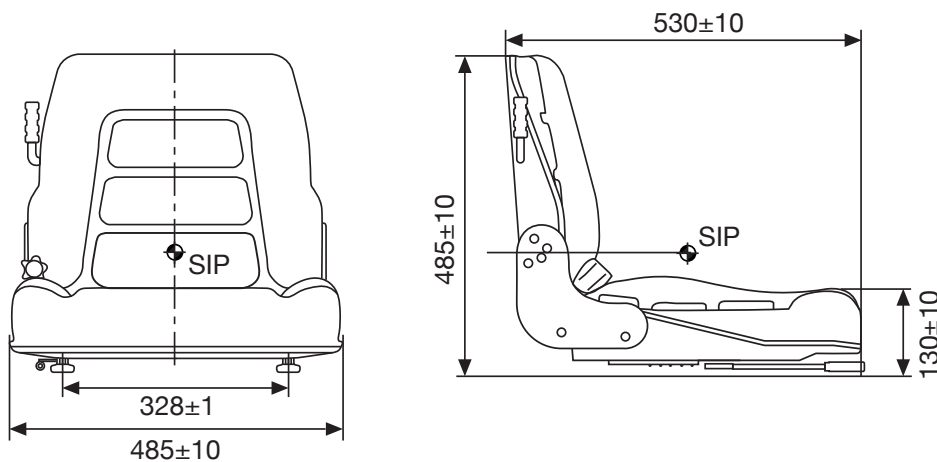
- Black vinyl ex stock. Suitable for vehicles with low overhead clearance. (forklifts and small construction machinery).
- 470mm width.
- Back Rest/Seat Pan Adjustment.
- Weight Adjustment 50 -130kg.
- Fore/Aft Adjustment 150mm.
- Suspension stroke 60mm.
- GRAMMER part number 141999.



GRAMMER Forklift Seat B12

STGGS12B

- The B12 is built with a rugged toughness and advanced, shock-absorbing materials so it can stand up to any job. Black vinyl ex stock.
- Durable Vacuum Formed Upholstery Easily Replaced.
- Semi Suspension 40mm.
- Fore/Aft Adjustment 150mm.
- Adjustable Back Rest 15 degrees.
- Weight Adjustment 50-120kg.
- Overall Width - 485mm. Overall Height - 485mm.
- Slide Centres - 328mm.
- GRAMMER part number 1127770.



GRAMMER Maximo Seat Base MSG97AL 12V

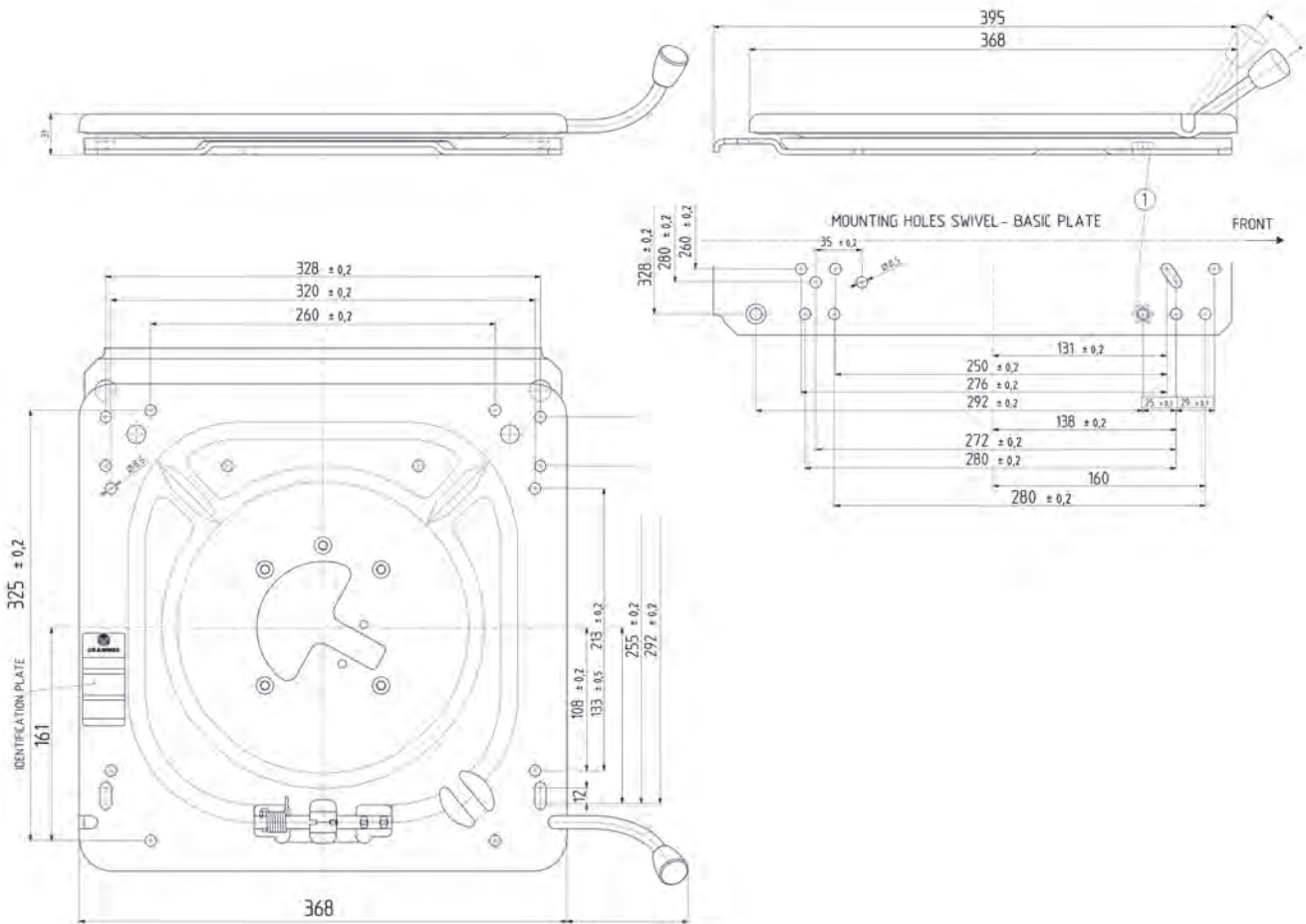
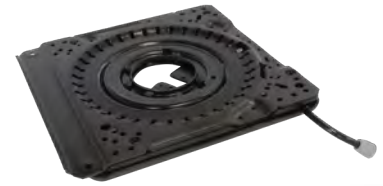
STGMAX97ALSB

- Maximo Air suspended seat base only MSG97AL.
- 12V, Forward and aft isolator.
- Low frequency vibration technology.
- A replacement for most 12V MSG97 suspension bases.
- Suspension travel 100mm.
- Automatic Weight Adjustment.

GRAMMER 360 Degree Universal Seat Swivel

STGUSV

- 360 degree swivel compatible with most GRAMMER Actimo M and Maximo M, B12, GS12, MSG85, MSG95, MSG65 Primo, fork lift seats, tractor seats, construction machinery seats, heavy machinery seats.
- Refer to drawing for mounting hole points, note there is slotted holes at the front to allow for a 12mm variance in the measurements front to back.
- GRAMMER part #1230818.



Detailed diagrams can be downloaded from our website.

GRAMMER Actimo MSG85/722 Seat Slides

STGACTMSS

- GRAMMER part #140927.

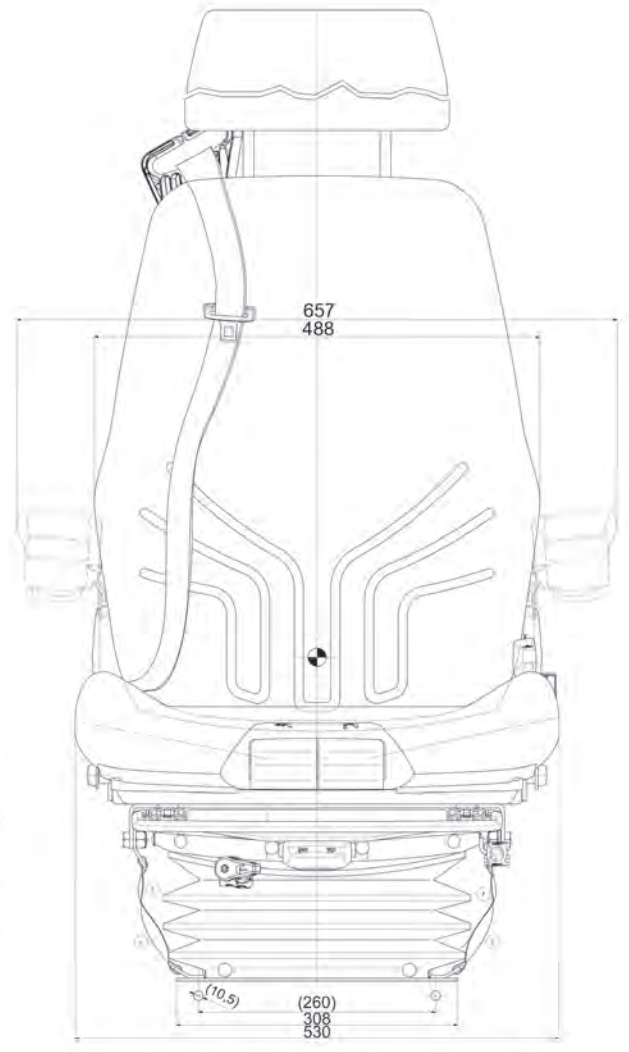
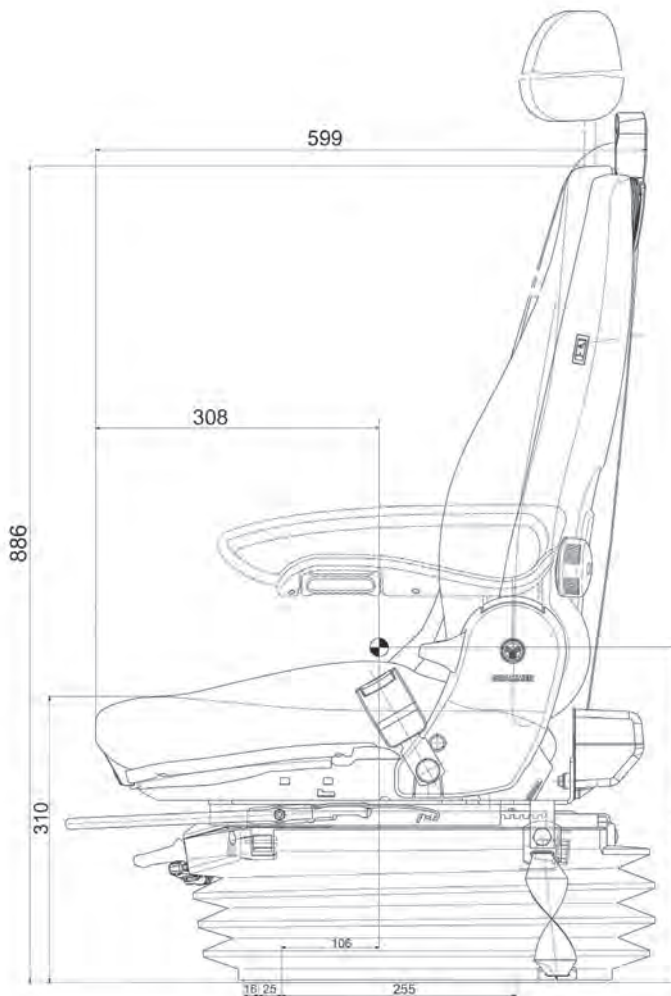


GRAMMER Actimo XL MSG95AL/732 24V 3 Point Harness

STGACTXL3

Available on Indent Only

- Air suspended Comfort seat 24 Volt.
- Automatic seat positioning.
- 100mm vertical stroke.
- Automatic weight adjustment 50 - 130KG.
- 210mm fore and aft adjustment with isolator.
- Forward mounted controls.
- Integrated 3 point harness.
- Adjustable backrest angle.
- 490mm seat cushion width.
- Fabric covered.
- GRAMMER part number 1249955.
- Arm rests and head rest not included with this part number, GRAMMER part numbers are (Headrest 1162887) (LH Armrest 1026778) (RH Armrest 1026779).



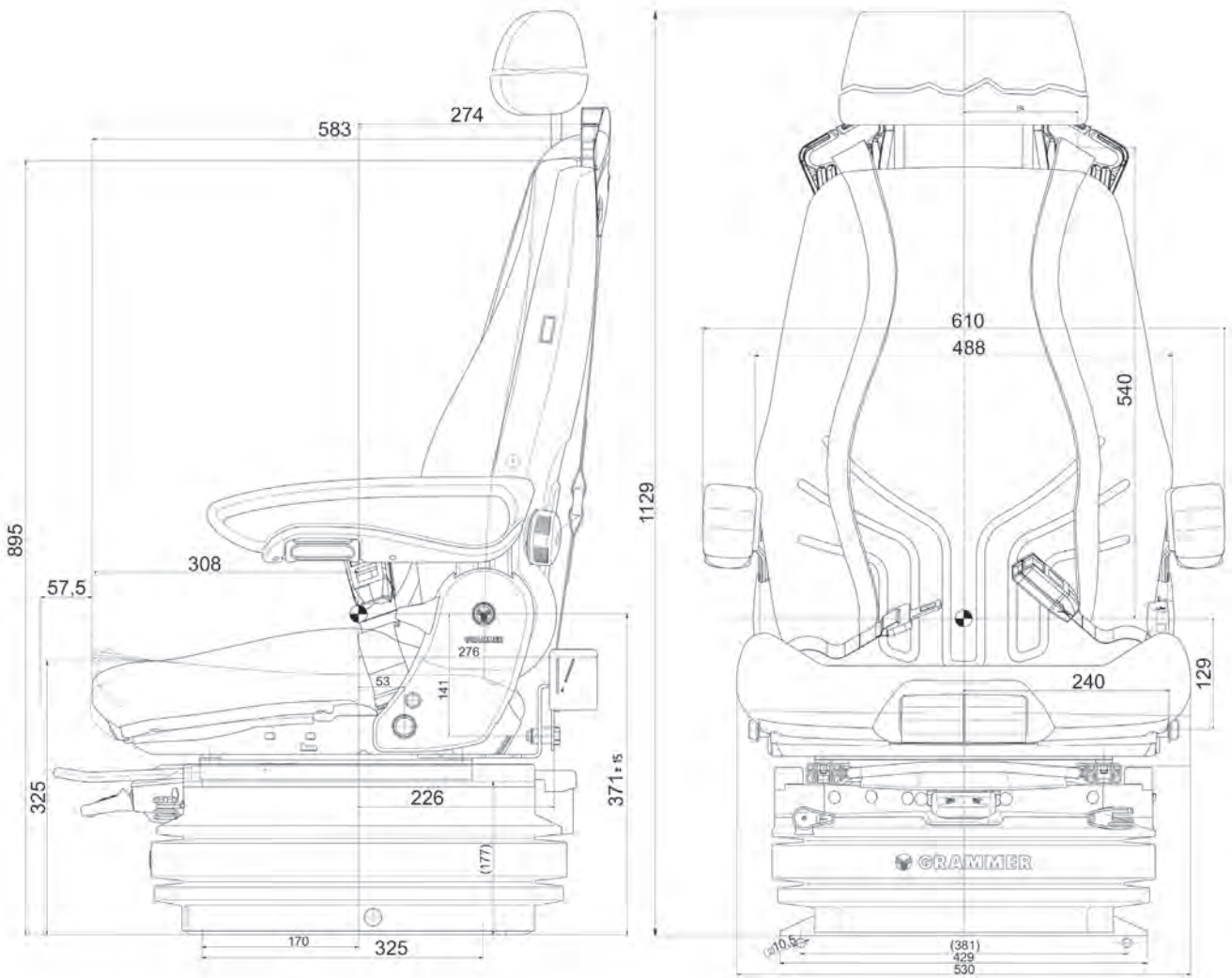
Detailed diagrams can be downloaded from our website.

GRAMMER Actimo XL MSG97AL/732 24V 4 Point Harness

STGACTXL4

Available on Indent Only

- Air suspended Comfort seat.
- 24 Volt.
- Automatic seat positioning.
- 100mm vertical stroke.
- Automatic weight adjustment 50 - 130KG.
- 210mm fore and aft adjustment with isolator.
- Forward mounted controls.
- Integrated 4 point harness.
- Adjustable backrest angle.
- 490mm seat cushion width.
- Fabric covered.
- GRAMMER part number 1169023.



Detailed diagrams can be downloaded from our website.



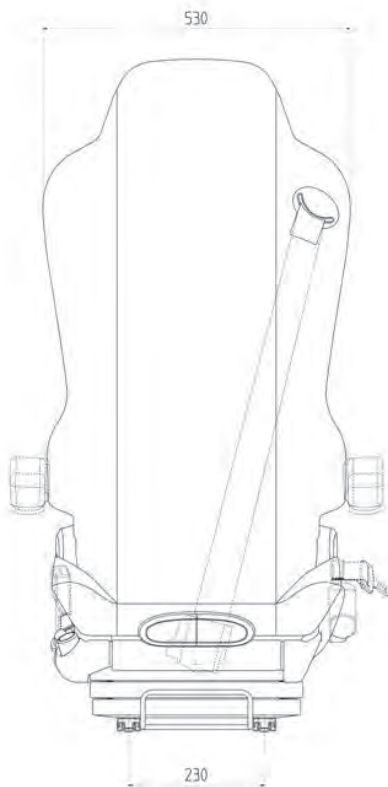
Air Operated Drivers Seat MSG90.6

- A GRAMMER MSG90.6 seat gives bus drivers the active support they need for passive safety in the workplace. With just a few adjustments, it turns into a fully customised seat that precisely meets every driver's individual requirements. The non-seatbelt version comes upholstered whereas the belted version is available either un-upholstered or upholstered. Both are available ex stock.
- The innovative ergonomic shape and easy to use controls promote a healthy posture at all times. The adjustable shock absorber ensures driver stability no matter what the road surface and the 50° right - 90° left swivel reduces foam and fabric wear.
- A two airbag lumbar support for the lower and mid range spinal areas help provide maximum support. Side airbags adjust to offer lateral support and ensure the driver has greater freedom.
- Spare parts available ex stock.

Tourea Upholstered STGMSG906T
Tourea Unupholstered STGMSG906



Linea Upholstered STGMSG906WB



Parts and Accessories

- Air Spring Kit STGMSG906ASK GRAMMER # 1029434
- Bowden Cable For Seat Angle Adjustment STGMSG906BCSAA GRAMMER # 1026509
- Backrest Extension Handle STGMSG906BEH GRAMMER # 1161985
- Seat Belt STGMSG906BELT GRAMMER # 1075622
- Backrest Recliner Mechanism STGMSG906BRM GRAMMER # 1125588
- Mounting Base STGMSG906CB GRAMMER # 137842
- Control Rack STGMSG906CR GRAMMER # 1146555 GRAMMER # 1146555
- Fore & Aft Adjustment Seat Slide STGMSG906FAA GRAMMER # 1078405
- Heavy Duty Shock Kit STGMSG906HSK GRAMMER # 1072266
- Level Control STGMSG906LC GRAMMER # 1143669
- Lumber Valve Block and Buttons STGMSG906LVBC GRAMMER # 1117923/136985
- Plastic Side Cover Right STGMSG906PSC GRAMMER # 1061190
- Plastic Side Cover Left STGMSG906PSCL GRAMMER # 1061192
- Seat Shock Absorber STGMSG906SA GRAMMER # 1094942
- Seat Angle Adjustment Parts STGMSG906SAA GRAMMER # 1026509
- Seat Suspension Base STGMSG906SB GRAMMER # 1146573
- Seat Cushion - Foam Only STGMSG906SC GRAMMER # 1343685
- Swivel Seat Fore & Aft Adjustment Seat Slide STGMSG906SFAA GRAMMER # 1367401
- Seat Handle Angle Adjust & Fore/Aft Front STGMSG906SHAAFA GRAMMER # 1064865
- Seat Pan And Base, cushion - Untrimmed STGMSG906SP GRAMMER # 1143616
- Seatbelt Stalk STGMSG906SS GRAMMER # 1113321
- Wearing Parts Kit STGMSG906WK GRAMMER # 1056990

GRAMMER 90.6 Seat Air Spring Kit

STGMSG906ASK

- GRAMMER part number 1029434.



GRAMMER 90.6 Bowden Cable For Seat Angle Adjustment

STGMSG906BCSAA

- GRAMMER part number 1026509.



GRAMMER 90.6 Backrest Extension Handle

STGMSG906BEH

- GRAMMER part number 1161985.



GRAMMER 90.6 Seat Belt

STGMSG906BELT

- Grammer 90.6 Seat, Replacement seat belt only - Grammer part number 1075622.



GRAMMER 90.6 Seat Backrest Recliner Mechanism

STGMSG906BRM

- Back catch recliner pivot mechanism for GRAMMER 90.6 seat.
- GRAMMER part number 1125588.



GRAMMER MSG90.6 Mounting Base

STGMSG906CB

- 85mm mounting base to suit GRAMMER MSG906 seats, models Linea and Tourea.
- GRAMMER part number 137842.



GRAMMER MSG90.6 Control Rack

STGMSG906CR

- GRAMMER part number 1146555.



GRAMMER 90.6 Seat Fore & Aft Adjustment Seat Slide

STGMSG906FAA

- For Grammer seat 906 without seatbelt and swivel.
- GRAMMER part number 1078405.



GRAMMER MSG90.6 Heavy Duty Shock Kit

STGMSG906HSK

- Heavy duty shock absorber kit that can be retrofitted to MSG906 models Linea and Tourea to take the seat to 160kgs suspension rating.
- GRAMMER part number 1072266.



GRAMMER MSG90.6 Level Control

STGMSG906LC

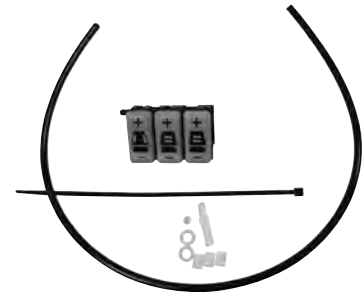
- MSG906 lever control suitable for both seat belt and non seat belt models.
- GRAMMER part number 1143669.



GRAMMER Lumbar Valve Block with Switch Buttons

STGMSG906LVBC

- Lumbar 3 part valve block for MSG906. Comes complete with buttons.
- GRAMMER part number 1117923/136985.



GRAMMER 90.6 Plastic Side Cover

STGMSG906PSC_

Products in the range

STGMSG906PSCL Left hand side cover when viewing seat from the front.

- GRAMMER part number 1061192.

STGMSG906PSC Right hand side cover when viewing seat from the front.

- GRAMMER part number 1061190.



GRAMMER 90.6 Seat Shock Absorber

STGMSG906SA

- GRAMMER part number 1060427 is for all parts (shock may have 1094942 listed in product).



GRAMMER 90.6 Seat Angle Adjustment Parts

STGMSG906SAA

- Bowden Cable that runs between front handle strip for seat angle adjustment and the seat angle mechanism. GRAMMER part number 1026509.



GRAMMER 90.6 Seat Suspension Base

STGMSG906SB

- Replacement suspension base for GRAMMER 90.6 seat.
- GRAMMER part number 1146573.



GRAMMER 90.6 Seat Cushion - Foam Only

STGMSG906SC

- GRAMMER seat cushion to fit seats STGMSG906 & STGMSG906WB - Tourea seats.
- Untrimmed foam only.
- GRAMMER part number 1343685.



GRAMMER 90.6 Swivel Seat Fore & Aft Adjustment Seat Slide

STGMSG906SFAA

- This seat fore and aft slide and handle is for the GRAMMER 906 seats with seat belts and/or seat swivels.
- Old models of the STGMSG906WB and all models of the STGMSG906.
- GRAMMER part number 1367401.



GRAMMER 90.6 Seat Handle Angle Adjust & Fore/Aft Front

STGMSG906SHAAFA

- Front handle strip for seat angle adjustment and fore/aft adjustment.
- GRAMMER part # 1064865.



GRAMMER 90.6 Seat Pan And Base, cushion - Untrimmed

STGMSG906SP

- GRAMMER seat pan and cushion to fit seats STGMSG906 and STGMSG906WB - Tourea seats.
- GRAMMER part number 1143616 Untrimmed.
- Older version was trimmed and had part number 1106817.



GRAMMER MSG90.6 Seatbelt Stalk

STGMSG906SS

- GRAMMER part number 1113321.



GRAMMER MSG90.6 Wearing Parts Kit

STGMSG906WK

- GRAMMER part number 1056990.





Electric Bus & Minibus EHVAC



FALKON VERTICAL
FRONT EHVAC



KANADA SH



GRAMMER Amarillo Drivers Seat MSG90.3P without seatbelt

- Air Suspension Seat.
- Adjustable backrest.
- Height adjustment 100mm.
- Adjustable shock absorber.
- Air Lumbar Support.
- Fore/aft adjustment 210mm.
- Seat Angle Adjustment 2° - 12°.
- Seat cushion depth adjustment 60mm.
- Weight up to 130kgs.
- GRAMMER part number 137153.

Upholstered STGMSG903T
Unupholstered STGMSG903



GRAMMER Arizona Drivers Seat MSG90.3G with seatbelt

- Air Suspension Seat.
- Adjustable backrest.
- Height adjustment 100mm.
- Adjustable shock absorber.
- Air Lumbar Support.
- Fore/aft adjustment 210mm.
- Seat Angle Adjustment 2° - 12°.
- Seat cushion depth adjustment 60mm.
- Weight up to 130kgs.
- GRAMMER part number 138778.

STGMSG903G



Parts and Accessories

Seat Angle Adjustment Cable STG903AA GRAMMER # 137766

Air Bag STG903AB GRAMMER # 137209

Seat Belt STG903BELT GRAMMER # 2057123

Bush Kit STG903BK GRAMMER # 140482

Backrest Handle STG903BRH GRAMMER # 133094

Buckle STG903BUCKLE GRAMMER # 137754

Seat Mounting Base STG903CB GRAMMER # 137843

Seat Base Guide STG903GU GRAMMER # 133390

Handle Kit Seat Incline STG903HKI GRAMMER # 137763

Handle Kit Seat Adjust STG903HKSA GRAMMER # 133085

Handle Kit Seat Height Adjust STG903HKSHA GRAMMER # 133087

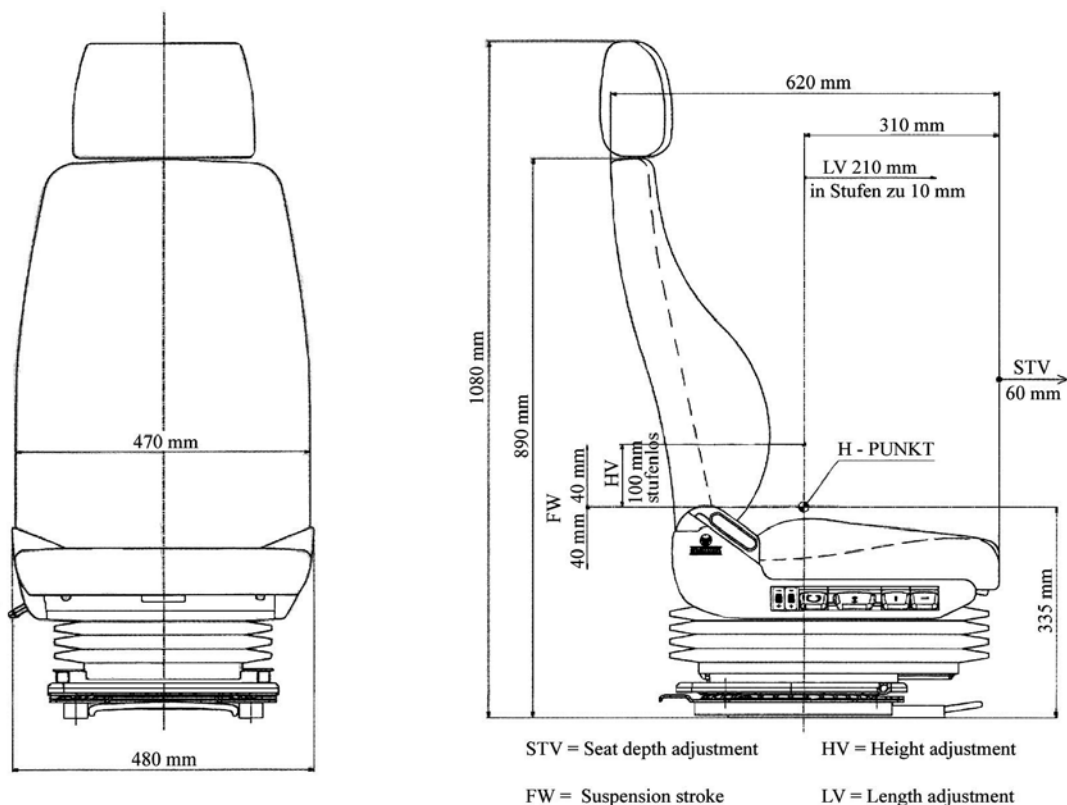
Level Control STG903LC GRAMMER # 1007995

Lumbar Support Switch: STG903LSS GRAMMER # 133108

Shock Absorber STG903SA GRAMMER # 1117251

Seat Slide STG903SS GRAMMER # 133045

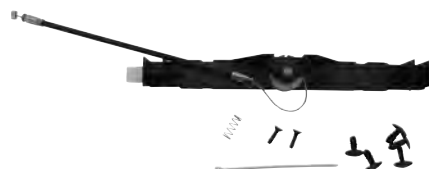
Seat Pan STG903SP GRAMMER # 140241



GRAMMER MSG90.3P Seat Angle Adjustment Cable

STG903AA

- GRAMMER part #137766.



GRAMMER MSG90.3P Air Bag

STG903AB

- GRAMMER part #137209.





GRAMMER MSG90.3P Belt

STG903BELT

- GRAMMER part # 2057123



GRAMMER MSG90.3P Bush Kit

STG903BK

- GRAMMER part #140482.



GRAMMER MSG90.3P Backrest Handle

STG903BRH

- GRAMMER part #133094.



GRAMMER MSG90.3P Buckle

STG903BUCKLE

- GRAMMER part #1337754



GRAMMER MSG90.3P Seat Mounting Base

STG903CB

- GRAMMER part #137843.



GRAMMER MSG90.3P Seat Base Guide

STG903GU

- Set of 4.
- GRAMMER part #133390.



GRAMMER 90.3 Handle Kit Seat Incline

STG903HKI

- GRAMMER part number 137763.



GRAMMER 90.3 Handle Kit Seat Adjust 90

STG903HKSA

- Seat adjust 90 degree handle kit for GRAMMER 90.3 seat.
- GRAMMER part number 133085.



GRAMMER 90.3 Handle Kit Seat Height Adjust

STG903HKSHA

- GRAMMER part number 133087.



GRAMMER MSG90.3P Level Control

STG903LC

- GRAMMER part #1007995.



GRAMMER MSG90.3P Lumbar Support Switch

STG903LSS

- GRAMMER part #133108.



GRAMMER MSG90.3P Shock Absorber

STG903SA

- GRAMMER part #1117251.



GRAMMER MSG90.3P Seat Slide

STG903SS

- GRAMMER part #133045.



GRAMMER MSG90.3P Seat Pan

STG903SP

- GRAMMER part #140241.



McConnell Seat Recliner Piston OEM Part

STMSRP

- OEM McConnell reclining seat piston, gas stay (SP-RGASSTAY350023).



Magazine Net

STMN

- 302mm x 168mm



About APV Safety Products

APV Safety Products is the aftermarket seat belt and safety harness division of APV and is the leading supplier of seat belts in Australia. All aftermarket products are similar to the original equipment product supplied to car manufacturers, and all belts are fully certified to Australian standard AS/NZS2596, FMVSS 209, ECE R16, ADR/ 03 & 04 or applicable standard.

APV Safety Products and APV Pty Ltd are situated in Melbourne, Australia. The site includes the APV Safety Products manufacturing facility along with APV Engineering and Testing Services Development Centre and Test laboratory.

APV Safety Products are suppliers to the local Australian Automotive Aftermarket through parts and accessory retailers and distributors. They also supply vital safety products to the defense, motorsport, commercial and industrial sectors. APV Safety Products is also the largest exporter into overseas markets.

Australia has an enviable reputation when it comes to vehicle safety and an important contributor to that reputation is APV Safety Products. With a history in vehicle safety that goes back to the 1930s, APV continues to work with major car manufacturers to make cars as safe as possible.

APV Safety Products is a division of APV Pty Ltd a company responsible for the design, testing and manufacture of safety critical automotive components.

As part of APV's extensive commitment to vehicle safety, we have on site one of the most advanced Automotive Crash Testing Facilities of its kind in the world. The Test centre is equipped to test practically every type of crash condition, ranging from frontal collisions, side impacts, rear-end impacts, and car to car accidents.

APV Safety Products has access to the latest technology and developments and all products must pass rigorous testing necessary to meet Australian Standards Certification and Endorsement.

When it comes to you and your family's safety, only trust APV Safety Products.

Seatbelt wear and tear

A cut as small as 5 millimetres can reduce the performance of your seat belt by one half. In certain circumstances that could be enough to render it ineffective in a crash.

That's just one way seat belt performance can be impaired. The performance of seat belts deteriorates with age as well as use. Considering that the average New Zealand car could be over 10 years old, that's a sobering thought.

Seat belts that are old or have been in a car accident must be replaced. Check our Seat Belt Safety Checklist to ensure that the webbing strength, stitching, and retractor operation of the seat belts in your vehicle are adequate. Please don't wait for an accident to find out that your seat belt needs replacing.



Seat Belt safety checklist

Tongue and Buckle Assembly

Check the engagement of tongue and buckle.

- The buckle and tongue assembly should securely latch together with no freeplay (limited movement).
- The tongue should eject actively when released.
- There should be no visible cracks on the buckle and the buckle cover must be intact.
- The tongue should have no metal deformation, webbing marks, or visible cracks on metal or plastic sections.

Retractor

- Pull the belt out as far as it will go then release it. The belt should return all the way to the retractor without sticking, gripping or stalling.
- The retractor should lock if the webbing is pulled out suddenly.

Webbing

- The webbing should be securely attached to its end fittings displaying no stretching or pulled stitching.
- The webbing should be flat throughout its entire length.
- Look for plastic burn marks, frayed stitching and any signs of rippling.
- Look for fading as exposure to sunlight can reduce the strength by up to 50%.

Anchorage

- Ensure all anchorages are free from corrosion and securely fastened to the vehicle structure.
- All mounting points should not show any signs of deformation.



Vogel Seat Belt Kit inc Buckle

STSBKC8766

- Emergency locking retractor seat belt for bus and coach passenger seat market. Seat belt complies with AS/NZS2596.
- Fits Vogel manufactured seats. Comes with a belt, mounting housing, guide for top of seat. Buckle with 135mm stem included.
- Works for both left and right seat types.
- 180° - 180° working angle.



McConnell Seat Belt ELR Grey

STSBMC01_

- Emergency locking retractor seat belt for bus and coach passenger seat market. Seat belt complies with AS/NZS2596.
- McConnell coach seat Espace and Elite.

Products in the range

Left Hand STSBMC011

Right Hand STSBMC012



Identifying Left and Right Hand Seatbelts. If the buckle is on the right the belt is right handed and vice versa.

Styleride Seat Belt ELR Black

STBSR114_

- Emergency locking retractor seat belt for bus and coach passenger seat market. Seat belt complies with AS/NZS2596.
- Styleride coach seat G4.

Products in the range

Left Hand STBSR1146

Right Hand STBSR1147



Identifying Left and Right Hand Seatbelts. If the buckle is on the right the belt is right handed and vice versa.

Styleride Seat Belt Kit - ELR + Buckle

STBSR118_

- Emergency locking retractor seat belt for bus and coach passenger seat market. Seat belt complies with AS/NZS2596.
- Includes buckle with 160mm stem.

Products in the range

Left Hand KC8489 STBSR1186

Right Hand KC8490 STBSR1187



Identifying Left and Right Hand Seatbelts. If the buckle is on the right the belt is right handed and vice versa.

Seat Belt For Wheelchair ALR KI4675 single retractor

STSBW4675

- Emergency locking retractor seat belt for the bus and coach passenger seat market. Seat belt complies with AS/NZS2596.
- Part no. FIXWEB, 511164501ANZ.



Seat Belt For Wheelchair ALR KB7580 double retractor

STSBW7580

- Auto locking retractor seat belt with double retractor for bus and coach wheelchair market. Seat belt complies with AS/NZS2596.



Seat Belt Stalk Black

- Suit bus seat, construction, tractor.

STSBS_ _ _

Products in the range

165mm length STSBS165

115mm length STSBS115



Widney Scissor Blind Double Drop

BLSC_ _ _ _

- Mounting brackets are independently adjustable to allow the sun blind to follow the angle of the windshield.

Products in the range

1066mm width 610mm drop BLSC1066D

900mm width 610mm drop BLSC900D

813mm width 610mm drop BLSC813D

546mm width 610mm drop BLSC546D



Widney Electric Blind 24v

BLWE_ _ _ _

- 1000mm drop with top 800mm section mesh, bottom 200mm solid black PVC.
- See PDF on our website for bottom and top mount widths and instructions on how to set the motor travel before blind is despatched.

Products in the range

1000mm width BLWE1000

1500mm width BLWE1500

2000mm width BLWE2000

Spare Motor BLWEM



Ratchet Style Front Screen Right Hand

BLFSRH_

- Bottom 200mm of blind is full block fabric with upper area in mesh.

Products in the range

1047mm width 1000mm drop BLFSRH

900mm width 1000mm drop BLFSRH9



Ratchet Style Front Screen Left Hand Blind

BLFSLH

- Bottom 200mm of blind is full block fabric with upper area in mesh.
- Front Screen. Screw Fixing Centres - 1100mm.
Blind Width - 1047mm. Blind drop 1000mm.



Ratchet Style Driver Side Left Hand

BLDSLH

- Bottom 200mm of blind is full block fabric with upper area in mesh. Drivers Side.
- Screw Fixing Centres - 870mm. Blind Width - 817mm.
- Blind drop - 1000mm. Guide Length - 640mm. Left Hand.



Motor For Electric Blind

BLME

- Spare electric motor suitable for replacement in Happich blinds. BLFSE2000, BLFSELH.





Transport for
disabled
person
Improving patients'
transports



Evaporator combi Kool FAI :
an aesthetic innovation

A large part of the R&D power of Kalori is dedicated to innovation for ambulances and disabled person transportation.

This gives birth to a world of innovative solutions for the comfort of patients & drivers.

We provide everywhere in the world specific kits really easy to install.

Our strong knowledge of this market ensures you to obtain a real comfort at a very competitive price.



Roof ventilator :
Design, efficiency and accessories
for an easy installation



A/C or combi Klimatop :
efficiency and gain of space in the cellule



Adaptator :
the easiest way to
connect an additional
evaporator on the
original A/C circuit

Ambulances
Patient's comfort
whatever the outdoor
conditions are



From the smallest evaporator to the
18KW rooftop for rough conditions
With or without additional compressor

Minibuses

Heaters, air conditioning
and roof ventilators.



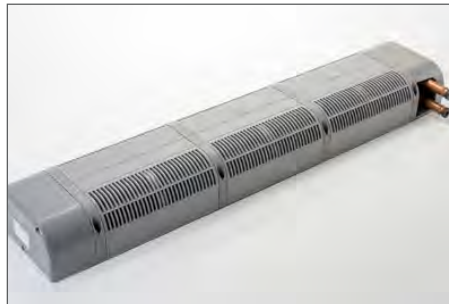
Evaporator Falcon Double Kombi



Rooftop unit RK14



Heater Silencio 2



Heater Baikal : ventilated convector

Modular Roof Hatch Escape System

VTHE

- Weight: 13 kgs. Cut Out: 520mm x 945mm.
- Roof Thickness: 45 to 65mm.
- IN AN EMERGENCY BREAK GLASS. Complete with inner trim panel, integrated emergency hammer and hammer support. 4 way ventilation.



Other Products in the range

VTHESG Spare Glass

VTHET Modular Roof Hatch Inner Panel Only

Modular Roof Hatch Escape System without inner trim

VTHEMT

- Weight: 13 kgs. Cut Out: 520mm x 945mm.
- Roof Thickness: 45 to 65mm.
- IN AN EMERGENCY BREAK GLASS. 4 way ventilation.



Other Products in the range

VTHESG Spare Glass

VTHET Modular Roof Hatch Inner Panel Only

Anti Theft Emergency Hammer

TLEHWC

- More safety, less danger of injury. A higher degree of glass smashing performance with a minimum of effort. All features of the Happich emergency hammer. With anti-theft features of sensor and stainless securing cable.



Emergency Hammer

TLEH

- More safety, less danger of injury. A higher degree of glass smashing performance with a minimum of effort. All features of the Happich emergency hammer.
- Mount available TLEHM.



Emergency Hammer Mount

TLEHM

- With Pressure Sensor Switch to Trigger Signal. Use with TLEH Hammer.



Emergency Glass Breaker

TLEGB

- Hit the top and the sheer pin breaks releasing the striker pin to break glass. Comes complete with 3M VHB tape applied to the back for installation. Removable if the window needs resealing or replacing. Sheer pin can be replaced if broken.
- Reliable new system which relieves the problems associated with hammers being removed.
- 64 mm base.



Emergency Glass Breaker Sticker

TLEGBS

- Use in conjunction with TLEGB.
- 150mm wide and 120mm high.



Emergency Exit Stickers Exterior

TLEES

- 150mm wide and 120mm high.



Versus Mirror Arm Bracket Heavy Duty Short

MRVMAB187410

- 187mm x 410mm, tube diameter 19mm.
- 50mm mounting hole centers.



Versus Mirror Arm Bracket Heavy Duty Long

MRVMAB435410

- 435mm x 410mm, tube diameter 19mm.
- 50mm mounting hole centers.



Versus Mirror Long Arm Right Hand Side Bottom Mount

MRVMAB219400M

- 219mm x 400mm x 28mm diameter mount.
- Comes with chassis bracket and 5m of wiring harness.



Versus Mirror Long Arm Left Hand Side Top Mount

MRVMAB590403

- 590mm x 403mm x 28mm diameter mount.
- Comes with chassis bracket and 5m of wiring harness.



Versus Mirror Arm End Bracket Assembly Right Hand

MRVMAEB28RH

- Arm end bracket to fit Versus mirror codes MRVMAB5901403, MRVMAB219400M & MRVMAB219400ML



Versus Mirror Arm End Bracket Assembly Left Hand

MRVMAEB28LH

- Arm end bracket to fit Versus mirror codes MRVMAB5901403, MRVMAB219400M & MRVMAB219400ML.



Versus Mirror Universal Convex 280mm

MRVMC280170

- 1 piece convex glass.
- Size 280mm x 170mm, 16mm x 22mm clamp.
- Universal application.



Versus Mirror Universal Convex 320mm

MRVMC320190

- 1 piece convex glass.
- Size 320mm x 190mm, 16mm x 22mm clamp.
- Universal application.



Versus Mirror 1pce Universal Convex

MRVMC372185

- 370mm x 185mm.
- 16mm to 21mm clamp. Universal application.
- Fits Mitsubishi Canter 2005 onwards and many others.



Versus Mirror 1pce Universal Convex

MRVMC415225

- 415mm x 225mm.
- 16mm to 28mm clamp. Universal application.
- Suits Hino pre 2006 F series and Isuzu pre 2008 F series. Common in city bus market.



Vehicle Side Mirror - VM 130 Series

MRVM130_ _

- 2 piece with flat and convex sections.
- 427mm x 200mm.
- 16mm to 19mm standard clamp.

Products in the range

MRVM130LH Left Hand

MRVM130RH Right Hand



Versus Mirror Electric & Heated 1pce Universal Convex

MRVMEH380200C2

- 380mm x 200mm 24v.
- 16mm to 25mm clamp. Universal application.
- 24v round 6 pin plug input.
- Electric and Heated.



Versus Mirror Electric & Heated VM311 Series Left Hand Antler Style White 24V

MRVM311LHEH

- Heated and 24V electric motor.
- 670mm high 700mm long.
- White.



Versus Mirror Electric & Heated VM311 Series Right Hand Antler Style

MRVM311RHEH

- Heated and 24V electric motor.
- 670mm high 700mm long.
- White.



Versus Mirror Wire Harness

MRVMPH380190

- Versus mirror wiring harness for MRVMSWITCH



Versus Mirror Directional Electric Mirror Switch

MRVMSWITCH

- Versus Switch kit for single motor electric mirrors.
- LED back light.
- Works left and right hand side.
- Size 37.5mm wide x 46.5mm high.



Versus Iveco Headlight RH Stralis & Eurocargo

LPVXIV9308R

- Versus Iveco Headlight with DLR and globes right hand,
- Suits Stralis 2013 onwards, Eurocargo 2015 onwards.
- Right hand from driver's perspective inside vehicle.



Versus Iveco Headlight LH Stralis & Eurocargo

LPVXIV9307L

- Versus Iveco Headlight with DLR and globes left hand,
- Suits Stralis 2013 onwards, Eurocargo 2015 onwards.
- Left hand from driver's perspective inside vehicle.



Versus Volvo Headlight Manual 02/07 Series 2 LH

LPVXVL9000

- Versus headlight left hand when sitting in the drivers seat.
- Manual adjust, 02/07 series 2 with a round plug.
- Volvo FH/FM 02-07 and fitted to some New Zealand manufactured coaches.
- Globes included.



Versus Volvo Headlight Manual 02/07 Series 2 RH

LPVXVL9001

- Versus headlight right hand when sitting in the drivers seat.
- Manual adjust, 02/07 series 2 with a round plug.
- Volvo FH/FM 02-07 and fitted to some New Zealand manufactured coaches.
- Globes included.



Bus Stopping Sign Double Sided

LPBSSDS

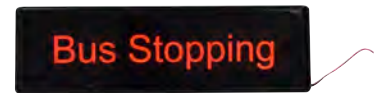
- Illuminated LED sign unit.
- Dimensions 67mm thick, 75mm high, 225mm long.



Bus Stopping Sign 24Volt

LPBSS

- Illuminated LED sign unit.
- Surface Mounted.
- Dimensions 20mm thick, 100mm high, 330mm long.



Surface Mount Clock/Stop Sign

LPCLST

- Illuminated LED sign unit.
- Dimensions 21.5mm thick, 87mm wide, 210mm long.



Surface Mount WC/Seatbelt Sign

LPWCSB

- Illuminated LED sign unit.
- Dimensions 21.5mm thick, 87mm wide, 210mm long.

24v



Plastic Bell Push Button Rail Mount Yellow

BEPRY

- Bus hard wired type.
- 38mm wide x 110mm long.



Plastic Bell Push Button Wall Mount Yellow

BEPWY

- Bus hard wired type.
- 38mm wide x 80mm long.



BMAC Wireless Bell Push System

BEWIR

BMAC Wireless Bell Push Interface Receiver Unit

- The interface receiver to be used in conjunction with the BMAC Wireless Bell Pushes. BEWRY, BEWRG, BEWWCY.
- Wiring and Installation guides can be found on our website for both Series 1 and 2.



BMAC Wireless Bell Push Rail Mount Yellow

BEWRY

- Wireless rail mounted bell push unit. No cables required.
- The wireless & battery less bell push uses radio transmission. Generating a pulse when pushed which is transferred to the interface.
- 38mm wide x 110mm long.



BMAC Wireless Bell Push Wall Mount Insert Yellow

BEWWIY

- Yellow end insert to fit BEWRY. Need 2 x to wall mount.



BMAC Wireless Bell Push Wheelchair

BEWWCY

- Wireless bell push unit with wheelchair logo, designed to be fitted in the priority seating zone. No cable required and no batteries.
- The wireless & battery less bell push uses radio transmission. Generating a pulse when pushed which is transferred to the interface.
- 38mm wide x 110mm long.
- 2 x BEWWPY for wall mounting.



The bus and coach sector in New Zealand is a growing market, thanks to tourism and public transport demands.

Reid and Twiname a member of the Bus and Coach Association, have been in this market for over 40 years and represent established world renown brands from all parts of the globe.

We stock the largest range including hardware, seating, textiles and flooring. Supplying to the bus builder or operator Reid and Twiname are happy to assist in your new build and refurbishment requirements.

Transport Fabrics

- This range of heavy duty industrial grade fabric is suitable for high usage applications such as buses, trains and coaches.
- We stock a selection of Camira transport fabrics and these are detailed in this section, however we have access to the entire Camira range, which can be viewed on their website at www.camirafabrics.com



Camira Vigor AT Designs

- Composition. Pile: 85% Wool, 15% Nylon. Backing 100% Cotton.
- Weight: 820gsm \pm 5%. Width: 150cm.
- Approved by Auckland Transport.



AT Curve SFTECWB57



AT ZigZag SFTECXB57



AT Floral SFTECYB57



AT Momo Moana SFTEPCG12



AT Momo Moana Priority
SFTEPCG13



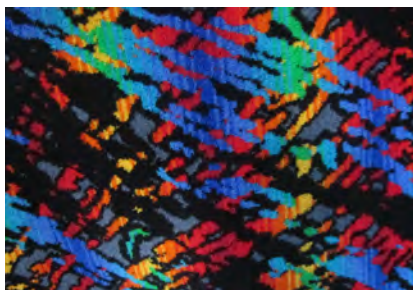
camira

Camira Wool Moquettes - 150cm width

Vigor Pile: 85% Wool, 15% Nylon. Backing 100% Cotton. Weight: 820gsm \pm 5%.

Fusion Pile: 60% Wool, 16% Nylon, 13% Viscose, 11% Polyester Backing: 67% Polyester, 33% Viscose.

Aura 70% Wool, 12% Nylon, 18% Polyester.



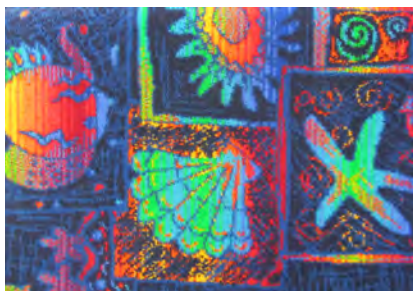
Vigor SFTBRH314



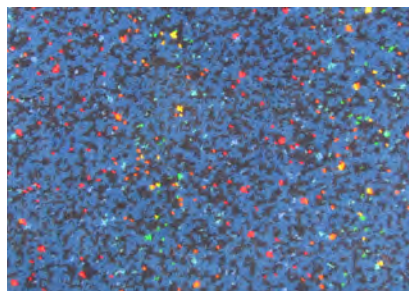
Vigor SFTBIV314



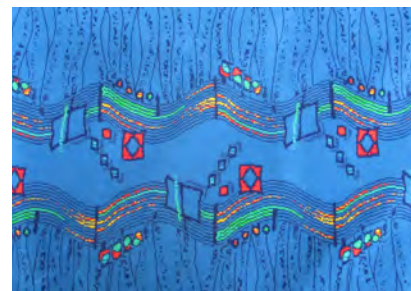
Vigor SFTBAN314 Indent



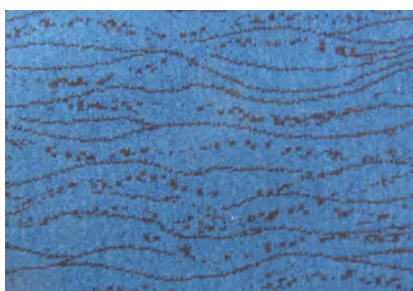
Vigor SFTBAG309 Indent



Vigor SFTBAC309 Indent



Vigor SFTBAF309



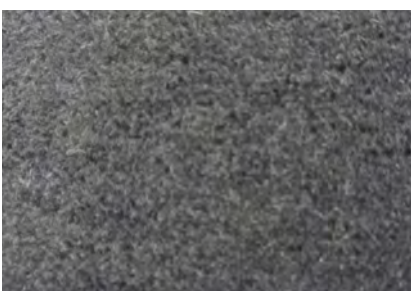
Vigor SFTBAI310



Vigor Mauve Grey SFT80050D4



Vigor Dark Grey SFT80050E4



Aura SFTCBE70



Aura SFTCEHE70



Aura SFTCAI326

Camira Wool Moquettes - 150cm width

Vigor

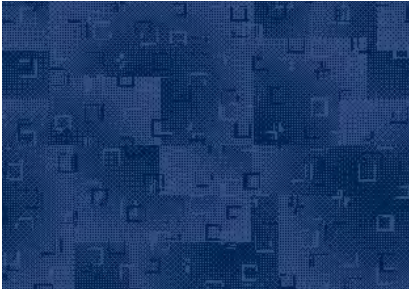
Pile: 85% Wool, 15% Nylon. Backing 100% Cotton. Weight: 820gsm \pm 5%.

Fusion

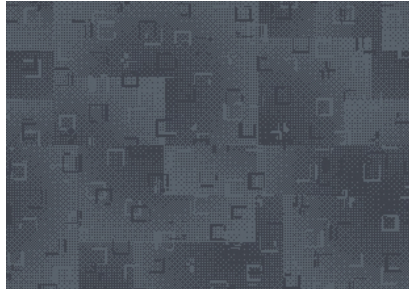
Pile: 60% Wool, 16% Nylon, 13% Viscose, 11% Polyester Backing: 67% Polyester, 33% Viscose.

Aura

70% Wool, 12% Nylon, 18% Polyester.



Aura SFTCAF322 Indent



Aura SFTCAF328



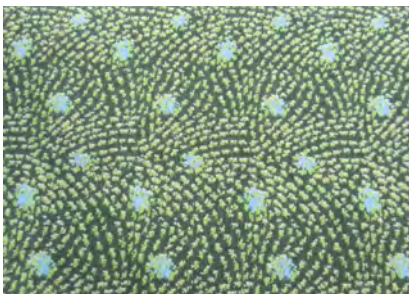
Aura SFTCAG324 Indent



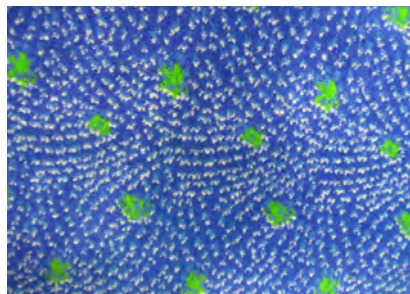
Fusion SFTNBPB11

Camira Vigor Wellington Transport Designs

- Composition. Pile: 85% Wool, 15% Nylon. Backing 100% Cotton.
- Weight: 820gsm \pm 5%. Width: 150cm.
- Approved by Greater Wellington Regional Council.



Vigor SFTBLXX36146



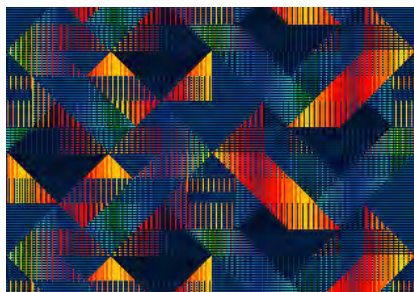
Vigor SFTBLXY36146

Camira Wool Moquettes - Stock ex Australia

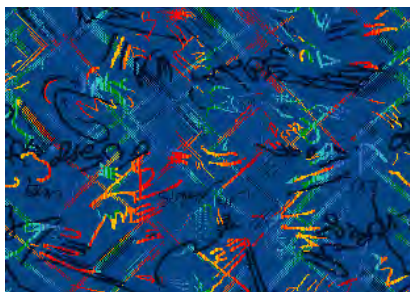
Vigor Pile: 85% Wool, 15% Nylon. Backing 100% Cotton. Weight: 820gsm \pm 5%. Width: 150cm.

Fusion Pile: 60% Wool, 16% Nylon, 13% Viscose, 11% Polyester Backing: 67% Polyester, 33% Viscose.

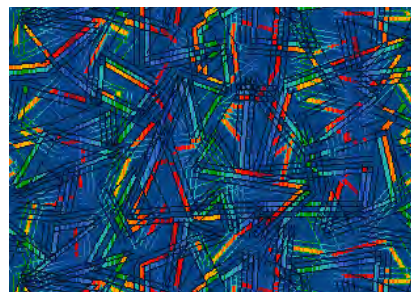
Aura 70% Wool, 12% Nylon, 18% Polyester Width 150cm.



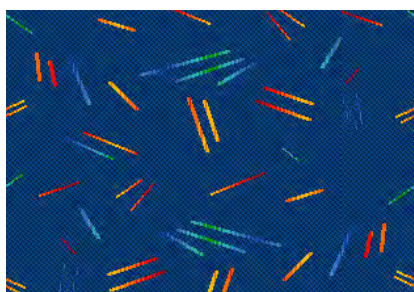
Vigor BAS309 Indent



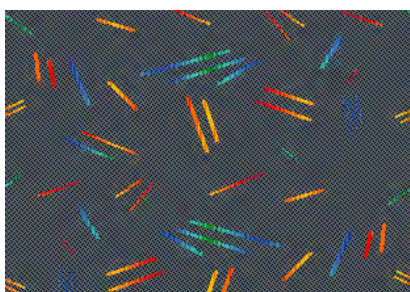
Vigor BAU309 Indent



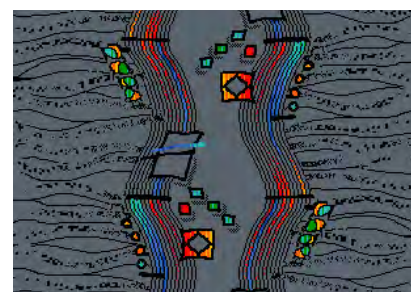
Vigor BAA309 Indent



Vigor BAE309 Indent



Vigor BAE314 Indent



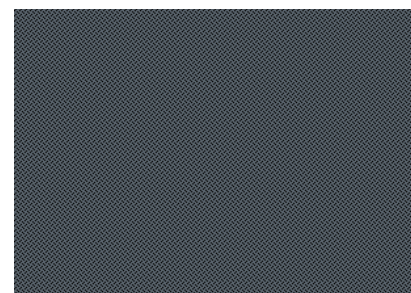
Vigor BAF314 Indent



Vigor BAG313 Indent



Vigor BAG314 Indent



Vigor BAH320 Indent



Vigor BAC313 Indent



Vigor BAC360 Indent



Vigor BAI320 Indent

Camira Wool Moquettes - Stock ex Australia

Vigor

Pile: 85% Wool, 15% Nylon. Backing 100% Cotton. Weight: 820gsm \pm 5%. Width: 150cm.

Fusion

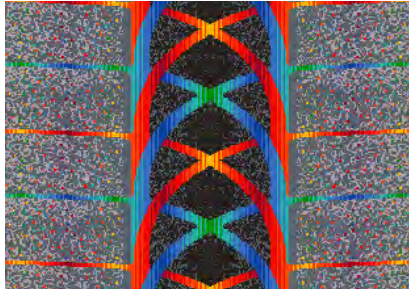
Pile: 60% Wool, 16% Nylon, 13% Viscose, 11% Polyester Backing: 67% Polyester, 33% Viscose.

Aura

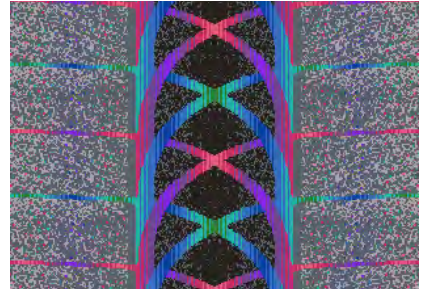
70% Wool, 12% Nylon, 18% Polyester Width 150cm.



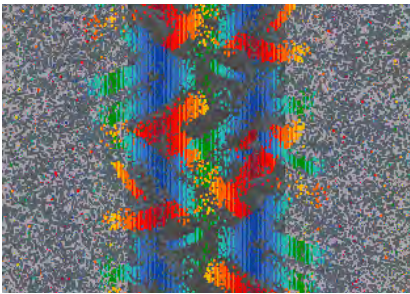
Vigor BAN309 Indent



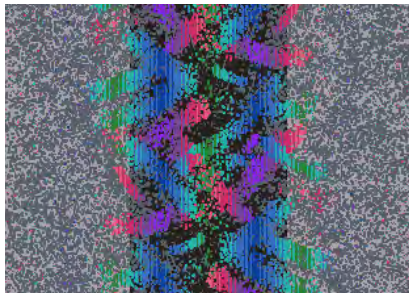
Vigor BIN315 Indent



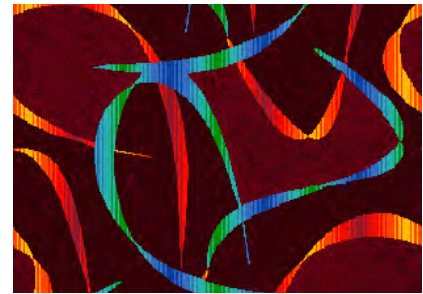
Vigor BIN354 Indent



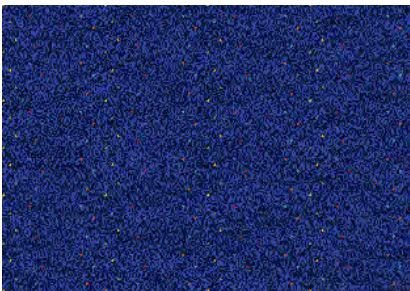
Vigor BKA315 Indent



Vigor BKA354 Indent



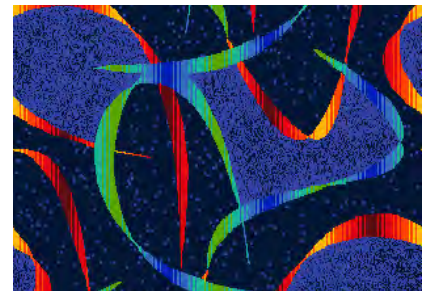
Vigor BMS668 Indent



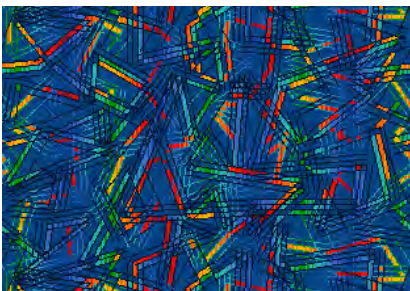
Vigor FAA737 Indent



Vigor FAH737 Indent



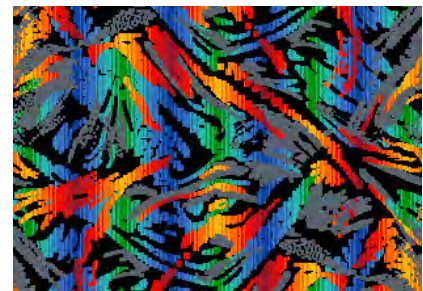
Vigor FAI737 Indent



Vigor FAK737 Indent



Vigor BCU320 Indent



Vigor BDI314 Indent

Camira Wool Moquettes - Stock ex Australia

Vigor

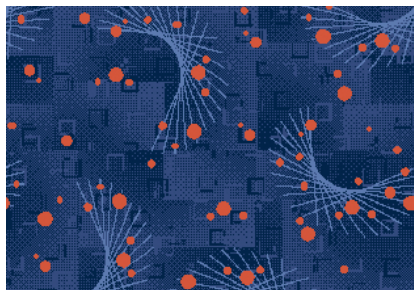
Pile: 85% Wool, 15% Nylon. Backing 100% Cotton. Weight: 820gsm ± 5%. Width: 150cm.

Fusion

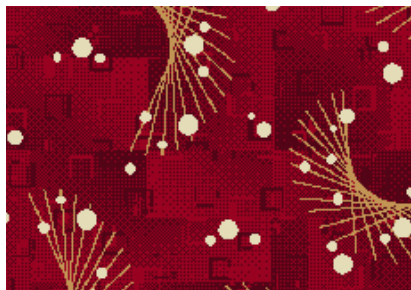
Pile: 60% Wool, 16% Nylon, 13% Viscose, 11% Polyester Backing: 67% Polyester, 33% Viscose.

Aura

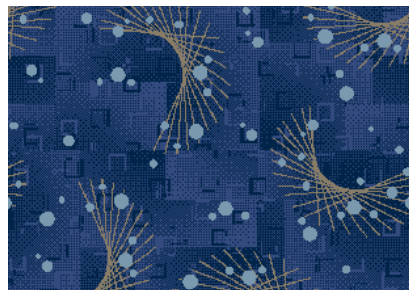
70% Wool, 12% Nylon, 18% Polyester Width 150cm.



Aura CAA323 Indent



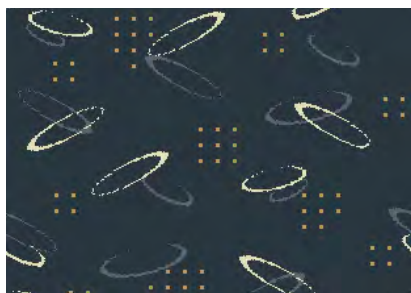
Aura CAA324 Indent



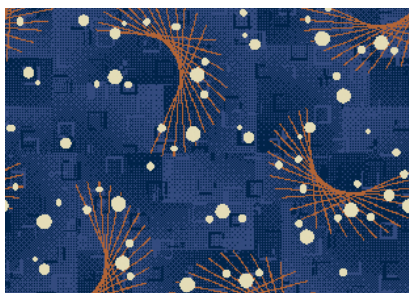
Aura CAA326 Indent



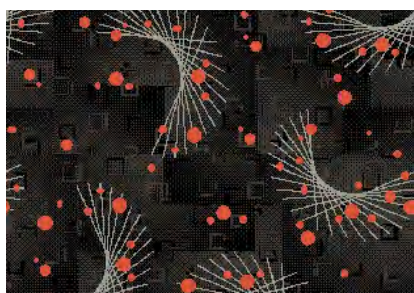
Aura CAD321 Indent



Aura CAD327 Indent



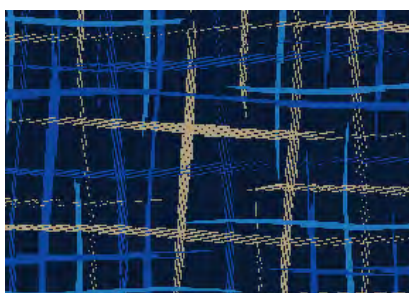
Aura CAA321 Indent



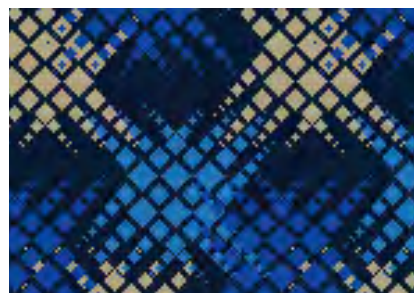
Aura CBXA12 Indent



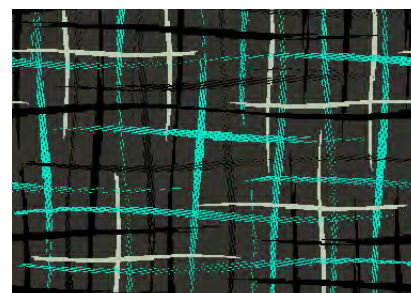
Aura CAM322 Indent



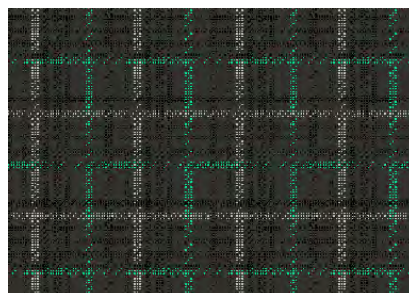
Fusion NBRB12 Indent



Fusion NBPB12 Indent



Fusion NBUB10 Indent



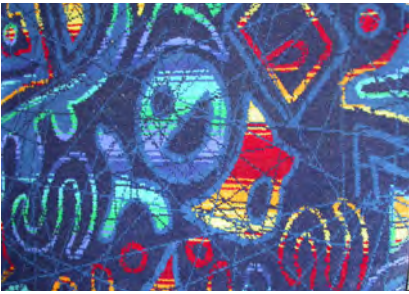
Fusion NCBB10 Indent



POLYTRANZ
polyester transport fabrics

Bojangles

- Composition. (backcoated fabric). Pile: 100% Polyester. Overall: 86% Polyester, 9% Viscose, 5% Backcoating.
- Weight: 600 gm/square metre \pm 8%.
- Width 140cm.



Bojangles Midnight SFTPBMN

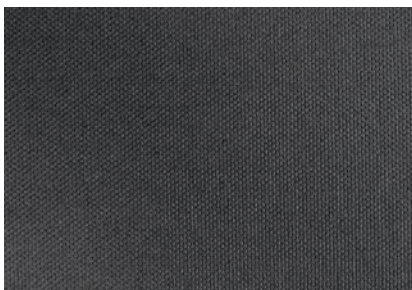


Bojangles Lagoon SFTPBLG

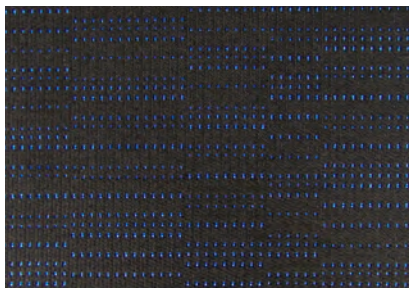


Camira Vision – Flat Woven Polyester

- 100% polyester with a PU foam and polyamide scrim backing.
- High abrasion resistance > 100,000 Martindale cycles.
- Width 150cm.



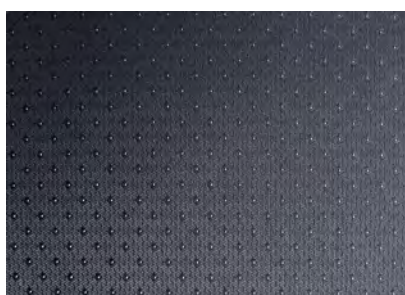
Camira Vision Plain Black
SFTPVA06



Camira Vision Blue Grid
SFTPVB04



Camira Vision Silverwevr Grid
SFTPVB01



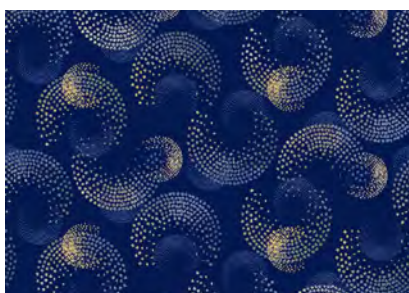
Camira Vision Silver Dot
SFTPVC01

Camira Orient

- 100% Polyester. Overall: 86% Polyester, 9% Viscose, 5% Back coating.
- Width 150cm.
- Weight 600gsm.



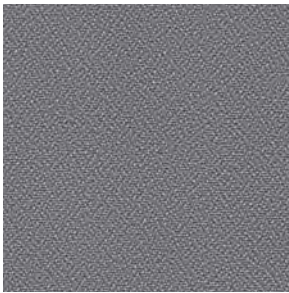
Orient Blue Dot SFTPAAL303



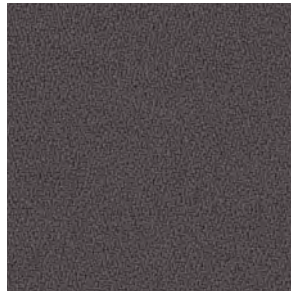
Orient Swirl SFTPAAV303

Lucia CS Curtain Fabric

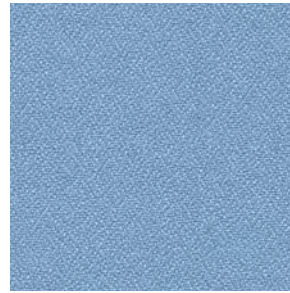
- 100% flame retardant polyester - meets BS5867.
- Designed for use as curtain fabric in the transport industry.
- Light fastness rating of 6.
- 265gsm. 170cm width.



Slip SFTCS



Blizzard SFTCB



Medan SFTCM



Costa Navy SFTCC

Additional colours are available ex UK – please see our website for a shade card.

Brahma Leather

LHB _ _

- Range of 12 colours.
- Corrected grain cow hide. Size: 5.0 m2 approx. per average hide. Thickness: 1.00 mm.
- This leather passes the Flammability Test Res.A652 (16) required by the International Maritime Organisation and passes all applicable EEC Standards.



BRAHMA



Oceans 2 Leathercloth

LC02_ _

- Available in Smooth Grain, Pebble Grain and Diamond Grain.
- Designed for outdoor and marine applications, vehicle seats, bus or coach dash covering, wall or pillar covering, ducting or headlining.
- Also suitable for all types of upholstery.
- Oceans 2 has the soft feel of leather but with the durability of a high quality vinyl.
- Comes with a 2 year warranty.

Oceans2
MARINE & COMMERCIAL VINYL



Denver Leathercloth

LCD

- Automotive quality vinyl produced with compliance to ISO-9001.
- UV stabilised. Colour Fast. Heat Sealable.
- Protective finish for easy maintenance. Gauge 1mm nominal.
- One year warranty against de-lamination/cracking.

DENVERTM
UPHOLSTERY VINYL



Capri® Leathercloth

LCC _ _

- Capri is a High Quality Vinyl Designed for the Interior/ Exterior Markets.
- Suitable for Marine & Commercial Upholstery.
- 137cm Wide.
- 1.1mm 652 grams per m2.
- PVC with Polyester/Cotton Backing.
- UV Stabilised.
- Abrasion Resistance.
- Protective Finish for Easy Maintenance.
- Flame Retardant (Tested to AS1530.3).
- 2 Year Warranty Against Cracking & Fading.



Horizon Polyester Fabric

- A 100% polyester fabric with Anti UV and Anti Mildew treatment.
- Tested to 50,000 rubs.
- Designed for many applications including furniture,trimming, marine, motorhome and commercial.
- 145cm wide.





Charcoal SFPHCC



Cloud SFPHCD



Chocolate SFPHCH



Cherry SFPHCR



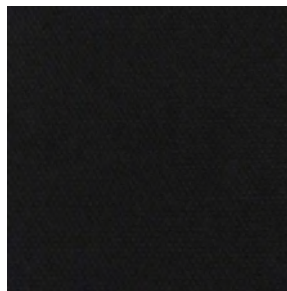
Denim SFPHDM



Fawn SFPHFN



Gunmetal SFPHGM



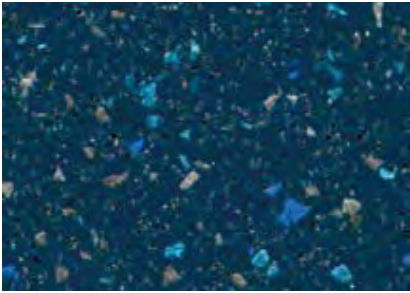
Ink SFPHIK



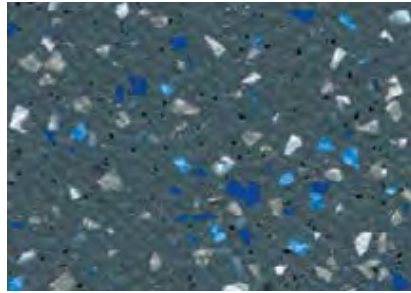
Pistachio SFPHPS

Gerflor Tarabus Helios NT LW

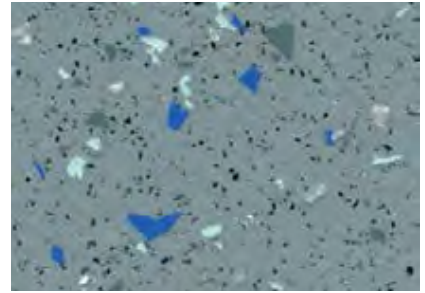
- Plasticised compact PVC, stabilised with a glass fiber web. Anti-slip mineral particles and PVC particles on the surface. Non - woven backing.
- Roll width 200cm.
- Roll length 12 - 24m.
- Thickness 2.25 +/- 0.15mm ISO 24346.
- Weight per m² 2.20 +/-0.15mm ISO23997.
- Dimensional stability 6h at 80°C ≤0.3% ISO23999 ASTM D 1204.
- Abrasion resistance TABER - H18 wheels 1000g 1000 cycles weight loss ≤ 300mg ISO 9352.
- Slip resistance R10 DIN 51130.
- Colour fastness ≥ 7 ISO 105 B02 ISO 4582/80 ASTM D 4459.
- Fire resistance ISO3795/76 0mm/mn, FMVss 302 Conform (ignited but extinguished), ASTM E 648 Class 1, 95/28/CE Conform, R 118 Conform.
- Chemical resistance Unaffected by diluted acids and bases. Unaffected by domestic products excluding solvents for plasticised PVC.



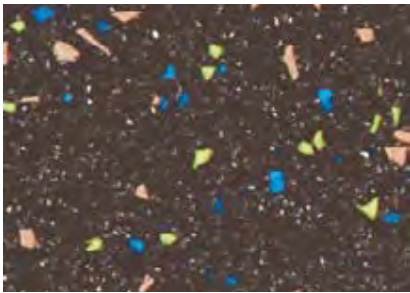
Vanadium - Indent Only



Palladium - Stock



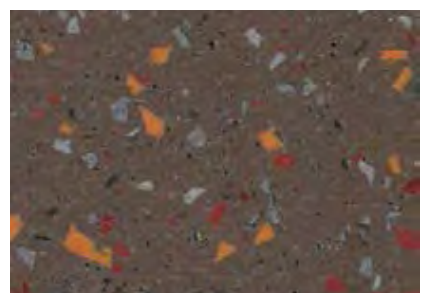
Selenium - Stock



Samarium - Indent Only



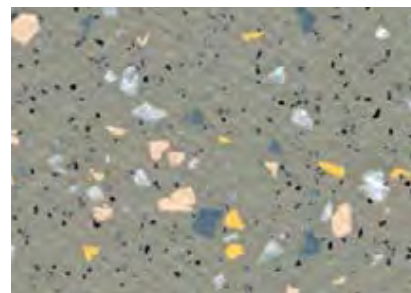
Osmium - Indent Only



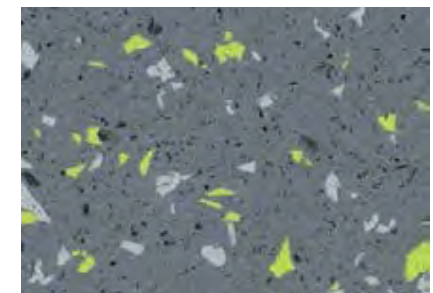
Rhenium - Indent Only



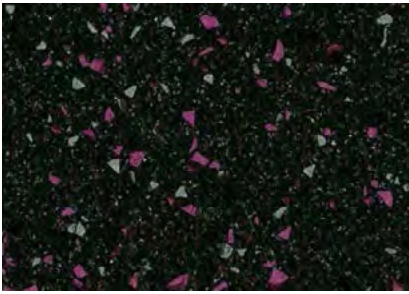
Rhodium - Indent Only



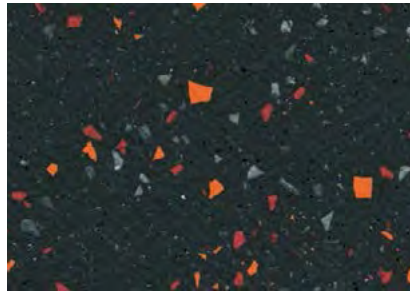
Scandium - Indent Only



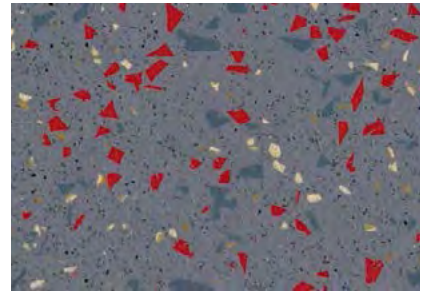
Cerium - Indent Only



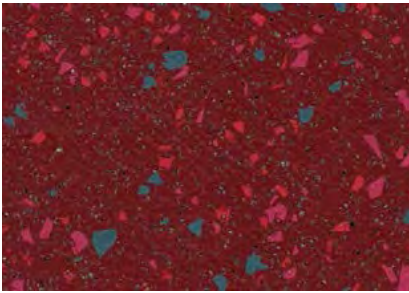
Indium - Indent Only



Gallium - Indent Only



Dubnium - Indent Only



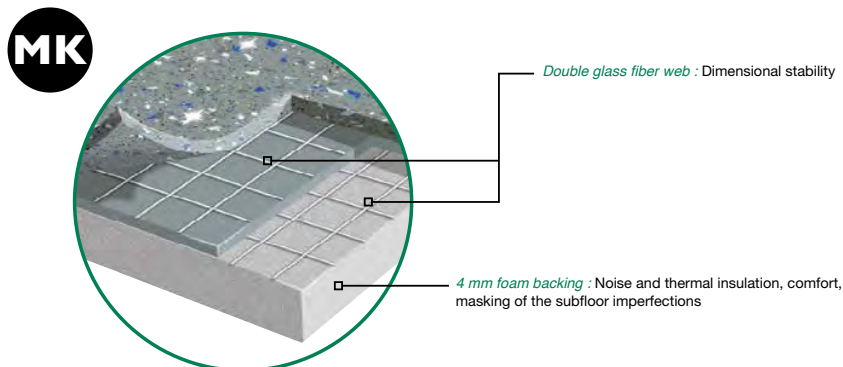
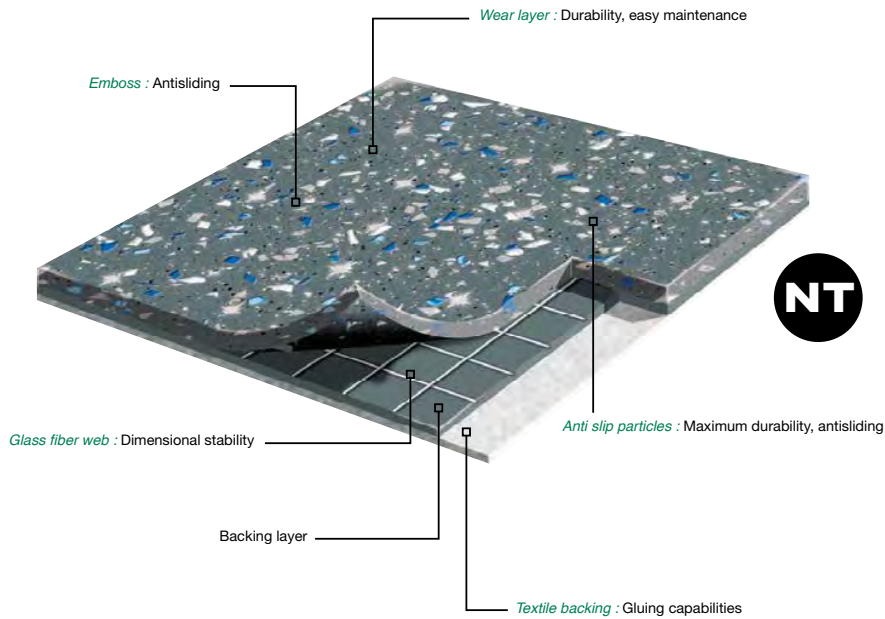
Thorium - Indent Only

Weld Rod Round

- Sold by the 100m roll.
- Stocked in Palladium and Selenium



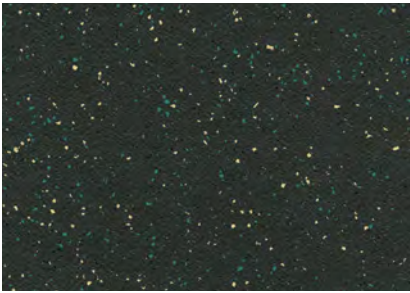
► Tarabus standard



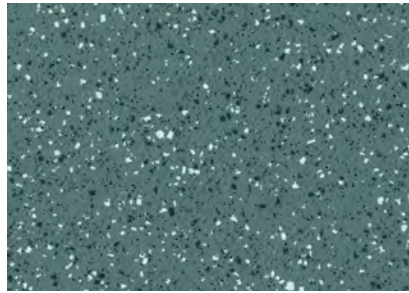
Gerflor Tarabus Galaxy Gemini 6571

- Plasticised compact PVC, stabilised with a glass fiber web. Anti-slip mineral particles and PVC particles on the surface. Non - woven backing.
- Roll width 200cm.
- Roll length 24m.
- R10 slip resistance DIN51130.
- 2.25mm thick.
- 2.2kg's per square metre.
- Fire and chemical resistant.

Products in the range



Pegasus MGGTGALPEG
Stock



Gemini MGGTGALGEM
Stock

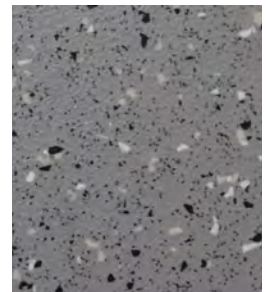
Borflor (Wepl) Vinyl Flooring

- PVC vinyl flooring with Quartz sand. Fabric backing.
- Abrasion resistant. 0.9mm wear layer.
- Comes with an 8 year warranty.
- Chemical and slip resistant. Fire Retardant. Easy to clean.
- 200cm x 20m.

Products in the range

Black MGVBK

Stone MGVFST



MGVF_ _

Borflor (Wepl) Vinyl Welding Rod - Stone

- To match Borflor flooring colours.



MGVFWRST

Borflor Vinyl Flooring Priority Seating Insert Sets

MGVFPSI

- Priority seating insert set including 2 wheelchair signs and 1 no standing.
- Safety grade flooring.



Borflor Vinyl Flooring Priority Seating Insert Pram Logo

MGVFPSIP

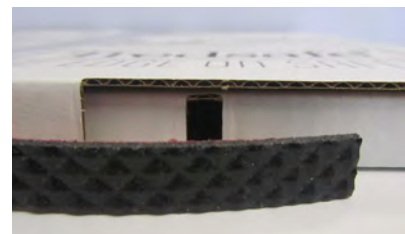
- Priority seating insert Pram logo. Size 400mm x 400mm.
- Safety grade flooring.



Tredsafe Edge Insert 13mm Black

MGTRED13BK

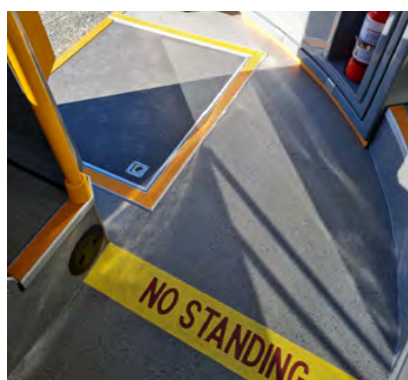
- Tredsafe step insert, 13mm wide, black, raised diamond tred, pyramid pattern provides great edge slip resistance. Peel and stick installation for a tidy finish.



Tredsafe Edge Insert 43mm Yellow

MGTRED43Y

- Tredsafe step insert, 43mm wide, yellow, raised diamond tred, pyramid pattern provides great edge slip resistance. Peel and stick installation for a tidy finish.



Restud Rubber Coin Matting Black

MGYTRS

- Used in high wear areas such as bus step wells, aisles and commercial entrances etc where non-slip and hardwearing qualities are important.
- 3mm x 120cm x 10m.



Aqua-Tranz™ Flooring and Lining

- Needle punched velour. High quality 100% polyester. High UV stability.

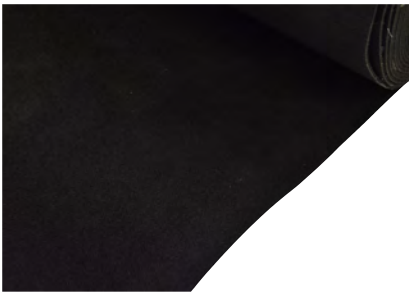
Unbacked Soft

- 200cm x 25m, 500gsm marine and commercial wall liner.
- Used for hull lining, van wall lining, boot lining and bus luggage compartments.

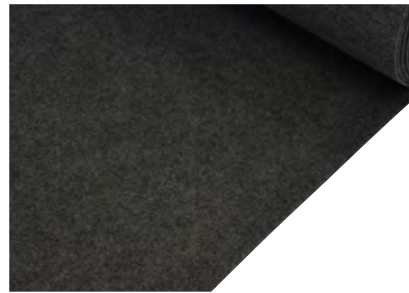
Backed Firm

- 200cm x 25m, 580gsm marine and commercial floor lining.
- Melded with a firm backing. Used for marine flooring, automotive flooring and outdoor applications.

Products in the range



Black
Unbacked CPVUBK
Backed CPVBBK



Charcoal
Unbacked CPVUCC
Backed CPVBCC



Grey
Unbacked CPVUGY
Backed CPVBGY



Ash
Unbacked CPVUAH

PVC Matting

MGPVC_ _

- Embossed finish for antislip. Semi gloss finish for easy clean. Used for van flooring, cargo bays, industrial flooring.
- 2mm thickness 10m roll.

Products in the range



Black 183cm MGPVC175BK

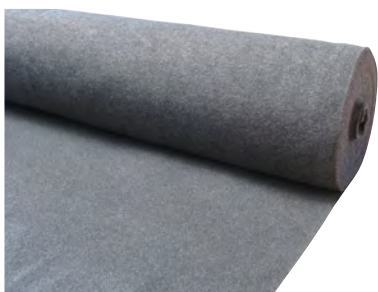


Charcoal 195cm MGPVC195CC

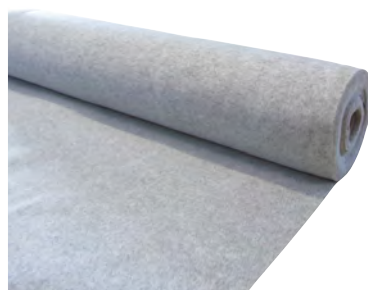
Caribbean™ Hull Liner

- 200cm x 25m, 450g/m2 non-woven, polyester, low profile velour liner.
- Used for marine interior lining, parcel shelves, headlining.
- Needle punched, melded, and UV treated, this moisture and UV resistant liner helps to prevent the growth of mildew and mould, contributes to noise reduction, and is highly resistant to abrasion.

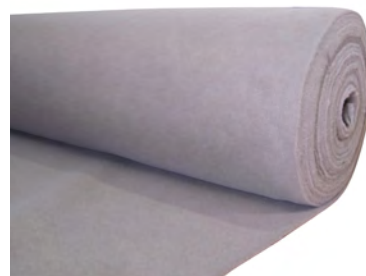
Products in the range



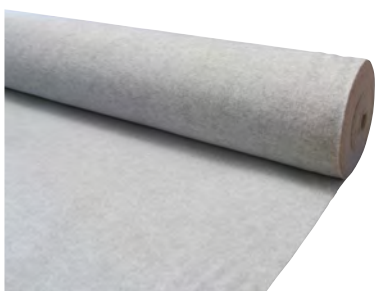
Graphite CPCHLGT



Storm CPCHLSM



Earth CPCHLEA



Dusk CPCHLDK



Sand CPCHLSS

Pacific Marine Carpet

- Marine grade heavy duty non slip polypropylene carpet with a resin backing.
- UV resistant to withstand harsh outdoor conditions.
- Suitable for use on bus and coach lockers, boat decks, pontoons, outdoor ramps and walkways as well as indoor/ interior applications such as garages.

Products in the range



Slate Ribbed CPPRSL



Grey Ribbed CPPRGY



Slate Plush CPPPST



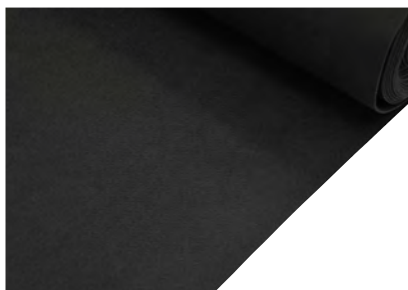
Boston Bootliner and Trunkliner

- Bootliner - Flexible lightweight polyester 280gsm fabric for lining boots or vehicle compartments.
- Trunkliner - Polyester 360gsm fabric used for lining parcel trays, trunks, car boots, and luggage compartments.
- 200cm width. Approx 50m roll.

Products in the range



Bootliner Charcoal CPBBLCC

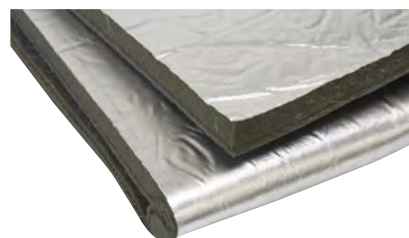


Trunkliner Black CPBTLBK

Acoustop Multigrade Noise Insulation

AMABW4

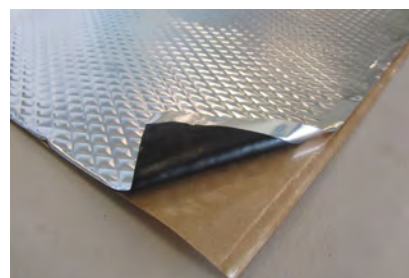
- 1m x 1.3m Sheet.
- Foil faced, fire tested noise barrier. Total thickness 32mm. Ideal for coach or boat engine compartment lining. Combines the benefits of a high performance flexible noise barrier and acoustic foam to achieve maximum noise reduction from an enclosure. Offers 45% more perceivable noise reduction than plain foam.
- Manufactured as an easily installed composite lining, it allows for simple application into small and difficult to line spaces. Low maintenance Bonded Foil facing provides a robust surface finish, ensuring protection from damage and giving maximum AS1530 Part 3 Early Fire Hazard properties.
- Moisture proof, dust proof and chemical resistant. No specialist tools or equipment required for installation. Easily fitted with standard adhesives and tapes.



Sound Barrier Decidamp CLD PRO 500mm x 1000mm x 1.5mm

AMAPRO

- 1m x 1.3m Sheet A constrained layer, visco-elastic damping material, designed to reduce structural vibration and sound transmission within light gauge materials. Decidamp CLD PRO was developed to meet market noise reduction requirements in the automotive, industrial and OEM markets.
- Lightweight and easy to handle. Easy to install, high tack self-adhesive backing. Remains flexible and does not become brittle. Resistant to weather and UV light.
- Applications: Most effective when applied to lightweight panels and steel substrates of up to 2mm, aluminium substrates up to 4mm and FRP (solid) up to 6mm thick.



Ados F55 General Purpose Sprayable 20L

ADAS_

- Sprayable, long tack contact adhesive. Specifically developed for commercial contractors, it is ideal for bonding large areas.
- Coverage 5-6m² per litre, both surfaces.
- Bonds most materials to each other or other substrates with the exception of PVC. Suitable for use on polyurethane foam, metals, pinex tiles, veneer, benchtop laminates, plaster, concrete, fibreglass, particle boards, timber, carpets, cork, plastics, cardboard, fabrics, leather, weatherseals, some cloth-backed vinyls, sound deadening and thermal insulation materials, PVC skirting and stairnosing extrusion, butyl rubber roofing, artificial grass and outdoor carpets.



Products in the range

ADASC 20 Litre Clear

ADASR 20 Litre Red

Ados AA12 F38 Adhesive Clear

ADAA12_ _

- High temperature, short tack adhesive. Especially suited for areas where high temperatures are encountered, such as those exposed to direct sunlight, as well as heater and cooking surrounds.
- Coverage 3-5m² per litre, both surfaces.
- Widely used by formica laminators, motor trimmers and insulation installers, it is suitable for use on polyurethane foam, metals, pinex tiles, veneer, benchtop laminates, plaster, concrete, fibreglass, particle boards, timber, carpets, cork, plastics, cardboard, fabrics, leather, weatherseals, some cloth-backed vinyls, sound deadening and thermal insulation materials, and some rubbers.



Products in the range

ADAA1220 20 Litre

ADAA1204 4 Litre

ADAA1201 1 Litre

Ados F92 Sprayable Adhesive 20L Clear

ADA92C

- This adhesive is formulated to offer very controlled spraying with air driven spray equipment. It is a low viscosity product which gives a fine glue line.
- When sprayed it generates virtually no mist, so no airbourne waste and very little vapour.
- It has exceptional performance, superior bond strength and will bond most materials to each other or other substrates.
- Coverage 4-8m² per litre, both surfaces.



Ados F2 Adhesive

ADAF2_ _ _

- A high performance general purpose contact adhesive. It is water resistant and flexible and its high bond strength makes it ideal for a wide range of uses.
- Coverage 3-4m² per litre, both surfaces.
- It is easily applied, durable and bonds instantly to most substrates Suitable for use on polyurethane foam, metals, pinex tiles, veneer, benchtop laminates, plaster, concrete, fibreglass, particle boards, timber, carpets, cork, plastics, cardboard, fabrics, leather, weatherseals, some cloth-backed vinyls.



Products in the range

ADAF2L04 4 Litre

ADAF2L01 1 Litre

ADAF2A575 575ml Aerosol

Ados AP 81 20 Litre Indent Only

ADA8120

- High strength adhesive developed for bonding flexible unbacked PVC/vinyl and polyurethane plastics. Suitable for use on swimming pool liners, silk screen boards and inflatable toys and boats.
- Coverage 5-6 m² per litre, both surfaces.
- Has high resistance to and is specially stabilised against excessive and early yellowing and staining due to sunlight providing excellent UV resistance.



Ados Solvent N

ADANL_ _ _

- General purpose solvent, cleaner and thinner.
- Can be used as a thinner with F2, F22, F38 and F55 adhesives, as well as for pre-wiping surfaces, softening flooring adhesives, and cleaning down shower units and other surfaces like PVC pipes and fittings.
- Can also be used as a general purpose cleaner of brushes, materials and equipment contaminated by neoprene adhesives.



Products in the range

ADANL01 1 Litre

ADANL04 4 Litre

ADANL20 20 Litre

Ados Stuff Off Adhesive & Paint Remover 500ml

ADASO

- A powerful remover that is designed to soften or dissolve most adhesives and paints as well as uncured laminating resins and uncured sealants.
- The gel formula clings to the surface making it also ideal for vertical applications. It also removes paint spills, graffiti, inks and grease.



Bostik® 1181 General Purpose Brushable Adhesive Natural

ADB1181_ _ _

- Trim and general purpose brushable adhesive. Has long open tack time coupled with moderately high heat resistance and excellent bond strength.
- Suitable for use on rubber/metal, foam, leather, rubber resin, soling compounds and cotton backed PVC. Does not stain light coloured cotton backed PVC under influence of UV light, and is therefore suited for motor trim work. Adhesive is not designed to bond unsupported PVC.

Products in the range

ADB1181B20 20 Litre

ADB118101 1 Litre



Bostik® 1181 General Purpose Sprayable Adhesive 20L

ADB1181S20_ _

- Trim and general purpose sprayable adhesive. Has long open tack time coupled with moderately high heat resistance and excellent bond strength.
- Bonding most materials, it has a low soak through and is repositionable for a short time.
- Suitable for use on leather, paper, some cloth backed vinyls, foils, some rubbers, cork, felt, plastics, labelling, cardboard, sail cloth, fabrics, and photographs.

Products in the range

ADB1181S20 20 Litre Sprayable Natural

ADB1181S20RD 20 Litre Sprayable Red



Bostik® 555 Sprayable Adhesive

ADB555_

- General purpose/laminating adhesive that can be applied by brush, roller or spray. Versatile adhesive which can be used to give high quality bonds to most common building substrates and general laminating operations.
- Plywood, galvanized and other metal sheets, wood veneer, PVC flooring, internal bracing and honey-comb stuffing, Gib-board etc. Ideally suited for bonding decorative laminates such as Formica, Laminex etc. to particle board surfaces.

Products in the range

ADB555N 20L Natural

ADB555R4 4L Red



Bostik® Aerosol High Performance Adhesive 482 grams

ADBAHP

- Creates permanent or temporary bonds and is suitable for use in attaching carpet, door skins, and fabric in van conversions.
- Fast tack.



Bostik® Unigrip 999 HR

ADBUG_ _

- Heat activated, high strength PVC adhesive. Suitable for use on PVC inflatable boats, truck sidings and tarpaulins, and general PVC use.
- Easily brushable, Unigrip 999 has low odour (keytone solvents used) and is specially stabilized against excessive and early yellowing and staining due to sunlight.



Products in the range

ADBUG20 20 Litre

ADBUG04 4 Litre

ADBUG01 1 Litre

Bostik® High Performance Styrene 20L Blue

ADBSTY20BL

- High performance, sprayable contact adhesive for polystyrene. A synthetic rubber based with excellent green strength, flexibility, sprayability and temperature resistance.
- It is suitable for bonding polystyrene foam and a variety of other light-weight materials to: Steel, Concrete, Wood, Masonry, Hardboard, Asbestos Cement Sheet, Particle Board, Polystyrene Foam, Aluminium, Insulation Batts, Galvanised Iron, Fibreglass Reinforced Plastics, EIFS, Prefabricated Buildings, Sandwich Panels, Cool Rooms, Caravans and Mobile Homes.



Bostik® Solvent No.4

ADBSN4_ _

- Strong, thinning solvent. Used to thin or reactivate urethane - or nitrile-based adhesives. Also used to remove dried adhesives from a variety of surfaces and to clean PVC prior to cementing with adhesives.

Products in the range

ADBSN420 20 Litre

ADBSN404 4 Litre

ADBSN401 1 Litre



Reid and Twine are the NZ distributors for VELCRO® Brand tapes.

Swiss engineered hook and loop fasteners proven throughout the world. We have an extensive range of Velcro options available, check out our website, talk to your Area Manager or call our Customer service staff members for solutions.



VELCRO® Brand Standard Tape 25m

FAVS_ _ _

- The perfect nylon fastener to sew on to any fabric by hand or machine. Can also be rivetted, screwed, nailed or stapled. Rust and jam-free it will out perform and outlast traditional fasteners.

Available in

20mm Black and White

25mm Black White, Beige, Grey

38mm Black, White

50mm Black, White, Beige

100mm Black and White



VELCRO® Brand Pressure Sensitive 0172 Tape 25m

FAVP_ _ _

- Pressure sensitive acrylic self adhesive with superior bond strength and high temperature performance. 25m roll.

Available in

20mm Black and White

25mm Black, White and Beige

50mm Black and White



VELCRO® Brand Industrial MVA8

- Heavy duty moulded hook tape that has very high strength and is suitable for applications requiring a more permanent fixing. MVA8 hook is a moulded nylon hook with an arrowhead design.
- A moulded nylon hook tape can be mated with woven nylon or polyester loop, forming a closure with almost twice the fastening strength of 'standard' woven nylon hook and loop.

Available in

FAVMVA8PS Pressure Sensitive

FAVMVA8S Standard



VELCRO® Brand Heat & Solvent Activated 50mm White

FAVH50WT

- Ultimate bond strength for permanent bonding applications. Moisture resistant. Activated by using acetone, MEK or heat.
- RF weldable. Operating temperature -40° to 121°C. Substrates ABS, acrylic, PE, PP.



Delfast Staple Air Gun 80 Series

SPAG80

- Top quality stapler with bottom loading magazine. Perfect balance and lightweight. Suitable for marine upholstery and motor trimming industries.



Delfast Staples 80 Series Galvanised 10000

SP80G_ _

- Galvanised Staples. Crown width 12.9mm, Wire size 0.6 x 0.95mm, 21 gauge.
- Suitable for Marine Upholstery and Motor Trimming industries.

Products in the range

SP80G4 4mm

SP80G6 6mm

SP80G8 8mm

SP80G10 10mm

SP80G12 12mm

SP80G14 14mm



Delfast Staples 80 Series Stainless Steel 5000

SP80SS_ _

- Stainless Steel Staples. Crown width 12.9mm, Wire size 0.6 x 0.95mm, 21 gauge.
- Suitable for Marine Upholstery and Motor Trimming industries.

Products in the range

SP80SS4 4mm

SP80SS6 6mm

SP80SS8 8mm

SP80SS10 10mm

SP80SS12 12mm



High Density Foam 30-400

FM30400_ _

- 2050mm x 1930mm 3.95sq metres.

Products in the range

FM3040025 25mm thickness

FM3040050 50mm thickness



Plain Foam SH 28-170 Grade

FMCP_ _ _

- 2050mm x 1930mm 3.95sq metres.

Products in the range

FMCP006 6mm thickness

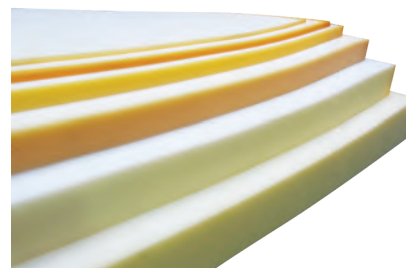
FMCP012 12mm thickness

FMCP025 25mm thickness

FMCP050 50mm thickness

FMCP075 75mm thickness

FMCP100 100mm thickness



Dunlop Bonded Foam Sheets 25mm CTB085

FMB_ _ _

- A low to medium density foam used for gymnastic mats and equipment. Foam density 85kg per cubic metre.
- Sheet size is 1990 x 1190.

Products in the range

FMB2585 25mm thickness

FMB5085 50mm thickness



Motor Homes, Caravans and RV Vehicles

R&T has aligned itself with leading manufactures to support local manufacturing & repair industries around New Zealand. Motorhomes, caravans, RV's, van conversions, bus conversions, campervans, camping trailers or tear drop trailers - supporting quality brands.

Locks Comprehensive range of vehicle specific locks, internal release options, single point cams, 2 & 3 way systems as well as compression. Check out pages 6-37.



Hinges Door, locker options to suit your application, different designs to be mounted vertical or horizontal, opening left or right, recessed, flush and low profile over a selection of opening degree's. Check out pages 38-53.



Catches Retainers, spring loaded and over centre options to meet your clients need. Check out pages 54-69.

Fasteners Gravelly and Quarter turn, Pull rings and tie down points. Check out pages 54-69.



Handles Recessed, locking and grab handles for interior & exterior applications. Check out pages 70-73.

Gas stays Quality easy lift gas stays pre gassed to meet your requirements. A large range of length and newton options in stock. Check out pages 86-89.

Drawer slides in three different weight ranges from 45kg to 227kg per pair. 100% extension, perfect for long storage drawers under or around your vehicle, BBQ, camping equipment, gas bottles or tools. Check out pages 90-93.

Seals, Edge trims & Mouldings Cover a raw edge or seal a door from the weather, Glaze your windows? Mount buffer blocks to protect the panel work. Check out pages 94-107.

Water tanks and pumps Potable Water and waste water storage, pumps to move it around the vehicle. Need to have hand washing facilities, mount a unit for external vehicle access. Check out pages 109-111.

Heating & Ventilation Ducting to vent outlets, roof hatches, electric, manual or permanent openings. Options for when a vehicle is parked up or moving on the motorway. Check out pages 112-133.

Seatbelts Vehicle Cab belts from APV safety. Passenger seating area approved belts to suit your needs. Lapbelts, Buckles and Retractor options. Designed to your requirements if needed? Forward, side or rear facing seats? Let R&T and APV help with your design. Check out pages 162-165.

Mirrors Aftermarket cab mirror options or extensions to your mirrors from wider bodies. Versus Mirrors can offer solutions to most of your needs. Not in the R&T catalogue or website? Just ask us to find a solution. Check out pages 172-173.

Fabrics and Vinyl's Hardwearing and designed with function and style in mind. Flammability, anti-mildew and antimicrobial properties within our ranges. Check out pages 178-187.

Wall lining and Flooring R Rated Safety, rubber, marine grade, PVC or Wood grain Vinyl flooring, stepwells to lounge areas can be supplied in different design options. Check out pages 188-193.

Consumables Adhesive & solvents for your flooring and prep. Staples and Velcro for your fastening requirements. Check out pages 194-201.



camira



Animal Transportation and Equine Vehicles

R & T has aligned itself with key manufacturers worldwide to support the local manufacturing and repair industries in New Zealand. Horse trucks, horse floats and toy haulers are amongst some of the end use products our range complements.

Locks Comprehensive range of vehicle specific locks, internal release options, single point cams, 2 & 3 way systems as well as compression. Check out pages 6-37.

Hinges Door, locker options to suit your application, different designs to be mounted vertical or horizontal, opening left or right, recessed, flush and low profile over a selection of opening degree's. Check out pages 38-53.

Catches Retainers, spring loaded and over centre options to meet your clients need. Check out pages 54-69.

Fasteners Gravelly and Quarter turn, Pull rings and tie down points, lashing rings to secure your horse to the vehicle. Check out pages 54-69.

Industralas



Handles Recessed, locking and grab handles for interior & exterior applications. Check out pages 70-73.



Gas stays Quality easy lift gas stays pre gassed to meet your requirements. A large range of length and newton options in stock. Check out pages 86-89.

Drawer slides In three different weight ranges from 45kg to 227kg per pair. 100% extension, perfect for the tack drawers or BBQ. Check out pages 90-93.



Seals, Edge trims & Mouldings Cover a raw edge or seal a door from the weather, Glaze your windows. Mount buffer blocks to protect the panel work. Check out pages 94-107.



Water tanks and pumps Potable Water and waste water storage, pumps to move it around the vehicle. Need to have hand washing facilities, mount a unit for external vehicle access. Check out pages 109-111.

Heating & Ventilation Ducting to vent outlets, roof hatches, electric, manual or permanent openings. Options for when a vehicle is parked up or moving on the motorway. Check out pages 112-133.



Seatbelts Vehicle Cab belts from APV safety. Passenger seating area approved belts to suit your needs. Lapbelts, Buckles and Retractor options. Designed to your requirements if needed? Check out pages 162-165.



Mirrors Aftermarket truck cab mirror options or extensions to your mirrors for wider bodies. Versus Mirrors can offer solutions to most of your needs. Check out pages 172-173.



Emergency Emergency exit options from Glass breakers to roof hatches. Products to help meet your compliance requirements. Check out pages 170-171.



Fabrics and Vinyl's Hardwearing and designed with function and style in mind. Flammability, anti-mildew and antimicrobial properties within our ranges. Check out pages 178-187.



Wall lining and Flooring R Rated Safety, rubber, marine grade, PVC or Wood grain Vinyl flooring, stepwells to lounge areas can be supplied in different design options. Check out pages 188-193.

Consumables Adhesive & solvents for your flooring and prep. Staples and Velcro for your fastening requirements. Check out pages 194-201.



Agricultural & Off Highway Machinery

R & T has aligned itself with key manufacturers worldwide to support the local manufacturing, repair and after market industries in New Zealand. We are the sole distributor into the New Zealand aftermarket for GRAMMER and support a growing number of new seats and related parts.

Locks Compression, T handle, slam locks for OEM aftermarket solutions. Check out pages 6-37.



Hinges Cabinet, service vehicle box or panel work hinges, bolt on, weld on in multiple shapes and sizes. Check out pages 38-53.



Catches Retainers, spring loaded and over centre options to meet your specific needs. Not on the shelf, we can source from R&T's OEM manufacturing network. Check out pages 54-69.



Handles Recessed, locking and grab handles for interior & exterior applications. Check out pages 70-73.



Gas stays Quality easy lift gas stays pre gassed to meet your requirements. A large range of length and newton options in stock. Check out pages 86-89.

Seals & Edge trims Cover a raw edge or seal a door from the weather, Glaze your windows. Need new door or tool box seals. Check out pages 94-107.

Seating New Zealand's distributor of Grammer seats. We are stocking Manual or Air options for both tractor or other off highway vehicles. Check out pages 135-161.

Seatbelts APV safety belt options manufactured to the latest health and safety requirements and standards. Let us know what your requirement is. Check out pages 162-165.

Blinds Is the sun effecting your ability to perform effectively in the vehicle. We stock sun blind options designed with industry in mind, sourced from multiple manufacturers around the world renowned for OEM support. Check out pages 166-169.

Mirrors Need new arms, mirrors or just a spotter mirror to help protect people and machinery, R&T represent Versus mirrors in NZ with an ever expanding range of industry specific solutions. Check out pages 172-173.

Matting, Floorng & Lining worn through your old tractor mats? We can supply options off the roll to meet your needs. Check out pages 188-193.

Heating & Ventilation, Cab Heaters & Demisters We supply components for all types of on and off highway machinery. Heater demisters, electric, 12v & 24v water heat exchangers, air ducting and ventilation outlets or adaptors. Our networks have EV capabilities as more and more vehicles become solely electric. Check out pages 112-133.

Industralas



Heavy Transport Vehicles

R&T has aligned itself with key manufacturers worldwide to support the local manufacturing and repair industries in New Zealand. Truck Tool Boxes, Hydraulic tanks, Locking, hinging and sealing hardware for trucks with Boxed bodies, Tipper bodies, Curtain Siders, Flat decks and many more heavy transport builds. We are working closely with fabricators nationwide to support builds and new industry innovation.

Tool Boxes Red Flag tool boxes to fit your required situation, full stainless, powder coated with a stainless door or fully powder coated options, good range of sizes and styles. Check out pages 74-79.

Hydraulics We have a range of hydraulic tank capacities in 2 different shapes, filter and filler breather to suit. Check out pages 82-84.

The logo for Red Flag, featuring the word "redflag" in a lowercase, sans-serif font. The "red" is in red and the "flag" is in black. A red flag icon is positioned above the "a" in "flag".

Locks Tipper locks and catches, 21, 27 & 34mm Cam Lock door sets, compression, cabinet or recessed chiller body solutions from a wide variety of manufacturing source's. Check out pages 6-37.



Hinges From your small tool box hinge to large door or flap hinges. Recessed, low profile with or without a seal step. Check out pages 38-53.

Catches & Fasteners We have over centre catches, spring bolts, door retainers and tie down points. Check out pages 54-69.



Handles Grab handles for support, lifting yourself up and handles for opening panels or doors. Check out pages 70-73.



Rubber products, Seals & Edge trims Rubber buffer blocks for protection, door seals H & J sections as well as body mouldings. Check out pages 94-107.



Mirrors We carry a range of aftermarket mirrors manufactured by Versus Mirrors. Check out pages 172-173.

Cab Flooring protection matting for your cab floors, we have rubber matting off the roll or R 10 Rated safety flooring which you can cut to shape as required. Check out pages 188-189.



Carpets or linings Furniture truck batten coverings, try our backed or non-backed vehicle carpet, we can arrange this to be slit to your required width. Check out pages 190-193.



Seating Grammer GS12 or the MSG20 make the perfect outdoor vehicle mounted seat while operating your crane or machinery. Check out pages 143-144.



Hand Wash Units Keep clean while out in the field or on the road, hand wash unit with soap dispenser mounted under the vehicle deck will help reduce the transfer of dirt, oils or disease. Check out page 109.



Passenger Mobility, Bus, Coach & Van

R&T has aligned itself with key manufacturers worldwide to support the local manufacturing and repair industries in New Zealand. Suppliers to the Bus & Coach industries with specified original equipment fit for purpose. We work closely with the industries body builders to help develop reliable solutions for their ongoing projects.

Locks Comprehensive range of vehicle specific locks, internal release options, single point cams, 2 & 3 way systems as well as compression 24v or 12v central locking, rotary lock and catch. Check out pages 6-37.

Hinges Door, locker options to suit your application, different designs to be mounted vertical or horizontal, opening left or right, recessed, flush and low profile over a selection of opening degree's, continuous designs and maintenance free. Check out pages 38-53.

Catches Retainers, Stayputs or Commonsense Turn Buttons for school signs. Finger pulls for wheel chair ramps. Check out pages 54-69.

Fasteners Door holders, rubber, nylon or cast steel spring loaded, Gravelly and quarter turn, finger pull locking latch. Check out pages 54-69.



Handles Recessed, locking and grab handles for interior & exterior applications, handles for passenger entrance doors and recessed lifting handles, passenger grab handles. Check out pages 70-73.



Gas stays Quality easy lift gas stays pre gassed to meet your requirements. A large range of length and newton options in stock, lockers, service panels or engine bay covers, we have something in our range for you. Check out pages 86-89.



Drawer slides Drawer slides in three different weight ranges from 45kg to 227kg per pair. 100% extension, need a locking slide out for your batteries. Check out pages 90-93.



Seals, Edge trims & Mouldings Cover a raw edge or seal a door from the weather, stop dust from entering the side lockers. Check out pages 94-107.

Body Moulding Rubber side mouldings with carrier profile, vehicle rub strip. Check out pages 106-107.



Ventilation Under dash heater demisters, under seat heaters, centrifugal motor fans, vent outlets and passenger service panels. Check out pages 112-135.

Mirrors Coach and city bus mirror arms, flat or convex single lens or split, 24v electric. Check out pages 172-173.



Seating Grammer driver seating, both belted and non-belted seats to choose from to meet your requirements, 24v air ride, parts available. Check out pages 135-161.

Seat Belts APV safety products manufactured for Vogel, McConnell and Styleride passenger seats, wheel chair restraints for city buses or replacement stalks. Check out pages 162-165.



Emergency Emergency exit options from Glass breakers to roof hatches. Products to help meet your compliance requirements. Check out pages 170-171.



Blinds Scissor, ratchet and electric styles ranging from 546mm wide to 2000mm. Check out pages 166-169.

Electrical Bus stopping lights, wireless bell pushers and interface units. Check out pages 174-177.



Fabrics Ranges of woollen moquettes by Camira, polyester and blends from our own Polytranz range as well as approved regional specific patterns for the city bus market. Check out pages 178-187.



Flooring R10 Rated Safety Borlfor, priority insert logos wheel chair and pram with no standing signage, rubber coin matting for your steps, marine grade carpets and linings for luggage lockers. Check out pages 188-193.



Consumables Adhesive & solvents. Staples and Velcro for your fastening requirements. Check out pages 194-201.

Utes, Vans & Service Vehicle

R&T has aligned itself with key manufacturers worldwide to support the local manufacturing and repair industries in New Zealand. Locking, hinging and sealing hardware for trade utility vehicles, vans and commercial vehicles. Components to help protect your investment in tools and machinery.

Locks Comprehensive range of vehicle specific locks, internal release options, single point cams, 2 & 3 way systems as well as compression. Check out pages 6-37.



Hinges Door, locker options to suit your application, different designs to be mounted vertical or horizontal, opening left or right, recessed, flush and low profile over a selection of opening degree's. Check out pages 38-53.



Catches Retainers, spring loaded and over centre options to meet your clients need. Check out pages 54-69.



Fasteners Gravelly and Quarter turn, Pull rings and tie down points, lashing rings to secure tools or boxes to your deck or vehicle. Check out pages 54-69.



Handles Recessed, locking and grab handles for interior & exterior applications, handles for drawers, tool boxes and lockers. Check out pages 70-73.



Gas Stays Quality easy lift gas stays pre gassed to meet your requirements. A large range of length and newton options in stock. Check out pages 86-89.



Drawer slides in three different weight ranges from 45kg to 227kg per pair. 100% extension, perfect for the service utility tool box drawers. Check out pages 90-93.

Tool Boxes Red Flag on or under deck, wheel arch tool boxes, powder coated or Stainless options. Check out pages 74-79.



Seal, Edge Trims & Mouldings Cover a raw edge or seal a door from the weather, stop dust from entering the canopies, lockers and boxes. Check out pages 94-107.



Water Tanks & Pumps Potable Water and waste water storage, pumps to move it around the vehicle. Need to have hand washing facilities, mount a unit for external vehicle access. Check out pages 109-111.



Ventilation Protect the contents of your vehicles cab or boxed sections by allowing adequate ventilation, wet tools or clothing can lead to damaged product, allow for air movement. Check out pages 112-133.

Mirrors Aftermarket spotter mirror options or extensions to your mirrors from wider bodies. Versus Mirrors can offer solutions to most of your needs. Check out pages 172-173.



Emergency Emergency exit options from Glass breakers to roof hatches. Products to help meet your compliance requirements. Check out pages 170-171.



Wall Lining & Flooring R Rated Safety, rubber, marine grade, PVC, line your boxes with rubber matting or marine grade carpet that can be hosed off. Check out pages 188-193.



Consumables Adhesive & solvents. Staples and Velcro for your fastening requirements. Check out pages 194-201.



Like all businesses we can't survive without reliable suppliers. Here is some background on some of Reid and Twinames key ones.

camira

Camira, formerly Holdsworth, is famous around the world for weaving the original high performance seating fabrics for passenger transport interiors. With manufacturing origins dating back to 1822, Camira now sells over 1 million metres of transport fabric worldwide each year.

Camira's capability starts with the yarn itself - from wool spinning and yarn manufacture, through to yarn dyeing, warping, weaving, technical knitting and textile finishing. Maintaining end to end control of the manufacturing process ensures optimal quality right along the production chain.

Camira's wide ranging design and manufacturing expertise covers not only traditional moquette fabrics for seating, they also offer custom made design services to create client specific fabrics to fit individual requirements, for example corporate logos or colour schemes.



More than 100 years ago the success story of GRAMMER began with the opening of a saddlery by Willibald Grammer in Amberg. Since this time GRAMMER has been developing from a regional manufacturer of seat cushions to a global player in the automotive and commercial vehicle industry.

GRAMMER set the standard in terms of health, safety and comfort and is an innovation leader in biomechanics, ergonomics and user friendly operation.



A Pelzer Family Company

Happich were founded in 1924 and the Happich product portfolio now includes: interior components, locking systems and fittings, profiles and acoustic parts for the commercial vehicle market.

Reid & Twiname have been Happich's official and exclusive distributor in New Zealand since July 1987. A fruitful partnership which was established 30 years ago and which is still a successful team after many years.



Created in 1993, KALORI has over 100 employees in France, along with 50 employees at their sister site in China. With an annual turnover of 19 million, 55% of which is exports across the world.

KALORI designs and manufactures heating, air conditioning and ventilation systems, as well as accessories, for OEM installations on Special and Industrial Vehicles.

Their testing facility and resources allow development, with precision for transport air conditioning requirements

Partnering with Reid and Twiname for 10 years – we supply Heaters for Bus, Boats, Public works and Agricultural Machinery ; Air diffusion louvres and accessories ; as well as Roof Ventilators for the NZ market.

These components, manufactured to the highest standard will give your vehicle the comfort and quality of the biggest manufacturers.



Specialising in developing, manufacturing and marketing high quality PVC floor coverings for the Transport, Commercial and Residential sectors. Borflor (formerly known as Wepfl) is the star brand of the company. In 2013 and 2014, Borflor won the title of "The Top 10 brands in pvc flooring industry in China" from China Association of Decorative Building Materials.



Manufacturers and distributors of industrial hardware, Albert Jagger was incorporated in 1887 and originally manufactured parts for horse drawn vehicles (such as handles, hinges and lamps), as well as saddlery items for the horses themselves.

The company was acquired by the Cooper family at the end of WW2 and the company is now in the hands of the fourth generation of the Cooper family.

The engineering division (formerly Burracfirm Limited) was re-branded as Albert Jagger Engineering, then in the Autumn of 2017 the Jagger holdings group acquired another local presswork company (Prestwood Engineering) to strengthen the manufacturing capacity of the company.

The earliest sales correspondence between Albert Jagger and Reid and Twiname has been traced back to the 21st December 1950.

Industralas

Since the startup in 1981 Industrias specializes in the production and sale of commercial products and system solutions for latches, hinges and sealing technology for industrial applications. They offer a wide range of standard products as well as the development and manufacturing of customized solutions, should you need something to make you stand out and be really memorable - or just something that does not yet exist. They have all production departments under one roof, meaning that they control the entire process - from design and manufacturing to surface treatments and assembly. They can definitely help you with your latching solutions!

Widney Manufacturing Ltd

Specialist Engineering Solutions



Founded over 100 years ago to manufacture components for horse drawn carriages, Widney has built on this long experience to become a global market leader in the design and manufacture of vehicle windows and sun blinds and telescopic slides.

Widney has built a strong reputation for supplying quality products, as such the company is ISO 9001 and ISO 14001 approved and offers both standard and bespoke solutions on a turnkey basis.



Experiences. Technologies. Innovations.

Founded in 1948 as a simple artisanal enterprise dealing with the production of tools. The founder, Giancarlo De Molli, immediately knew how to combine traditional values of the "know how" experience with the great potential of cutting edge technology. In the late '60s, De Molli acquires the first electric induction furnace that will revolutionize forever its method of industrial production. And soon after supplied hinges into the automobile industry including Alfa Romeo. In 2000 we saw the introduction of Robotics into production.

Today, from their 8000m2 facility located in the middle of one of the most industrialized European areas, they are leaders in hot and cold steel and aluminium manufacturing and forming, using mechanical and hydraulic presses, induction furnaces and other specific tools.



Founded in Italy in 1959, SPAL AUTOMOTIVE is a world leader in the design and manufacture of high quality electric fans and blowers for all types of vehicles and equipment.

The SPAL production facility in Correggio - Italy, currently covers a total production area of 66,000m², accommodates over 500 employees and houses the engineering, research & development, and manufacturing departments. We have six automated production lines, which have capability to produce over 5 million fans and blowers annually. SPAL hold TS16949 certification and ISO 9001 certification.

Terms And Conditions Of Sale

1. ACCEPTANCE

1.1 Any contract incorporating an order for products ("the goods") accepted by Reid and Twiname Limited ("the Seller") and thereupon supplied and invoiced by the Seller are in all instances deemed to incorporate these terms and conditions. The Seller's customer ("the Buyer") acknowledges that any future and further purchases it may make are subject to these terms and conditions unless specifically varied or replaced by the Seller in writing. No variation or modification or substitution of these terms and conditions by the Buyer will be binding on the Seller unless specifically accepted by the Seller in writing.

1.2 The Seller may vary or amend these terms and conditions at any time upon first having given 30 days notice to the Buyer, and any further orders by the Buyer will be on the basis of such amended terms and conditions.

2. PRICES

2.1 Any price estimate made by the Seller or any agent or servant of the Seller, or contained in advertisements, catalogues, price lists, illustrations, the Seller's web site or other similar matter, is not binding on the Seller and the Buyer accepts and acknowledges that the binding price for the goods will be that as set out in the Seller's invoice.

2.2 The Seller reserves the right to vary the price of the goods ordered from time to time by the Buyer to take account of any increase in wages, salaries or costs of materials or services or market fluctuation, alterations of customs tariffs, alterations in freight or change in exchange rates or change in risk insurance between the date of the Buyer's order and the date of delivery, or since the last delivery and invoice for such goods to the Buyer.

2.3 If upon receipt of an order by the Buyer the price of the goods has increased as aforesaid, the Seller will use its best endeavours to advise the Buyer of such price increase prior to dispatch of and invoicing for the goods.

2.4 The Buyer accepts and acknowledges that unless agreed in writing beforehand, all prices are quoted ex-store (inclusive of all external freight, tariffs or import and landing charges) and all delivery costs from the Seller's store are the Buyer's responsibility. The cost of freight shall be added to the invoice.

3. GOODS AND SERVICES TAX

Goods and Services Tax or any other sales taxes (if any) will be charged in addition to the price of all goods.

4. NO REPRESENTATIONS, WARRANTIES OR GUARANTEES

4.1 Information, specifications, descriptions, measurements and other data generally relating to the goods sold or supplied by the Seller contained in advertisements, catalogues, price lists, illustrations, the Seller's web site or other similar matter submitted to the Buyer by the Seller while given in good faith, must be regarded only as approximate and a general guide only. The Buyer acknowledges that it must rely upon its own judgment as to the nature, quality and condition of the goods sold or supplied by the Seller and as to their sufficiency for any use or purpose. The Buyer acknowledges that the Seller is under no duty to ascertain the suitability of the goods for any purpose whatsoever and that no such representation has been made by the Seller, its agents or servants.

4.2 Any sample exhibited to or inspected by the Buyer is hereby declared to have been so exhibited or inspected solely to enable the Buyer to judge for himself the quality of bulk and does not constitute a representation by the Seller that the goods are

suitable for any particular purpose. The exhibition of a sample does not constitute a sale by sample.

4.3 Any warranties expressed or implied by law or statute in respect of goods sold or supplied whether in respect of quality, fitness for intended purpose or otherwise, are excluded to the extent that such law or statutes permit exclusion.

4.4 If the Buyer is acquiring the goods for the purposes of a trade or business, the Buyer acknowledges that the provisions of the Consumer Guarantee Act 1993 do not apply. The Seller does not guarantee the availability of spare parts and/or repair facilities in respect of any goods to which the Act may apply.

5. PAYMENT

5.1 Unless otherwise agreed in writing, payment for goods supplied on credit, will be made not later than the 20th day of the month following the month in which the Seller despatches the goods to the Buyer, time for payment being strictly of the essence.

5.2 Without prejudice to any other rights of action the Seller may, in the event of late payment by the Buyer, charge interest on a daily basis to the Buyer at a rate equal to 2.5% per annum over the Seller's principal banker's overdraft rate from time to time, from the time further credit is suspended by the Seller and the date for payment (demand having been made) having expired, until the overdue amounts are paid. Interest will accrue after, as well as before, any judgement which the Seller may obtain against the Buyer. The Buyer will also be liable to pay all of the Seller's expenses and legal and collection costs incurred in attempting to obtain payment or in obtaining a remedy for the Buyer's failure to pay for the goods in accordance with these terms and conditions.

5.3 The Buyer may not set off any payments owing to the Seller against any payments owed by the Seller to the Buyer or any claims which the Buyer may have against the Seller.

5.4 Without prejudice to any other remedies which the Seller might have, failure by the Buyer to pay for goods in accordance with these terms and conditions, or to otherwise comply with the terms and conditions of this contract, or if the Seller deems the Buyer's credit worthiness to be unsatisfactory, will entitle the Seller to suspend and/or cease supply of goods to the Buyer and/or cancel any contracts for the supply of such goods. Upon such cancellation and without prejudice to any other remedies which the Seller might have, all credit in favour of the Buyer will cease and all monies outstanding thereby will become immediately due and payable to the Seller.

5.5 The Seller may require the Buyer to procure such guarantees, indemnities and securities as the Seller considers necessary to secure to the Seller all sums due by the Buyer and without prejudice to any other right as remedies, may refuse to supply any goods to the Buyer until such guarantees, indemnities and securities are given.

5.6 In accepting any payments from the Buyer, the Seller will not be bound by any conditions or qualifications or terms which the Buyer attached to those payments.

5.7 In the event that the Buyer's payment is dishonoured for any reason the Buyer shall be responsible for any dishonour fees incurred by the Supplier.

6. RETENTION OF TITLE

6.1 It is expressly agreed that ownership is reserved and legal and equitable title to and property in all goods supplied or agreed to be supplied by the Seller is and remains vested in the Seller until payment in full has been received by the Seller in respect of

such goods and all other moneys and obligations owing by the Buyer to the Seller under these terms and conditions have been honoured.

- 6.2 Receipt by the Seller of any form of payment other than cash shall not be deemed to be payment until that form of payment has been honoured, cleared or recognised and until then the Seller's ownership or rights in respect of the goods shall continue.
- 6.3 It is further agreed that:
- Where practicable the goods shall be kept separate and identifiable until the Seller shall have received payment for the goods, and
 - Until such time as ownership has passed from the Seller to the Buyer, the Seller may give notice in writing to the Buyer to return the goods or any of them to the Seller. Upon such notice being given the rights of the Buyer to obtain ownership of the goods shall cease, and
 - If the Buyer fails to return the goods to the Seller, then the Seller and/or its agents may enter upon and into the land and premises owned, occupied or used by the Buyer or any premises where the goods are situated as the invitee of the Buyer and take possession of the goods. The Seller shall not be liable for any loss or damage suffered as a result of any action by the Seller under this provision.
- 6.4 The Buyer will indemnify the Seller on demand in respect of any costs (including any legal costs) expenses or liabilities incurred by the Seller in exercising its rights under this clause. The Seller shall take reasonable care in removing the goods from premises. The Buyer agrees to pay the Sellers costs of any removal of the goods. In the event that the goods have been damaged or have sustained a loss in value (whether determined by further sale by the Seller or otherwise) the Seller will be entitled to compensation by the Buyer for such damage or loss in value.
- 6.5 In the event of any doubt as to whether any goods in the possession of the Buyer belong to the Seller or the Buyer the Seller's decision is final and conclusive except in the case of manifest error. The onus of proving such error is on the Buyer.
- 6.6 Upon assenting to these terms and conditions in writing the Buyer acknowledges and agrees that this contract constitutes a security agreement for the purposes of the Personal Property Securities Act 1999.
- 6.7 The exercise by the Seller of any rights pursuant to this clause or otherwise are without prejudice to any other rights or remedies which the Seller may have against the Buyer or any party or in respect of each item of goods and do not constitute an election so as to disentitle the Seller to exercise any other rights which may be available.

7. AVAILABILITY OF GOODS

If the goods ordered are not held in stock, the Seller may make all reasonable attempts to obtain the goods from the manufacturers. Should such goods for any reason whatsoever be unavailable, the Seller has the right to cancel the contract, and will not be responsible for any loss or damage suffered by the Buyer as a result of the unavailability of the goods

8. DELIVERY AND RISK

- 8.1 Any time limit set by the Buyer for the delivery of the goods by the Seller will only be binding if specifically accepted in writing by the Seller. However, if the Seller is delayed in obtaining the ordered goods or prevented from making delivery due to any

cause whatsoever not necessarily within the control of the Seller, the Seller may cancel or delay (as the case may be) the supply of the goods without incurring any liability to the Buyer or any other person for any loss or damage. Any delay due to circumstances not reasonably within the control of the Seller will not entitle the Buyer to cancel the contract or to refuse to accept delivery.

- 8.2 Irrespective that the title of the goods may not have passed, the risk in the goods passes to the Buyer upon delivery of the goods by the Seller to a common carrier for transit to the Buyer or in the event of delivery by the Seller's servants risk will pass on actual delivery to the Buyer. In the event that the Buyer collects the goods from the Seller, the risk passes immediately to the Buyer once its representative or agent takes possession of the goods.

9. RETURNS AND CLAIMS

- 9.1 If the Seller is ever liable to the Buyer or any other person, the liability of the Seller, whether in contract, tort or otherwise, for any loss, damage or injury arising directly or indirectly from any defect or non-compliance of the goods is, subject to the Consumer Guarantees Act 1993 (if applicable), limited to the replacement of such goods and will in no case exceed the invoice value of such defective or non-complying goods. The Buyer will indemnify the Seller against any claims by the Buyer's servants, agents, customers or other persons in respect of any loss, damage or injury arising from any defect or non-compliance of the goods supplied to the Buyer.
- 9.2 Any claims for short delivery, damage in transit (in the case of delivery by the Sellers servants) or defect, must be notified to the Seller immediately upon delivery of the goods to the Buyer. The Buyer shall afford the Seller an opportunity to inspect the goods within a reasonable period of time if the Seller requests such an inspection. If the Buyer fails to notify the Seller of any claims or returns within 14 days of delivery of the goods, the goods will be deemed to have been delivered and be in accordance with the contract in all respects.
- 9.3 The Seller operates a normal credit program and any claim for the return of goods as aforesaid must be accompanied by the original invoice number. A credit invoice will be initiated and dated upon return of the goods or other conclusion of the claim. No returns will be accepted on cut textile goods, goods that have been tampered with or altered, indent goods, goods made to the Buyers specifications or goods that have not been stored or handled by the Buyer in an improper manner.
- 9.4 The Seller reserves the right to charge a handling fee/ return freight charge, for returns and credits caused by the fault or omission of the Buyer only.

10. GENERAL

- 10.1 Any waiver or variation of any or all of the terms and conditions of this contract by the Seller must be in writing.
- 10.2 The Buyer, and the guarantors, authorise the Seller to collect, retain and use any information about the Buyer or the Guarantors for the purposes of assessing their creditworthiness and to disclose the same to any other credit provider or credit reporting agency for the purpose of providing or obtaining a credit reference, debt collection or default notification.
- 10.3 The Seller shall not be liable for any indirect and/or consequential loss and/or expense suffered by the Buyer arising out of a breach by the Seller of these terms and conditions.
- 10.4 These terms and conditions and the contract to which they apply shall be governed by the laws and jurisdiction of New Zealand.

INDEX BY PRODUCT

NAME	PAGE	NAME	PAGE	NAME	PAGE
A		G		Paddle Handle Slam Locks	30-32
Acoustop Noise Insulation	205	Gas Stays	90-91	Piano Hinge	55
Ados Adhesives	206-207	Gas Stay Brackets	92-93	Plastic Continuous Hinge	55
Aluminium Carrier Profile	57	Gerflor	198-199	Polytranz - polyester transport fabric	192
Aluminium Continuous Hinge	54-56	Glass for Escape Hatch	131	Priority Seating Insert Set	201
Aluminium Louvre Vents	139	Grab Handle	74-75	Pull Handle	74-75
Antiluce Fasteners	62	Gravelly Fasteners	67	Pull Ring	72-73
Anti Theft Emergency Hammer	176-177	Grill Vents	130	Pump - Double Action	116
Aquatranz Flooring/Lining	202	Gudgeon	53	Pump - Rocker Action	116
Auckland Transport Fabrics	186	H		Push Button Lock	66
Aura Fabrics	187-191	Hand Grip	76	PVC Matting	203
B		Hand Strap	76	Q	
Bell Pushes	183-185	Hand Wash Unit	115	Quarter Turn Latch	68
Blinds	172-173	Handles	74-77	R	
Blower Motor Unit	126-127	Heater/Demisters	118-125	Ratchet Blinds	172-173
BMAC Wireless Bell Pushes	184-185	Heater Ducting	129	Rear Door Hinges	40-47
Body Moulding Alum Carrier	112	Hinges	40-55	Recessed Handle	76
Body Moulding Carrier Profile	113	Caravan	50	Recessed Lashing Rings	73
Body Moulding End Cap	112	Continuous	54-56	Recessed Lock	10
Body Moulding Rubber Section	112	De Moli	42-46	Return Filter for Hydraulic Tank	86
Bolt On Hinges	40-41	Drop Side	53	Rocker Action Pump	116
Bonnet Catch Rubber	65	Flat Steel	48-49	Rods - Lock	30
Boot Seal	101	Maintenance Free	50-51	Roof Hatch	131
Bootliner	205	Rear Door	40-44	Roof Vents	132-139
Borflor Vinyl Flooring	200	Sprite	50	Rosette for Push Button Lock	66
Bostik Adhesives	208-209	Stainless Steel	42-47	Rotary End Catches	16
Boston Bootliner and Trunkliner	205	Weld On	40-53	Rubber Bonnet Catch	65
Budget Locks	37	Weld On Bullet	52-53	Rubber Buffers	111
Buffers	111	Holdsworth/Camira Fabrics	186-193	Rubber Channel	108-109
Bullet Hinge	52-53	Horizon	196	Rubber Coin Matting	202
Bus Stopping Signs	182	Hose Adapter	128	Rubber Door Holder	59
Button for Push Lock	66	Hydraulic Tanks	86-87	Rubber Hinge Section	54-57
Button Lock & Rosette	66	I		Rubber Wheelchock	110
C		Inspection Ports	139	S	
Camira Fabrics	186-193	Insulation - Noise	205	Scissor Blinds	172
Cast Door Holder	59	J		Service Unit	130
Catches - Rotary End	16	Jet Vents	128	Slam Locks	31-32
Caravan Door Lock	18	Jet Vent Ducts	128	Southco Latch	68-69
Caravan Hinge	50	K		Spring Bolts	60-61
Caravan Lids	138	Kalori Heater Demisters	118-124	Spring Cupboard Stay	65
Caravan Water Tanks	115-116	L		Spring Loaded Door Holder	59
Caribbean Hull Liner	203	Ladders	89	Sprite Hinge	50
Centrifugal Motor Fans	126	Lashing Rings	72-73	Sponge Strip	108
Channel	108-109	Latch	64-65	Stainless Steel Hinges	42-47
Coach Blinds	172-173	Lights	182	Staples	212
Coin Matting	202	Locks	6	Staple Gun	212
Commonsense Fastener	71	Budget Lock	37	Stayput Fasteners	71
Compartment Locks	36	Caravan	18	Striker Plates	64-67
Compression Locks	23-29	Cast Tipper	19	Striker Pins	31
Container Locks	6-8	Compartment	36	Superline Pump	117
Continuous Hinges	54-56	Compression	23-29	Supersub pump	117
Curtain Fabric	192	De Moli	10-13	Surface Lock	12-13
Curtainside Door Holder	58	Door	6	T	
D		Drop T Handle	20-22	Tipper Locks	19
Delfast Staples	212	End Slam	31	Tipper Pivots	19
Delfast Staple Gun	212	Luggage Compartment	14-16	Tool Boxes	74-85
Door Holder/Retainer	58-59	Mobile Home	18	Truck Door Seal	98-99
Door Seal	98-104	Paddle Handle	30-32	Trunk Liner	205
Door Seal Corner Tabs	99	Plant On Slam	33	T Type Handle	77
Drawerslides	94-97	Rear Door	6	Turn Button	71
Drop Fasteners	62	Rotary End	16-17	Two Way Rod Latch	33
Drop Side Hinge	53	Louvre Vents	139	U	
Drop Side Pin	53	L Type Handle	38, 77	Underseat Heater	123-125
Drop T Handle Locks	20-22	Lucia Curtain Fabric	194	V	
E		Luggage Compartment Locks	14-15	VELCRO Contin Fastener Tape	210-211
Edge Trim	102-103	M		Vigor Fabrics	186-191
Electric Blind	172-173	Maintenance Free Hinge	50-51	Vinyl Flooring	198-201
Electric Heater	118-125	Maxx Fans	132	WXYZ	
Emergency Hammers	176-177	Marine Carpet	204	Waste and Plug	117
Emergency Products	176-177	Mirrors	178-181	Water Tanks	115-116
End Cap Body Moulding	112	Mobile Home Door Lock	18	Weatherstrip	106
End Slam Locks	31-32	Modular Roof Escape Hatch	176	Weld On Bullet Hinge	52-53
Escape Hatch	176	Motor Fans	126-127	Weld On Hinge	40-53
F		Motor for Electric Blind	173	WepII Vinyl Flooring	200
Fastener Tape	210-211	Mounting Brackets for Tool Boxes	84	WepII Vinyl welding Rod	200
Filler Breather for Hydraulic Tank	88	N		Wheelchock	110
Filler Strip	107	Noise Insulation	205	Wireless Bell Push System	184-185
Flat Steel Hinge	48-49	Nylon Door Holder	59		
Flock Sprayed Rubber Channel	108-109	O			
Floor Board Fasteners	63	OJOP Padlockable Latch	65		
Foam	213	Over Centre Catches	63-65		
Fusion Fabrics	187-191	P			
		Pacific Marine Carpet	204		